



Independent 4 Life

£917.03 Inc. VAT

Maxxus Linear Former, Purus Drain for Micro Cement FL Finish, Black Alu. Grid - Choice of Size

Product Code: MC984-89B

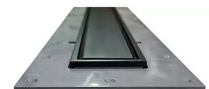
Product Images



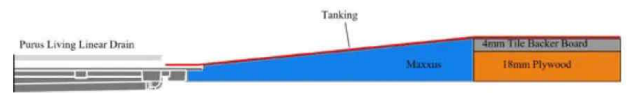
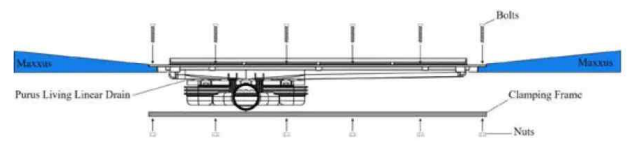
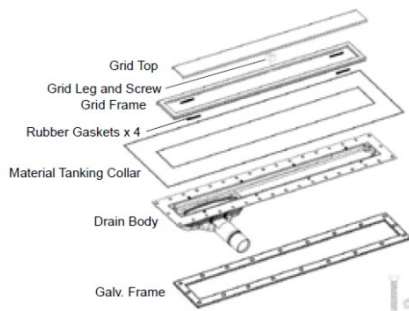
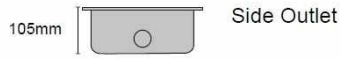
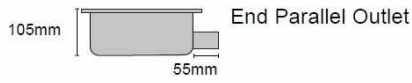
Choice of Purus Waste, with Nood Trap:



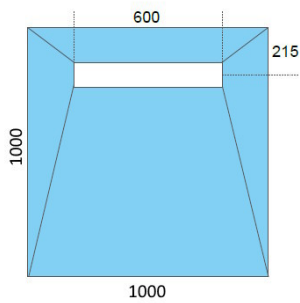
Grid: Anodised aluminium - Black finish



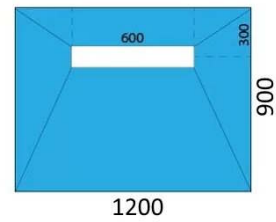
Waste Options:



MV983
1000 x 1000 x 22mm



MC988 - Wide
1200 x 900 x 22mm





Product Options

Floor Former Size (mm)	Price Inc. VAT
1000x1000	£948.64
1200x900 (Wide)	£917.03
1200x900 (Long)	£917.03
1200x1200	£917.03
1400x900	£964.39
1500x900	£917.03
1500x1200	£1,131.78
1600x900	£1,043.58
1800x900	£1,054.46

Additional Options

Purus drain outlet / Depth (mm)		Price
	Low horizontal side outlet - 52mm Depth	£0.00
	Horizontal side outlet - 105mm Depth	£0.00
	Horizontal end parallel outlet - 105mm Depth	£0.00

Description

Maxxus linear shower deck with an adapted Purus Living linear channel drain for wet rooms with a micro cement or resin floor finish. Black brushed aluminium grate that creates a 3mm upstand.

Available in a range of sizes, the Purus gully outlet can be either low side, side or end parallel (side side).

Key benefits:

- For micro cement and resin flooring
- Material Tanking Collar
- Suitable for timber and concrete floors
- Strong and durable base yet only 22 or 24mm thick - refer to plan drawings for information
- Vacuum formed GRP
- Made from 50% recycled materials and is 100% recyclable
- Solid right through - no pockets or hollow cavities
- Creates a level access floor with no step
- Built in gradients for water removal to the waste
- Accepts 470kg (75 stone) loading over 400mm joist centres
- Self-supporting - no requirement for additional support underneath
- Removable sprung NOOD water trap
- The NOOD no-odour water trap which will not allow any foul air to escape even if the gully dries out
- Black brushed aluminium grid that creates a 3mm upstand
- Choice of size

Installation:

- May be trimmed down to any size
- Fast 1 hour install - laid straight on joists no under boarding needed
- Totally flat underside and recessed screw holes allow for easy fixing
- No release agent to inhibit bonding of the micro cement and resin floor finish

Includes Purus Living Linear drain with three outlet types with Purus NOOD traps:

- 600mm or 800mm lengths depending on the floor former size
- Plastic-bodied unit
- Choice of three gully outlets each with a ABS pipe reducer 2" to 1½" (50mm to 40mm):
 - - Low Side Outlet up to 32 ltr/min flow rate - depth (mm): 52
 - - End Parallel Outlet up to 72 ltr/min flow rate - depth (mm): 105
 - - Side Outlet up to 72 ltr/min flow rate - depth (mm): 105
- Please select above
- Note: Download PDF installation instructions for more information

Grid technical detail:

- Adaptor grid for Purus Living Linear drain for use with micro cement or resin floor finishes
- Manufactured from high grade anodised aluminium with a black finish
- Creates a 3mm upstand
- Designed and manufactured by Wetroom Innovations Ltd

Warranty:

- Maxxus floor formers come with a 25-year manufacturer guarantee

Manufacturer product codes:

- MC983B, MC988B, MC984B, MC987B, MC985B, MC989B, MC986B, MC981B, MC982B

Please note:

- The Micro Cement / Resin flooring materials and tanking kit are not included

Additional Information

Manufacturer	Maxxus
Brand / Model	Maxxus
Size (mm)	1000x1000, 1200x900 (Wide), 1200x900 (Long), 1200x1200, 1400x900, 1500x900, 1500x1200, 1600x900, 1800x900
Floor Former Thickness (mm)	22
Waste Option / Floor Finish	Purus Linear 52mm Low Side Outlet - Micro Cement, Purus Linear 105mm Side Outlet - Micro Cement, Purus Linear 105mm End Parallel Outlet - Micro Cement
For Floor Finish	Micro Cement, Resin Floors
Optional Waste Type	Gravity Waste
Flow Rate / l/min	32, 72