



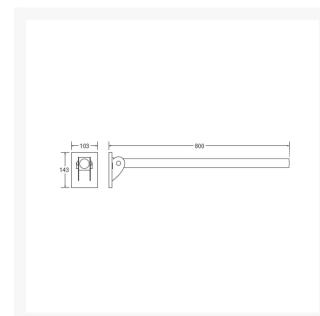
Independent 4 Life

AWS 800mm Support Arm, Concealed Fixings - Specify Your RAL Colour

£270.54 Inc. VAT

Product Code: AWS-0140-RAL

Product Images



Additional Options

Required RAL colour

£0.00

Description

The AWS Regent stainless steel 800mm folding support arm with a friction hinge, concealed fixing cover for a sleek and stylish appearance.

Designed for use alongside WCs for extra support, and for use in shower areas where there is a requirement for a well designed substantial rail for the safety of all users.

Suitable for use with toilet pans projecting 700 to 750mm from the wall.

Powder coated polyester finish to your specified RAL colour.

Constructed from high quality materials, the 35mm diameter gives the rail increased strength and stability.

Key benefits:

- 304 grade stainless steel drop down support arm
- Ideal for use in wet or damp areas
- Easy to use friction action
- Stainless steel backplate for strength and durability
- Backplate bolt holes pre-drilled for M8 bolts (fixings not included)
- Stainless steel cover plate to conceal the wall fixings
- Made in Britain
- Doc M compliant
- Powder coated polyester finish to your specified RAL colour
- Matching AWS Regent grabrails and accessories also available

Technical details:

- Length (mm): 800
- Diameter (mm): 35
- Strong tubular construction
- Concealed cover for fixings
- Tested to 120kg in vertical and 45 degree positions (this does not include wall fixings)

Warranty:

- 10 year manufacturer warranty

Please note:

- This is custom made to your RAL colour finish and is non-returnable
- Fixings not included - the installer should select the correct fixing based on wall type

Additional Information

Manufacturer	AWS
Length (mm)	800
WC Projection (mm)	700, 750
Colour	Specify your RAL Colour
Surface Finish	Smooth, Custom RAL Colour
Type	Hinged Arm Support
Material	Stainless Steel - Grade 304
Mounting	Wall
Arm Control	Friction Hinge
Fixings	Concealed
Adjustable	Fixed Height (No Adjustment)