



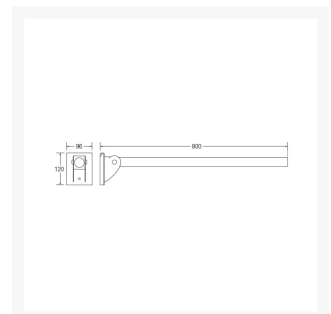
Independent 4 Life

# AWS Removable 800mm Friction Single Hinged Support Rail, Concealed Fixings - Specify Your RAL Colour

£365.71 Inc. VAT

Product Code: AWS-0142-RAL

## Product Images



RAL Colours											
RAL 1004 Orange	RAL 1017 Yellow-Orange	RAL 1018 Yellow	RAL 1021 Yellow-Green	RAL 1023 Yellow-Green	RAL 3000 Red						
RAL 3001 Red	RAL 3005 Red	RAL 3016 Red	RAL 3017 Red	RAL 3020 Red	RAL 4002 Purple						
RAL 5002 Blue	RAL 5005 Blue	RAL 5008 Blue	RAL 5010 Blue	RAL 5012 Blue	RAL 5015 Blue						
RAL 5016 Blue	RAL 5018 Blue	RAL 5019 Blue	RAL 5021 Blue	RAL 5023 Blue	RAL 5024 Blue						
RAL 6002 Green	RAL 6005 Green	RAL 6007 Green	RAL 6009 Green	RAL 6011 Green	RAL 6012 Green						
RAL 6014 Green	RAL 6018 Green	RAL 6019 Green	RAL 6021 Green	RAL 6023 Green	RAL 6024 Green						
RAL 7002 Grey	RAL 7004 Grey	RAL 7009 Grey	RAL 7010 Grey	RAL 7015 Grey	RAL 7016 Grey						
RAL 7018 Grey	RAL 7019 Grey	RAL 7020 Grey	RAL 7021 Grey	RAL 7022 Grey	RAL 7023 Grey						
RAL 8002 Black	RAL 8004 Black	RAL 8005 Black	RAL 8007 Black	RAL 8009 Black	RAL 8010 Black						
RAL 9002 White	RAL 9003 White	RAL 9004 White	RAL 9005 White	RAL 9006 White	RAL 9007 White						

Please note because of your screen colour settings this chart should be used as a guide only.

## Additional Options

---

Required RAL colour

£0.00

## Description

---

The AWS Regent stainless steel removable 800mm folding support arm with a friction hinge, with concealed fixings and discrete cover plate for when the support rail is not required.

Ideal for flexible installations when the support rail is not always required, such as hotel rooms, guest houses and private homes.

Designed for use alongside WCs for extra support, and for use in shower areas where there is a requirement for a well-designed substantial rail for the safety of all users.

Suitable for use with toilet pans projecting 540 to 600mm from the wall.

Powder coated polyester finish to your specified RAL colour.

Constructed from high quality materials, the 35mm diameter gives the rail increased strength and stability.

### Key benefits:

- 304 grade stainless steel drop down support arm
- Ideal for use in wet or damp areas
- Easy to use friction action hinge
- Stainless steel backplate for strength and durability
- Backplate bolt holes pre-drilled for M8 bolts (fixings not included)
- Removable cover plate, manufacture from stainless steel hides the wall fixing plate
- Made in Britain
- Doc M compliant
- Powder coated polyester finish to your specified RAL colour
- Matching AWS Regent grabrails and accessories also available

### Technical details:

- Length (mm): 800
- Diameter (mm): 35
- Strong tubular construction
- Locking cover plate for when rail not required
- Tested to 120kg in vertical and 45 degree positions (this does not include wall fixings)

### Warranty:

- 10 year manufacturer warranty

### Please note:

- Fixings not included - the installer should select the correct fixing based on wall type

### Please note:

- This is custom made to your RAL colour finish and is non-returnable
- Fixings not included - the installer should select the correct fixing based on wall type

## Additional Information

---

Manufacturer	AWS
Length (mm)	800
WC Projection (mm)	540/550, 600
Colour	Specify your RAL Colour
Surface Finish	Powder Coated - RAL Colour
Type	Hinged Arm Support
Material	Stainless Steel - Grade 304
Mounting	Wall
Arm Control	Friction Hinge
Fixings	Concealed
Adjustable	Removable