



Independent 4 Life

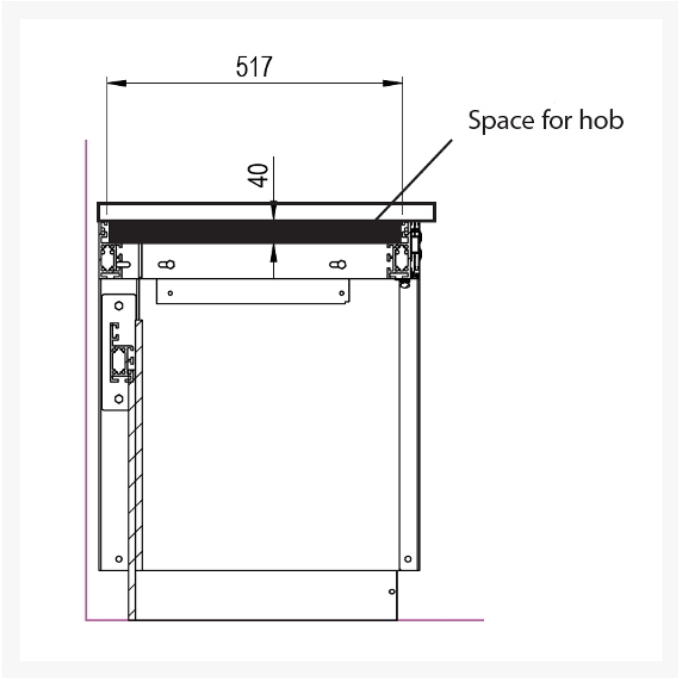
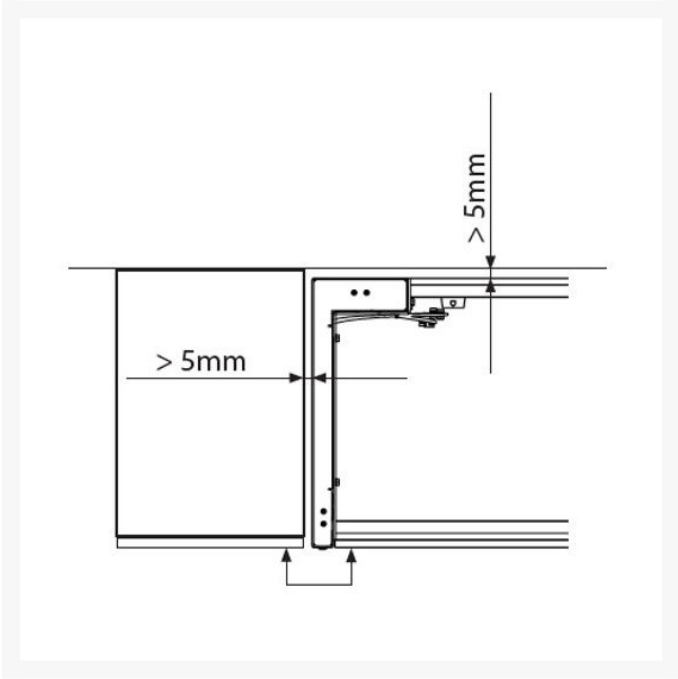
Granberg Sidelift 6400 Height ADJ Worktop & Cabinet Lift 790-990mm - Anthracite, RAL 9004

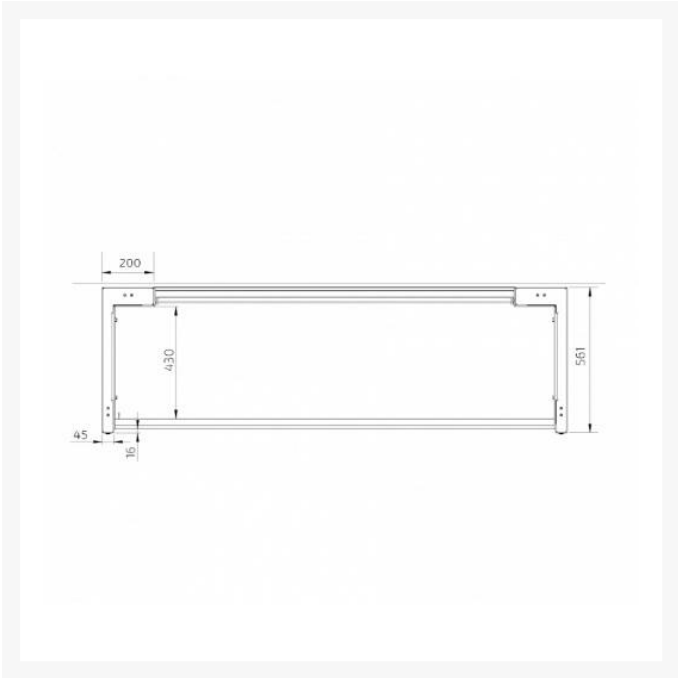
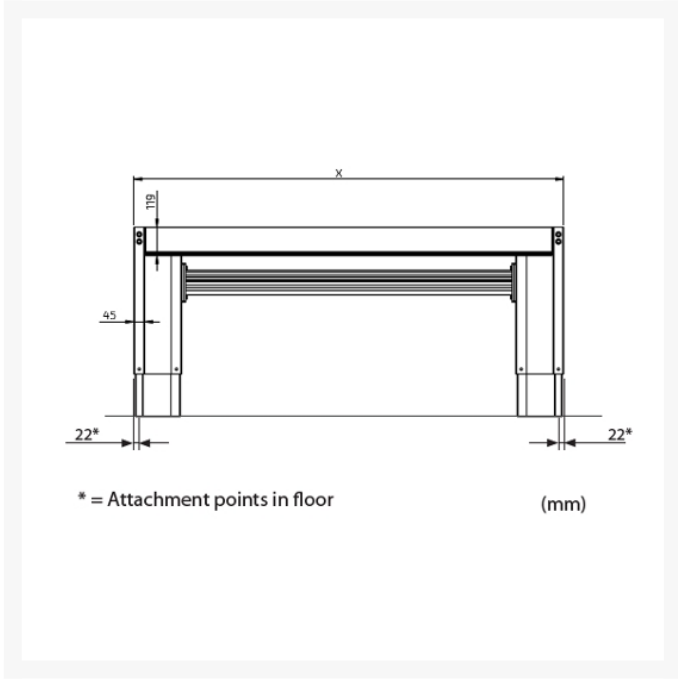
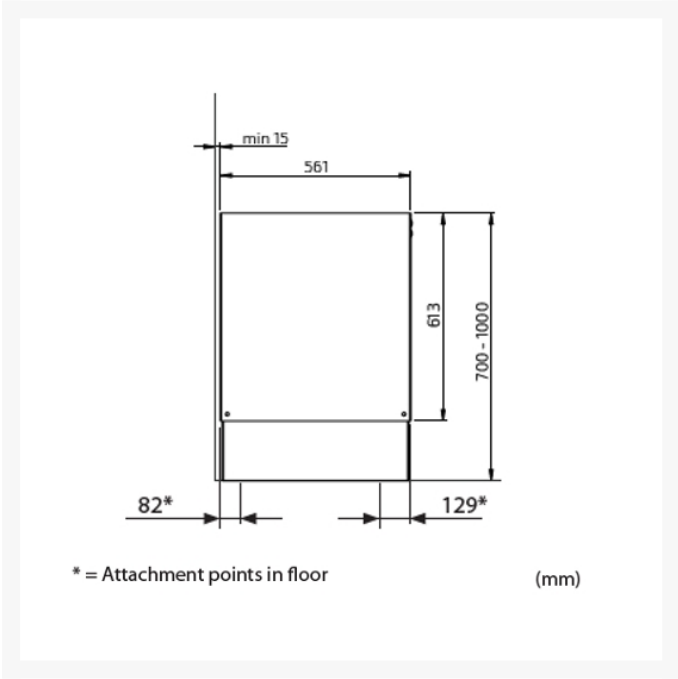
£5,067.36 Inc. VAT

Product Code: 6400HA-990-07

Product Images







Product Options

| Frame Width (mm) | Price Inc. VAT |
|------------------|----------------|
| 790 | £5,067.36 |
| 890 | £5,067.36 |
| 990 | £5,067.36 |

Additional Options

| | | |
|--|---|-------|
| Select your Facia Front (supplied pre-fitted) | Not required - Fitting own to match kitchen | £0.00 |
| | Anodised Aluminium | £0.00 |
| | White Powder Coated Aluminium RAL 9003 | £0.00 |

Description

The Granberg Sidelift 6400 is an electric motorised worktop lift, that creates a straight ergonomic kitchen worktop lifting system which everyone can use comfortably.

The Hanging cabinets can be hung under the entire lift or under certain sections. The worktop lift is powered by heavy duty motors with 400kg of lifting power located at either end on the short sides.

The motors work steplessly with 300mm of adjustment height, moving the worktop quickly and quietly to the desired height from a range of 700-1000mm from the floor, excluding the worktop.

If needs and requirements change, the optional Hanging Cabinets can easily be removed to provide space. The cabinets can be re-mounted just as easily.

The lift is supplied with a reliable safety system that guarantees safe operation without any risk of crushing. The lift is manufactured to order to facilitate easy installation.

This version is the Sidelift 6400 in Anthracite (RAL 9004) finish, and is available in widths between 790-990mm.

Key benefits:

- Height adjustable worktop lift
- Electric operation
- Cabinets can be mounted onto the lift if desired
- 103mm high facia front
- Lift is prepared in the factory to facilitate easy installation on site
- Simple "plug and play" electronics and motor system
- Anthracite RAL 9004 finish

Includes:

- Factory-mounted aluminium system
- 2x Floor-mounted motors
- 2x Mini control buttons, mounted left and right
- Fittings for worktop

Facia front:

- Factory fitted 103mm high aluminium frame front cover
- Width of facia front = width of lift -94mm
- Height of facia front = 103mm
- Depth of facia front = 16mm
- Choice of Anodised Aluminium or White Powder Coated Aluminium RAL 9003

Recommended accessories:

- Cover panels - (Product code: 6262-240-01)
- Cover panels fitting kit - for hiding water and foul drainage pipes (Product code: 6260-008)
- Hanging cabinets, Hanging brackets and Safety Plates
- Shallow bowl kitchen sinks, 120mm max. depth recommended
- Cooking hob
- Rear edge trim
- Single channel remote control (Product code: 61385)
- Up to 5x channel remote control, if fitting other Granberg systems (Product code: 6138x)

Technical details:

- Installation: Floor mounted
- Height adjustment: Motorised, steplessly adjustable 300mm (700-1000mm excl. worktop)
- Speed level (mm/sec): 20
- Operation: Mini control buttons, located on the left and right side of motor units
- Electrical connection: 2x 230V socket outlets / 50Hz / 10A (5A+5A)
- Safety: Continuous safety stop strip located under the front fascia
- If mounting the optional hanging cabinets: The Safety Plates should be fitted to the underside of the cabinet(s)
- Plumbing connections: Connection is made with flexible hoses (not included)
- Lifting force (kg): 400
- IP-class: IP 20
- Width worktop: Width = width of the lift
- Worktop depth: 15mm shallower than worktops on fixed cabinets
- Sink bowls with a maximum depth of 120mm can be integrated
- Minimum 220mm free width required at each end, if installing a sink and or hob
- Frame depth (mm): 561
- Required space to wall / adjoining cabinet (mm): 5
- Required space to wall (for tiles) (mm): 15
- Tiling: From 700mm above floor (alternatively all the way down to the floor)
- Delivery modules: 1 package with motor units. 1 package with length-dependent beams
- Materials: Motor units in lacquered steel (S235JRG2). Aluminium beams

Warranty:

- 2 year manufacturer warranty

Please note:

- Due to the custom nature of this product, it is made-to-order and is therefore non-returnable

Manufacturer product codes:

- 6400HA-079-07, 6400HA-089-07, 6400HA-099-07

Additional Information

| | |
|------------------------|------------------------|
| Manufacturer | Granberg |
| Mounting / Model | Floor / Sidelift 6400 |
| Max. Load (kg / St) | 400 / 62.9 |
| Method of Operation | Electric - Push Button |
| Height Adjustment (mm) | 300 |
| Mounting | Floor Mounted |