



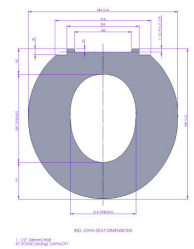
Independent 4 Life

Closomat Bariatric Palma Vita Shower Toilet, with Options

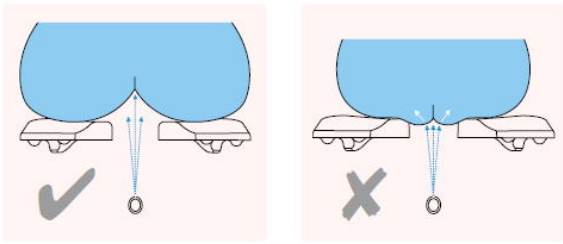
From: £3,804.05
To: £6,097.69
Inc. VAT

Product Code: PB0001

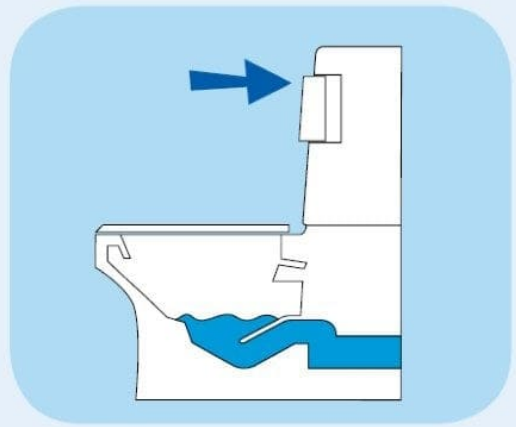
Product Images



A larger body can often cause the person to sit too far forward, so their bottom does not cover the seat aperture. If this is not achieved, the person can feel 'perched' on the toilet causing instability.



Buttocks need to be supported but slightly parted to enable effective bowel evacuation and cleaning.



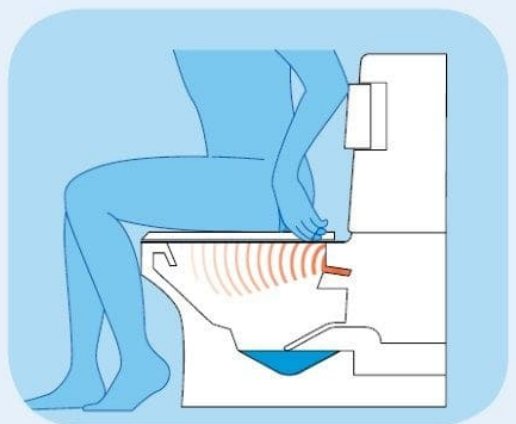
Flushing

Press either elbow pad whilst standing for conventional flush.



Washing

Press elbow pad whilst seated and hold down for approximately 10-15 seconds, flushing and warm water washing will then take place.

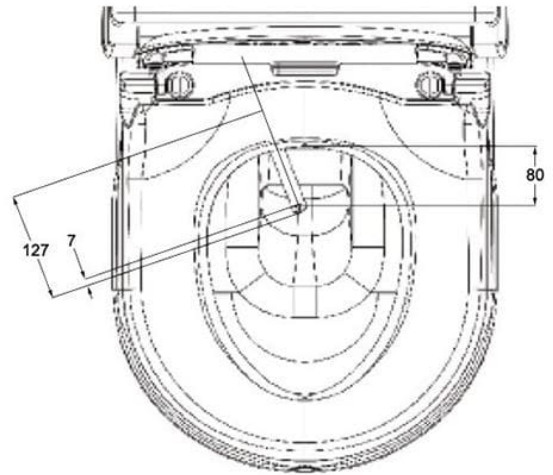


Drying

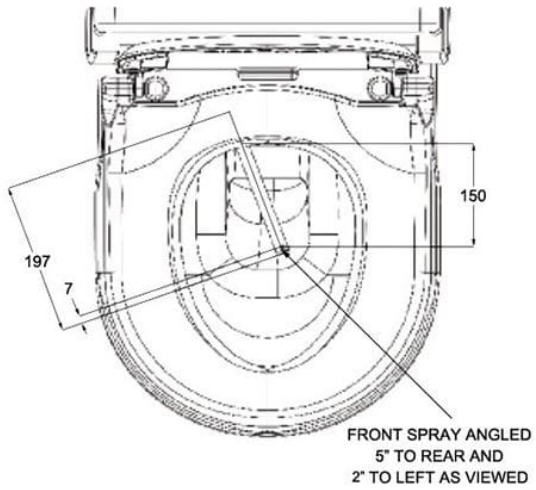
Warm air drying automatically follows when elbow pad is released.



Standard Douche Arm (Single spray)



Extended Single Spray Douche Arm



Product Options

Shower Toilet

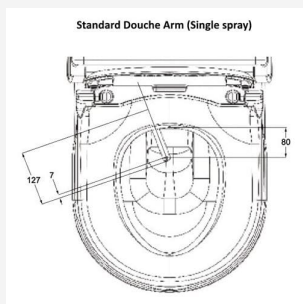


Closomat Bariatric Palma Vita Shower Toilet

£3,170.04

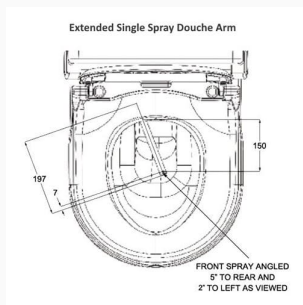
Closomat Bariatric Palma Vita shower toilet, with 1-year breakdown cover. Automatic WC with warm water washing, flushing and warm air-drying functions. Optional extras to suit the end-user. British made. WRAS approved. Safe working load 362kg / 57 stone. Price includes delivery and commissioning by Closomat once installed. Please note the commissioning is only available for shower toilets installed in UK mainland addresses.

Douche Arm



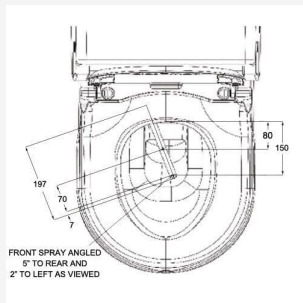
Standard Douche Arm

Standard single spray douche arm, anal douche washing for Closomat Palma shower toilets. Standard douche arm for children and average adult users.



Extended Single Spray Douche Arm

Extended single spray douche arm, anal douche washing for Closomat Palma shower toilet. Douche arm with an extended arm for larger and taller users.



Extended Twin Spray (Female Douche Arm)

Closomat extended twin spray douche arm, anal douche, and vaginal washing for Closomat Palma shower toilets. For female users who required a lady shower.

Controls



Touch Sensitive Hand / Foot Switch (TSHS) with Wall Bracket

£198.46

The Touch Sensitive Hand / Foot Switch (TSHS) is for users who are unable to use the standard elbow pads on the cistern. Air pressure operated, no electricity is required, only very light pressure is needed to start the cleaning, washing, drying, and flushing cycle. Supplied pre-fitted and ready to use. Includes wall mounting bracket.



Infrared Proxy Switch

£198.46

Passive technology, Closomat infrared proxy switch, for users with little or no grip, to activate the WC wash, dry and flush cycle, simply by passing their hand / body-part in front of the infrared sensor.



Handheld Infrared Remote Control, with Wall Bracket

£460.61

This simplistic 'push and go' style infrared control provides a versatile option lending itself particularly for use by carers for Closomat Palma Vita toilet flushing. Includes wall bracket.



Seat Sensor Bypass - For Shower Chairs & Hoists - Factory Setting

The seat sensor bypass allows use of an overhead hoist or shower chairs, this overrides the sensor detection of a user sitting on the Palma Vita shower toilet.

Concealed Plinths



25mm Concealed Shaped Plinth

£78.46

The plinth raises the whole shower toilet unit, ideal for the taller user. Concealed by the toilet's height-adjustable skirt. Also, for use with a shower chair and to aid wheelchair transfers. Compatible with the Integrated support arms. 25mm height.



50mm Concealed Shaped Plinth

£78.46

The plinth raises the whole shower toilet unit, ideal for the taller user. Concealed by the toilet's height-adjustable skirt. Also for use with a shower chair and to aid wheelchair transfers. Compatible with the integrated support arms. 50mm height.



75mm Concealed Shaped Plinth

£78.46

The plinth raises the whole shower toilet unit, ideal for the taller user. Concealed by the toilet's height-adjustable skirt. Also for use with a shower chair and to aid wheelchair transfers. Not compatible with the integrated support arms. 75mm height.



100mm Concealed Shaped Plinth

£78.46

The plinth raises the whole shower toilet unit, ideal for the taller user. Concealed by the toilet's height-adjustable skirt. Also for use with a shower chair and to aid wheelchair transfers. Not compatible with the integrated support arms. 100mm height.

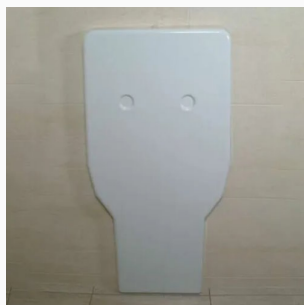
Infill Panel



25mm Rear Wall Infill Panel

£115.38

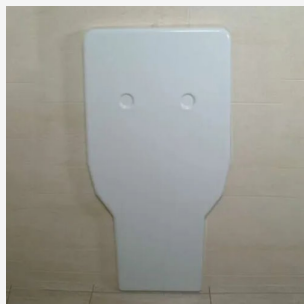
25mm depth wall infill panel has been designed to aid installations where pipework inhibits the Closomat from being positioned back to the wall. Infill panel is 100mm taller than Closomat. It must be cut from bottom to suit finished toilet height.



50mm Rear Wall Infill Panel

£115.38

The 50mm depth wall infill panel has been designed to aid installations where pipework inhibits the Closomat from being positioned back to the wall. Infill panel is 100mm taller than Closomat. It must be cut from bottom to suit finished toilet height.








75mm Rear Wall Infill Panel

£115.38

75mm depth wall infill panel has been designed to aid installations where pipework inhibits the Closomat from being positioned back to the wall. Infill panel is 100mm taller than Closomat. It must be cut from bottom to suit finished toilet height.

UK Mainland - Warranty and Servicing

	Closomat 1st Year Warranty (Inc. Post-Installation Commissioning) Post-installation commissioning and user familiarisation (excludes installation) by Closomat, plus 1st year warranty. Included in the purchase price. UK Mainland only. Not available for Islands and off-shore - please contact us if you are unsure.	
	Closomat Additional 1 Year Servicing and Breakdown Cover 1 year service contract which includes one annual service visit and fault callouts as required. UK Mainland only. Not available for Islands and off-shore - please contact us if you are unsure.	£215.00
	Closomat Additional 2 Year Servicing and Breakdown Cover 2-year service contract which includes one annual service visit and fault callouts as required. UK Mainland only. Not available for Islands and off-shore - please contact us if you are unsure.	£430.00
	Closomat Additional 3 Year Servicing and Breakdown Cover 3-year service contract which includes one annual service visit and fault callouts as required. UK Mainland only. Not available for Islands and off-shore - please contact us if you are unsure.	£645.00
	Closomat Additional 4 Year Servicing and Breakdown Cover 4-year service contract which includes one annual service visit and fault callouts as required. UK Mainland only. Not available for Islands and off-shore - please contact us if you are unsure.	£860.00

Description

Closomat Bariatric Palma Vita shower toilet is a floor standing automatic shower toilet that provides washing, flushing and warm air drying from one simple operation.

The stylish, ergonomic design has a more comfortable opening and a luxurious contoured sitting surface that is roomier than any other toilet seat on the market offering better stability, comfort and safety.

The Bariatric version of the popular Palma Vita, features a larger seat with a safe working load of 362kg / 57 stone.

User-friendly, the Bariatric Palma Vita is also ideal for those who have restricted use of their hands.

By reducing hand contact, it also improves hygiene for all users.

Key benefits:

- Combines functions of a WC and bidet with addition of drying air
- Improves personal hygiene - cleaning with warm water not paper
- Simultaneous flushing and washing (a unique feature)
- Unique one-touch system - allows the user to operate the toilet simply by pressing and releasing the elbow pads mounted either side of the cistern
- Customisable to suit everyone's needs
- Height adjustable skirt elegantly conceals the raised plinths
- Can be always used as a conventional WC
- UK made in a dedicated plant
- Note: The integrated support arms and accessories of the standard Palma Vita are not available on this Bariatric model

Douche arm selection:

- Standard douche arm
- Extended single spray douche arm - for the larger user
- Extended twin spray douche arm - for female users
- All douche arm options are included in the price of the Bariatric Palma Vita
- For more information, please refer to the 'Douche Arms Specification Guide' in the 'Installation and Help Guides' section above

Big John Bariatric toilet seat:

- Contoured white seat, without Lid
- Seat width x depth: 19" / 486mm x 60mm
- Seat opening (L x W): 287 x 214mm
- Safe working load: 362kg / 57St
- Non-slip bumpers
- Contoured seat
- Seat depth: 60mm
- Durable, stainless-steel hinges
- Made from high-impact ABS that is both stain and chemical resistant
- For more information, please refer to the image gallery and the 'Installation and Help Guides' section

Optional extras:

Touch Sensitive Hand / Foot Switch

- This device is for users who are unable to use the standard elbow pads

www.independent4life.co.uk | info@independent4life.co.uk | Tel: 0800 500 3001 | VAT No: 942447711

EORI GB942447711000

- Air operated, no electricity is required to operate it, only very light pressure
- Includes wall mounting bracket
- Can be placed on the floor or handheld

Proxy Switch

- Making use of "passive technology", the proxy switch allows users with little or no grip to activate the unit, simply by pressing their hand / body part in front of the sensor

Infrared Remote Control

- This simplistic 'push and go' style infrared control provides a versatile option which is ideal for use by carers
- Includes wall mounting bracket

Concealed Floor Plinths

- Plinths for raising the toilet height
- For use with a shower chair or to aid direct wheelchair transfers
- The plinth is concealed by the toilet's height adjustable skirt

Rear Infill Panel

- The infill panel has been designed to aid installations where pipework inhibits the Bariatric Palma Vita from being located against the wall
- The infill panel is 100mm taller than the Bariatric Palma Vita - it must be cut from the bottom to suit the toilet height
- Available in a range of thickness sizes: 25, 50 and 75mm

Warranty and commissioning:

- 1 year manufacturer warranty as standard
- Options to increase the warranty - please select above if desired
- Commissioning by Closomat is included in the price - once installed, please contact them directly to arrange a site visit
- Warranty period starts once commissioning has been completed

Technical details:

- Overall dimensions (mm): 869 H x 486 W x 745 D
- Installed height to the toilet pan rim (mm): 410
- Installed height to the Bariatric Palma Vita toilet seat (mm): 470
- Safe working load: 362 kg / (57 stone)
- Electric supply: 220/240v 50hz single phase AC supply
- Supplied with 1000mm long, three core (live/neutral/earth) insulated white control flex-cable
- Can be fitted in Zone 1 of a bathroom or Wetroom
- Electric loading: 4.5A-4.9A, maximum power 1300 watts
- A 10A fused spur is required for isolation with an earth connection
- A fused spur is required for isolation with an earth connection
- IP Rating: IPX4
- WRAS approved
- Requires 15mm COLD inlet feed from mains supply or a storage vessel
- Flow rate - 8 litres/minute
- Cistern capacity (litres): 6-9, set at 6 litres
- Boiler capacity (litres): 1.7
- Overflow: Internal overflow which discharges into the WC pan
- Pan has a horizontal spigot standard 100mm diameter outlet, suitable for standard pan connection

fittings

- In the event of a power failure, the Bariatric Palma Vita operates like a standard flush toilet

Soil connections suitable for the Bariatric Palma Vita (are not included):

- S-Trap (vertical fall) wall to centre of pipe from 70-230mm max.
- P-Trap (horizontal) floor to centre of pipe 200mm max.
- The Bariatric Palma Vita is suitable for all turned trap outlets, through purpose made removable side covers on lower level
- Download the PDF Installation Instructions for more information

Please note:

- Due to the custom nature of this item and hygiene reasons this product is non-returnable
- The Bariatric Palma Vita must not be in direct line with the shower spray in a bathroom or shower room installation
- Some form of partition between a shower and the Bariatric Palma Vita is advisable to prevent any water spraying directly onto the equipment
- A shower should not be used in conjunction with the Bariatric Palma Vita - under no circumstances should a user shower whilst seated on the Bariatric Palma Vita

Additional Information

Manufacturer	Closomat
Brand / Model	Closomat / Bariatric Palma Vita
Style / Type	Care - Floor-standing Shower Toilet
Max. Load (kg / St)	362 / 57
Installed WC Pan Height (mm)	470, 495, 520, 545 & 570 (With Seat)
Warranty	1 Year Standard, Paid Upgrade 1 - 4 Years
Flush Operation	Elbow Push Pads, OPT - Remote Control, OPT - Infrared Proxy Switch, OPT - Hand Touch Foot Switch (HTFS), OPT - SHW Chair Seat Sensor Bypass
Seat Length (mm)	746 to Pan Front
Seat Width (mm)	486
Technologies	OPT - Rear Wash Douche, OPT - Extended Rear Wash Douche, OPT - Rear & Feminine Wash Douche, Warm Air Dryer, Simultaneous Flushing & Washing, Adjustable Water Temp, Adjustable Flow Rate, Warm Water Wash Cycle, Pulsating Spray, Oscillating Spray, Self-cleaning Function, OPT - Rear Infill Panels, OPT - Concealed Plinths
Approvals	WRAS Approved