



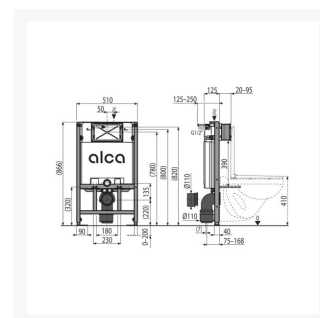
Independent 4 Life

Alca 0.85m Pre-Wall Frame & Cistern, Front Actuator, (125mm Deep) WRAS Air Gap

£273.00 Inc. VAT

Product Code: AM101/850-0005

Product Images



Description

Alca self-supporting frame for mounting wall hung WC pans with an installation depth of 125mm, in front of a support wall or within a partition framed wall with a plasterboard finish and a floor thickness of 0-200mm.

The front actuator is compatible with all ALCA Basic Flush Plates.

www.independent4life.co.uk | info@independent4life.co.uk | Tel: 0800 500 3001 | VAT No: 942447711

EORI GB942447711000

For toilet pans with a connecting pitch of 180mm or 230mm. Prepared for connecting a bracket with a DG 1/2" conversion for bidet seats, shower toilets, and sprays.

Key benefits:

- Dual flush independently adjustable with hygienic reserve
- Compatible with ALCA Basic Flush Plates; not Sensor and NIGHT LIGHT
- Polystyrene insulation prevents condensation forming and dampens vibrations
- Installation depth 125mm
- Installation depth adjustable from 20-95mm
- Tilt the cistern for easy installation in timber frames
- Can be installed in a partition, in front of the bearing wall
- The fitted frame should be covered with a plasterboard panel
- Adjustable anchor feet and a spring-lock system, range of 0-200 mm
- The service opening cover simplifies assembly and prevents the penetration of moisture and impurities
- Suitable for installation of remote or sensor flushing
- The cistern is made of one piece, thus ensuring 100% impermeability
- Sliding rail holder for the waste connector can be set to eight positions between 0–93 mm
- Water supply from the rear/top
- Angle valve with the ability to connect to the Mepla piping system
- Dispenser for WC cistern tablets included
- Maintenance work without using any tools
- Frame material: powder-coated metal

Approvals:

- Kiwa Approved
- WRAS Air Gap

Scope of supply:

- Fixings for WC pan: threaded rod 2x M12, 4x washers, 2x covers, 2x nuts, & 2x thread protectors
- Fixation set: 4x screws Ø8×60m, and 4x dowels Ø12
- Elbow waste connector HT 90/90 polyethylene, PE-HD
- 2-piece cover of the service opening is simply adjustable
- Cistern with fill and flush valve
- Waste reduction HT 90/110 polyethylene, PE-HD
- End-caps for protecting the connecting holes during installation of the system
- Set for inserting toilet tablets
- Self-supporting frame
- Fittings 1/2" water connection with the integrated angle valve Schell 1/2–3/8"
- Drainage seal, PP connector, connector seal
- Inlet seal, PP outlet, wrapping seal

Warranty:

- 15 year manufacturer

Additional Information

Manufacturer	Alca
Flush Plate Type	Alca Flush Plate Basic , Not Alca Sensor Flush Plate, Not Alca Night Light Flush Plate
Frame Size (mm)	Frame Width: 510, Frame Height: 866
Wash/Dry Bidet/Toilet - Compatible	Yes
Style / Type	Wall-hung WC
Max. Load (kg / St)	400 / 62.9
Technical Info.	Water Connection: G1/2", Water Pressure: 0.05 - 1.6 MPa, Recommended Water Pressure: 0.3 - 0.5 MPa, Big Flush: 6 - 9 l, Small Flush: 2.5 - 3.5 l, Factory Setting - Large Flush: 6 l, Factory Setting - Small Flush: 3 l, Hygienic Reserve: 3 l, Cistern Water Volume: 9 l
Installed WC Pan Height (mm)	410
Warranty	15 years
Flush Operation	Front Actuator
Approvals	WRAS Approved, Kiwa Approved