



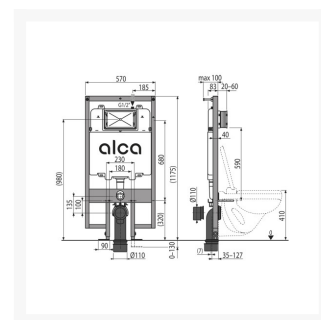
Independent 4 Life

Alca 1.12m Slim Pre-Wall Frame & Cistern, Front Actuator, 83 to 100mm Max. Depth

£289.80 Inc. VAT

Product Code: AM1101/1200

Product Images



Description

Alca Slim self-supporting frame for mounting wall hung WC pans with an Installation depth of 83 to 100mm, frame width 570mm x 1175mm high, in front of a support wall or within a partition framed wall with a plasterboard finish and a floor thickness of 0-100mm.

Compatible all ALCA flush plates: Basic, Sensor and NIGHT LIGHT.

For toilet pans with a connecting pitch of 180mm or 230mm.

Key benefits:

- Dual flush independently adjustable with hygienic reserve
- Compatible all ALCA flush plates: Basic, Sensor and NIGHT LIGHT
- Polystyrene insulation prevents condensation forming and dampens vibrations
- Visible marks for both levelling and the centerline
- Installation depth 83mm
- Installation depth adjustable from 20-60mm
- Tilt the cistern for easy installation in timber frames
- Can be installed in a partition, in front of the bearing wall
- The frame allows the anchoring to a separate sufficiently strong plasterboard partition, in front of the bearing wall
- The fitted frame should be covered with a plasterboard panel
- Adjustable telescopic feet, range of 0-100mm
- The service opening cover simplifies assembly and prevents the penetration of moisture and impurities
- The cistern is made of one piece, thus ensuring 100% impermeability
- Water supply from the rear/top
- Angle valve with the ability to connect to the Mepla piping system
- Dispenser for WC cistern tablets included
- Maintenance work without using any tools
- Frame material: powder-coated metal

Approvals:

- Kiwa Approved

Scope of supply:

- Fixings for WC pan: threaded rod 2x M12, 4x washers, 2x covers, 2x nuts, & 2x thread protectors
- Fixation set: 4x screws Ø8×60m, and 4x dowels Ø12
- Elbow waste connector HT 90/90/110 polyethylene, PE-HD
- 2-piece cover of the service opening is simply adjustable
- Cistern with fill and flush valve
- End-caps for protecting the connecting holes during installation of the system
- Set for inserting toilet tablets
- Self-supporting frame
- Fittings 1/2" water connection with the integrated angle valve Schell 1/2-3/8"
- Drainage seal, PP connector, connector seal
- Inlet seal, PP outlet, wrapping seal

Warranty:

- 15 year manufacturer

Additional Information

Manufacturer	Alca
Flush Plate Type	Alca Flush Plate Basic , Alca Sensor Flush Plate, Alca Night Light Flush Plate
Frame Size (mm)	Frame Width: 570, Frame Height: 1175
Wash/Dry Bidet/Toilet - Compatible	No
Style / Type	Wall-hung WC
Max. Load (kg / St)	400 / 62.9
Technical Info.	Water Connection: G1/2", Water Pressure: 0.05 - 1.6 MPa, Recommended Water Pressure: 0.3 - 0.5 MPa, Big Flush: 6 - 9 l, Small Flush: 2.5 - 3.5 l, Factory Setting - Large Flush: 6 l, Factory Setting - Small Flush: 3 l, Hygienic Reserve: 3 l, Cistern Water Volume: 9 l
Installed WC Pan Height (mm)	410
Warranty	15 years
Flush Operation	Front Actuator
Approvals	Kiwa Approved