



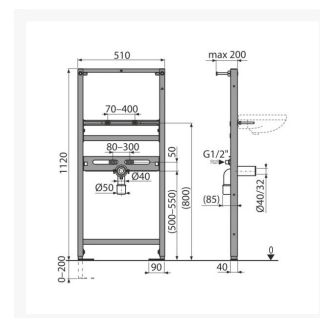
Independent 4 Life

# Alca 1.12m Pre-Wall Mounting Frame for Washbasin, 200mm Max. Depth

£168.76 Inc. VAT

Product Code: A104/1120

## Product Images



## Description

Alca self-supporting frame for mounting a washbasin with deck mounted taps. Installation depth of up to 200mm maximum, frame width 510mm x 1120mm high, in front of a support wall or within a partition framed wall with a plasterboard finish and a floor thickness of 0-200mm.

Washbasin mounting pitch 80-280mm with a water supply pitch of 65-150mm.

**Key benefits:**

- Installation depth 200mm max.
- The frame allows the anchoring to a separate sufficiently strong plasterboard partition, in front of the bearing wall
- Can be installed in a partition, in front of the support wall
- Adjustable anchor feet and a spring-lock system, with a range of 0-200mm
- The fitted frame should be covered with a plasterboard panel
- Water supply pitch: 65-150mm
- Frame material: powder-coated metal

**Approvals:**

- Kiwa Approved

Scope of supply:

- Washbasin fixings: 2x M10x100 bolts
- Fixation set: 4x screws Ø8x60m, and 4x dowels Ø12
- Covers for the fixing material
- Waste elbow HT 50 with seal
- Connection fittings G1/2" - G1/2"
- Mounting frame
- Max. load: 150kg

**Warranty:**

- 15 year manufacturer

## Additional Information

---

Manufacturer	Alca
Frame Size (mm)	Frame Width: 510, Frame Height: 1120
Wash/Dry Bidet/Toilet - Compatible	No
Style / Type	Wall-hung Washbasin
Max. Load (kg / St)	150 / 23.5
Technical Info.	Water Connection: G1/2"
Warranty	15 years
Approvals	Kiwa Approved