



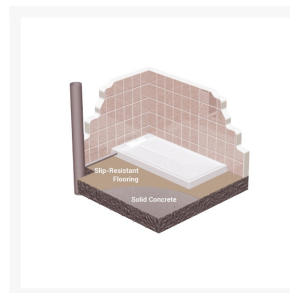
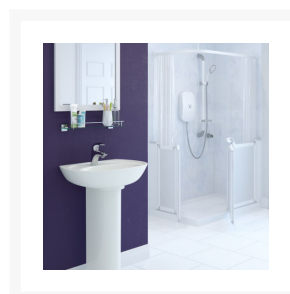
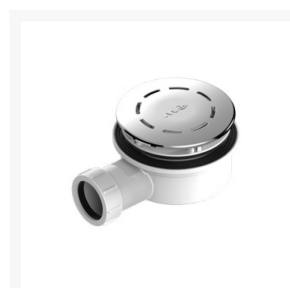
Independent 4 Life

£493.49 Inc. VAT

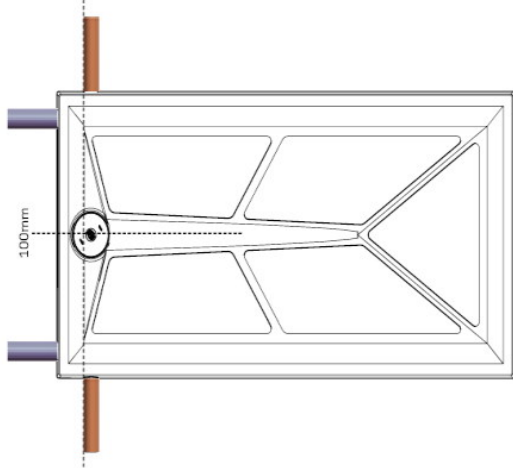
AKW Sulby 2 Step-in Shower Tray, 110mm High, w/ GW90 Gravity Waste - Choice of Size

Product Code: SULBY2

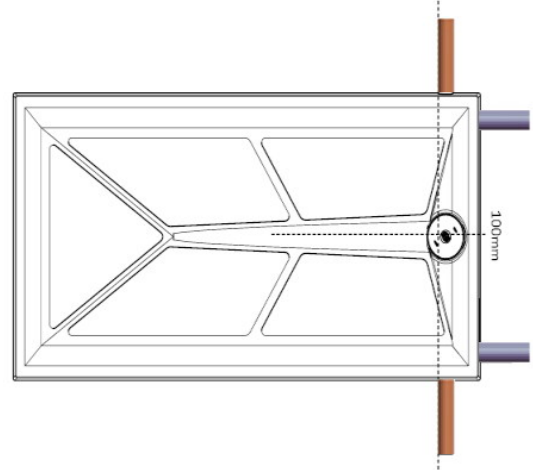
Product Images



Tray fitted with waste on left



Tray fitted with waste on right



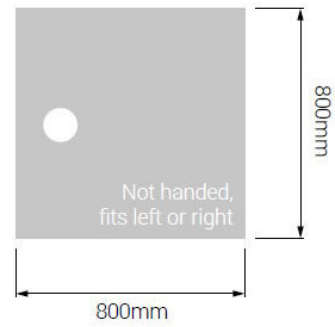
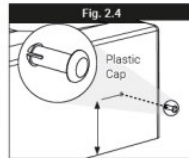
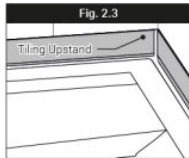
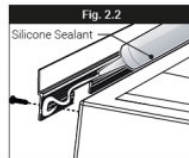
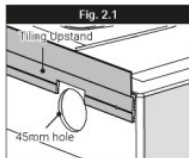
Fit other tiling upstand in the same way, ensuring that it butts up to and is level with previously installed upstand at corner. Cavities caused by radius on tray edge and corner must be silicone sealed (See Fig. 2.1, Fig. 2.2 and Fig. 2.3).

Use plastic cap provided to blank off unused pilot holes in tray (See Fig 2.4).

* Waste pipe exit heights first and second preference (See Fig 2.4):

90mm Sulby Tray (exit height 60mm high)

110mm Sulby Tray (exit height 80mm high)



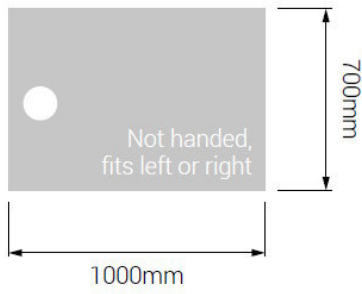
Sulby 2 Shower Tray – 800 x 800mm (110mm high)

Tray only code: 17242

Tray with Gravity Waste code: 17242W

Compatible shower screens:





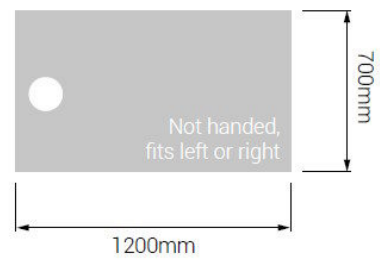
Sulby 2 Shower Tray – 1000 x 700mm (110mm high)

Tray only code: **17243**

Tray with Gravity Waste code: **17243W**

Compatible shower screens:

- | | | | | | | | | | | | |
|---|---|---|---|----|---|----|----|---|---|----|---|
| A | C | E | H | HF | M | GA | SM | A | E | HF | M |
|---|---|---|---|----|---|----|----|---|---|----|---|



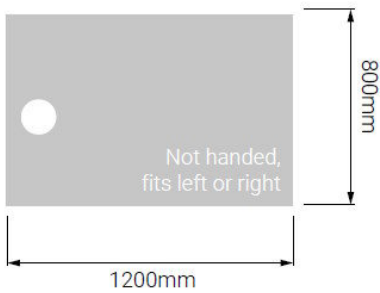
Sulby 2 Shower Tray – 1200 x 700mm (110mm high)

Tray only code: **17244**

Tray with Gravity Waste code: **17244W**

Compatible shower screens:

- | | | | | | | | | | | | |
|----|----|----|----|----|----|----|---|---|----|---|----|
| A | B | C | D | E | H | HF | K | M | N | X | GA |
| SE | SJ | SM | SN | SU | SX | SY | A | E | HF | M | N |



Sulby 2 Shower Tray – 1200 x 800mm (110mm high)

Tray only code: **17249**

Tray with Gravity Waste code: **17249W**

Compatible shower screens:

- | | | | | | | | | | | |
|----|----|----|----|----|----|----|---|----|---|---|
| B | C | E | E5 | H | HF | M | N | GA | | |
| SE | SJ | SM | SN | SU | SX | SY | E | HF | M | N |

Product Options

Tray Size (mm)	Price Inc. VAT
800x800	£493.49
1000x700	£501.78
1200x700	£501.78
1200x800	£501.78
1200x900	£543.76
1300x700	£501.78
1420x700	£536.26
1500x700	£536.26
1700x700	£587.20

Description

The AKW Sulby 2 is a step-in shower tray designed for unbreachable floors for alcove and corner installations on screed/concrete floors.

The tray doesn't require under tray foaming and is easy to install.

The trays are 110mm high with a 35mm fall inside the tray, supplied with a gravity waste by AKW the GW90 Metal Topped with a 90mm diameter. The pipework can be exited from 4x possible side outlet points on the side of the tray.

The tray is compatible with AKW Standard and Silverdale shower screens

Key benefits:

- No need to excavate the floor
- For unbreachable floors
- Step-in shower tray for a defined showering area, ideal for those with visual impairments
- Constructed of hand laid fibre glass (GRP)
- Slip resistant, providing a safer showering experience for the user
- Non handed, for both left or right handed installations providing greater flexibility
- Waste and pipework is concealed within the height of the tray giving the bathroom a clean look
- Tiling upstands supplied for corner or alcove installations
- 4x different pre-jigged waste exit points underneath the tray
- Up to 30 stone point loaded / 190.5kg weight bearing
- Choice of corner, side and end ramps for easy access are available separately
- Compatible with dry and PW90 pumped wastes, order separately

Waste:

AKW Product Code: 25434 - GW90 Metal Topped 90mm Dia. Waste

- - Flow rate: approx. 19 litres per minute
- - Low depth 90mm diameter trapped gravity waste
- - Installation depth required below tray (mm): 60

Technical details:

- Max. point load (kg / Stone): 190.5 / 30
- Unhanded
- For installation above screed/concrete floors
- Wastewater pipework can be taken out beneath the tray in 4x side outlet positions
- Manufactured by AKW

Warranty:

- Lifetime manufacturer guarantee

Manufacturer product codes:

- Tray only code: 17242, 17243, 17248, 17244, 17249, 17240, 17245, 17250, 17251, 17241, 17246, 17247, 17252
- Tray with Gravity Waste code: 17242W, 17243W, 17248W, 17244W, 17249W, 17240W, 17245W, 17250W, 17251W, 17241W, 17246W, 17247W, 17252W

Additional Information

Manufacturer	AKW / Contour
Model	AKW - Sulby 2
Tray Size (mm)	800x800, 1000x700, 1000x1000, 1200x700, 1200x800, 1200x900, 1300x700, 1300x800, 1400x800, 1420x700, 1500x700, 1700x700, 1800x700, 1800x800
Handing	Unhanded
Entry Configuration	Front Entry (Alcove), Corner Entry
Step-in Height (mm)	Step-In - 110
Thickness of Tray (mm)	110
Waste Compatibility	Gravity Waste, Pumped Waste
Tray Edge for Floor Finish	Not Applicable
Ramp or Step Available	Step, Ramp