



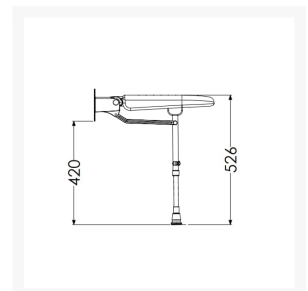
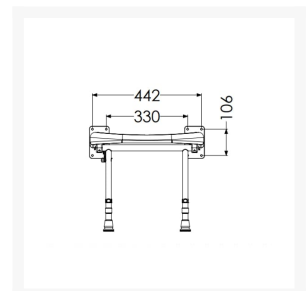
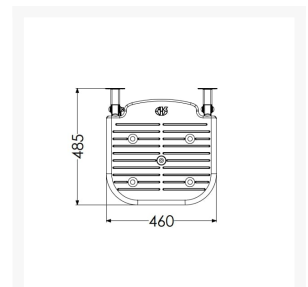
Independent 4 Life

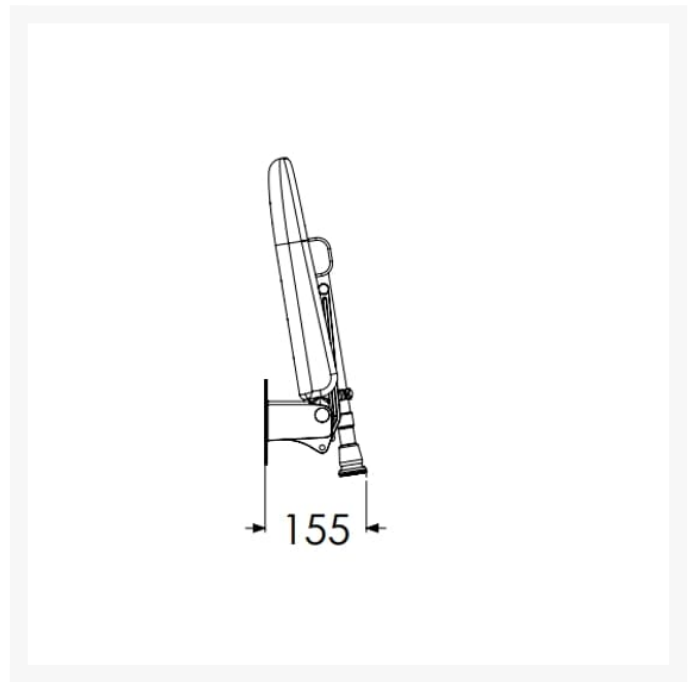
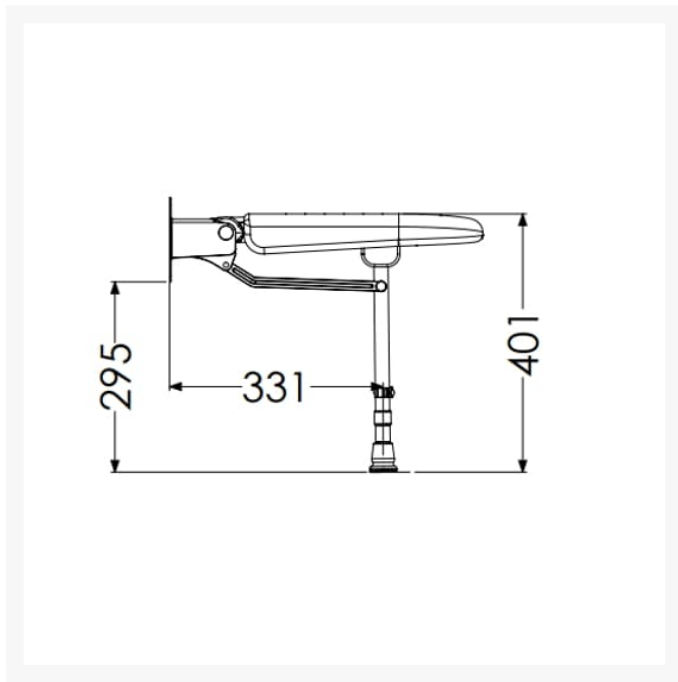
£223.09 Inc. VAT

AKW Advanced Wall Mounted Bariatric Fold-up Moulded Grey Padded Seat w/ Support Legs

Product Code: 04270P

Product Images





Description

AKW 4000 series standard bariatric fold-up padded shower seat with support legs, designed for accommodating varied individual needs. The contrasting grey coloured padding and white mould aids the visually impaired, padding provides comfort. The seat pad can be easily removed making cleaning easier.

At the point of installation, seat height can be adjusted between 390mm – 640mm to maximise comfort by accommodating the clients' needs.

Can be folded away and stored against the wall when not in use, allowing the shower to be accessible to all.

This AKW shower seat has a maximum load capacity of 254kg / 40 Stone, wall mounted and is designed for easy cleaning.

Key benefits:

- Made from stainless steel, ensuring durability for long-term use
- Comfortable in use
- +/- 13mm fine adjustment to support leg, allowing for gradient in floor to optimise comfort on a level seating
- Seat pad is easily removable for cleaning
- Folds compactly against the wall when not in use
- Ideal for situations requiring side transfers
- Cushion fixing lugs prevent the cushion from moving during side transfers
- Easily removeable cushion for cleaning

Technical details:

- Maximum load capacity (kg / Stone): 254 / 40
- Projection when folded (mm): 155
- Projection of seat from wall (unfolded) (mm): 485
- Width of seat (mm): 460
- Maximum height (mm): 640

- Minimum height (mm): 390
- Materials: Rust-proof stainless steel

Warranty:

- Lifetime manufacturer warranty

Note:

- The lifetime warranty excludes normal wear and tear in general domestic applications and in accordance with AKW installation instructions. It applies only to products being installed for the first time and according to relevant local and national regulations
- It is the responsibility of the installer to install the seat in accordance with best practice
- Support legs must not exceed a maximum of 1 in 40 shower base slopes when placed in the down position. Curved surfaces such as corner of bathtubs are not acceptable
- Wall fixings are not included

Additional Information

Manufacturer	AKW / Contour
Operation	Manual Folding
Configuration	Seat Only
Seat Width (mm)	400 - 499
Height Adjustment (mm)	0 (Fixed)
Folding Seat	Yes
Padded	Yes