



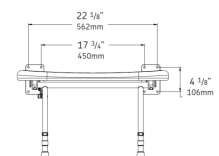
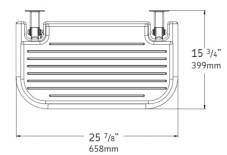
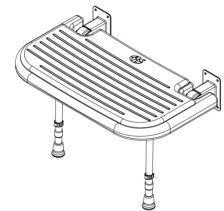
Independent 4 Life

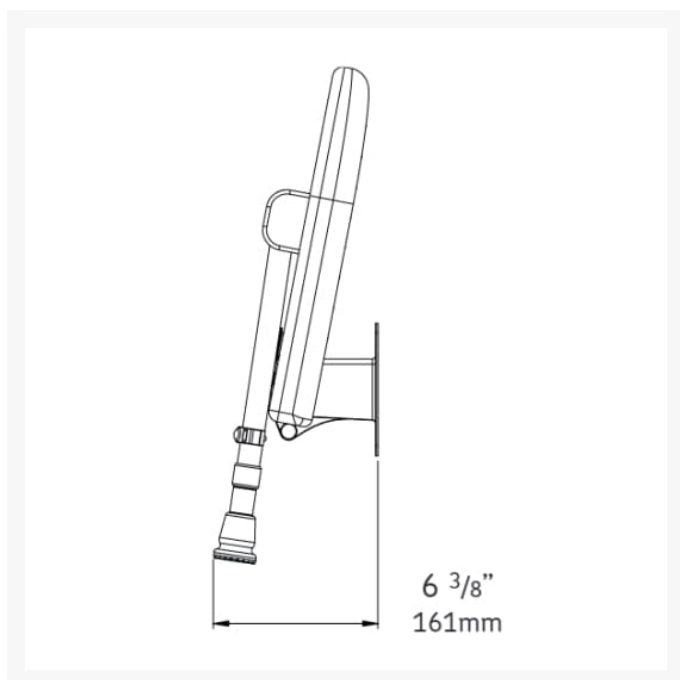
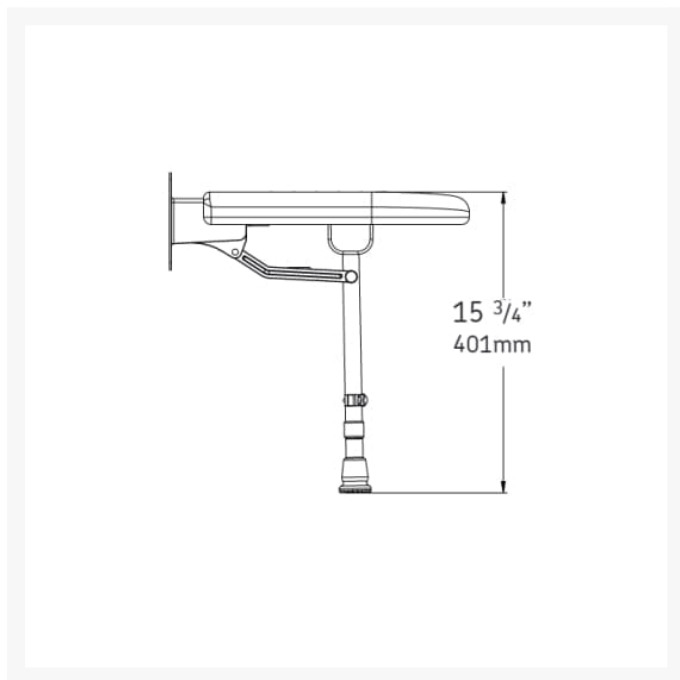
# AKW Rectangular Bariatric (ADA) Fold-up Shower Seat - Padded Blue

£433.61 Inc. VAT

Product Code: 04580P

## Product Images





## Description

---

AKW 4000 series large extra-wide rectangular fold-up shower seat, designed for accommodating varied individual needs. The white moulding contrasts with the blue coloured padding aiding the visually impaired, padding provides comfort. Easy to clean the removable seat.

At the point of installation, seat height can be adjusted between 390mm – 640mm to maximise comfort by accommodating the clients' needs.

Can be folded away and stored against the wall when not in use, allowing accessibility for all.

This AKW shower seat has a maximum load capacity of 317.5kg / 50 Stone, wall mounted and is designed for easy cleaning.

## Key benefits:

- Made from stainless steel, ensuring durability for long-term use
- Comfortable in use
- +/- 13mm fine adjustment to support leg, allowing for gradient in floor to optimise comfort on a level seating
- Seat pad is easily removable for cleaning
- Folds compactly against the wall when not in use
- Ideal in any situation where side transfer is required
- Cushion fixing lugs prevent the cushion from moving during side transfers

## Technical details:

- Maximum load capacity (kg / Stone): 317.5 / 50
- Projection when folded (mm): 161
- Projection of seat from wall (unfolded) (mm): 399
- Width of seat (mm): 658
- Maximum height (mm): 640
- Minimum height (mm): 390
- Materials: Rust-proof stainless steel

## Warranty:

- Lifetime manufacturer warranty

## Note:

- The lifetime warranty excludes normal wear and tear in general domestic applications and in accordance with AKW installation instructions. It applies only to products being installed for the first time and according to relevant local and national regulations
- It is the responsibility of the installer to install the seat in accordance with best practice
- Support legs must not exceed a maximum of 1 in 40 shower base slopes when placed in the down position. Curved surfaces such as corner of bathtubs are not acceptable
- Wall fixings are not included

## Additional Information

---

Manufacturer	AKW / Contour
Operation	Manual Folding
Configuration	Seat Only
Seat Width (mm)	600+
Height Adjustment (mm)	0 (Fixed)
Folding Seat	Yes
Padded	Yes