



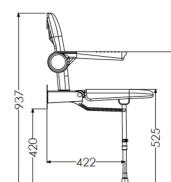
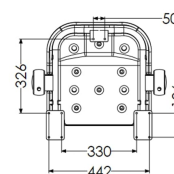
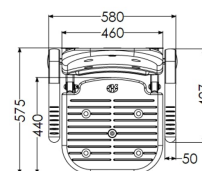
Independent 4 Life

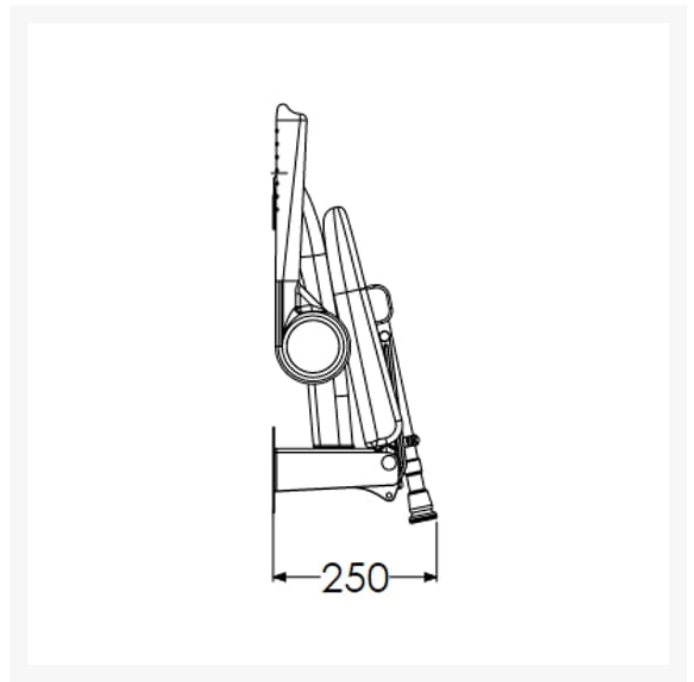
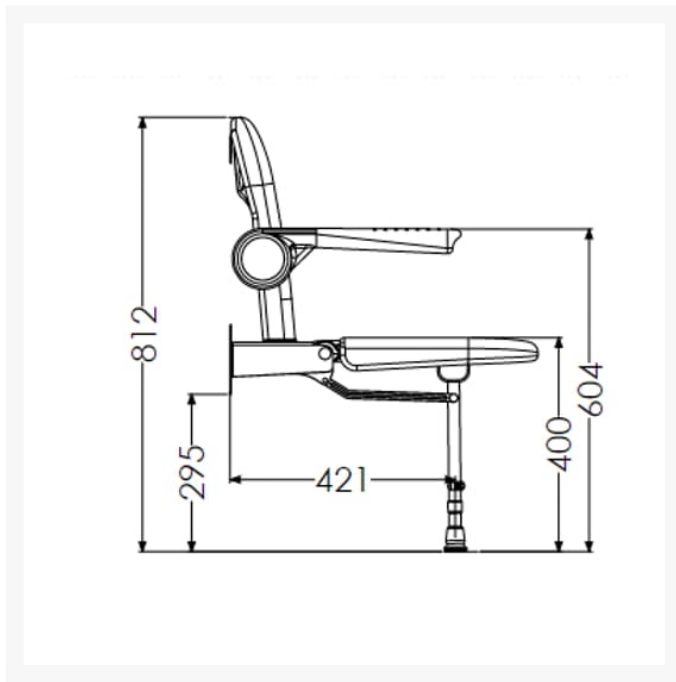
£540.60 Inc. VAT

AKW Advanced Wall Mounted Bariatric Fold-up Moulded Seat w/ Support Legs Grey Padded Seat Back & Arms

Product Code: 04230P

Product Images





Description

AKW 4000 series bariatric fold-up moulded shower seat with support legs, backrest and arms. White moulded, grey Padding. Designed to accommodate a variety of individual needs of users. Unique and innovative design provides years of trouble free service. The contrasting grey coloured padding and white mould aids the visually impaired. Armrests have independent folding arms making it ideal for situations where side transfers are required.

At the point of installation, seat height can be adjusted between 390mm – 640mm to maximise comfort by accommodating the clients' needs.

Can be folded away and stored against the wall when not in use.

This AKW shower seat has a maximum load capacity of 254kg / 40 Stone. Wall mounted. Easy cleaning.

Key benefits:

- +/- 13mm fine adjustment to support leg, allowing for gradient in floor to optimise comfort on a level seating
- Sturdy design
- Folds compactly against the wall when not in use
- Independent folding arms make it suitable for side transfer from either side
- Ribbed design on armrest and seat pads provides safety during side transfer
- Cushion fixing lugs prevent the cushion from moving during side transfers
- Easily removeable cushions
- Ideal for any situation where side transfer is required

Technical details:

- Maximum load capacity (kg / Stone): 254 / 40
- Armrest colour: Grey
- Seat colour: Grey
- Back colour: Grey

www.independent4life.co.uk | info@independent4life.co.uk | Tel: 0800 500 3001 | VAT No: 942447711

EORI GB942447711000

- Projection when folded (mm): 250
- Projection of seat from wall (unfolded) (mm): 575
- Width of seat (mm): 460
- Maximum height (mm): 640
- Minimum height (mm): 390
- Materials: Rust-proof stainless steel

Warranty:

- Lifetime manufacturer warranty

Note:

- Installation Instructions guarantee terms apply
- It is the responsibility of the installer to install the seat in accordance with best practice
- Wall fixings are not included

Additional Information

Manufacturer	AKW / Contour
Operation	Manual Folding
Configuration	Seat, Arms & Backrest
Seat Width (mm)	400 - 499
Height Adjustment (mm)	0 (Fixed)
Folding Seat	Yes
Padded	Yes