



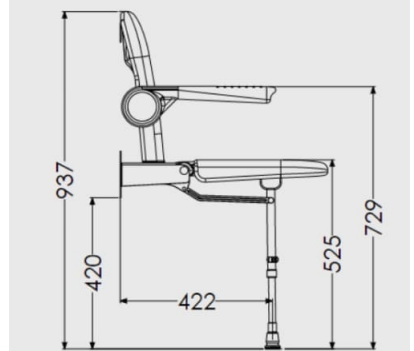
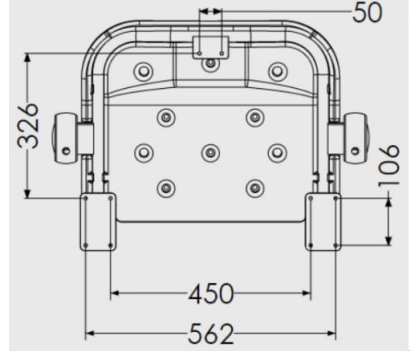
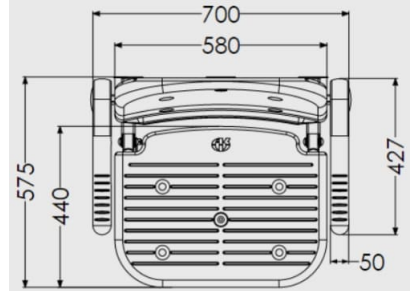
Independent 4 Life

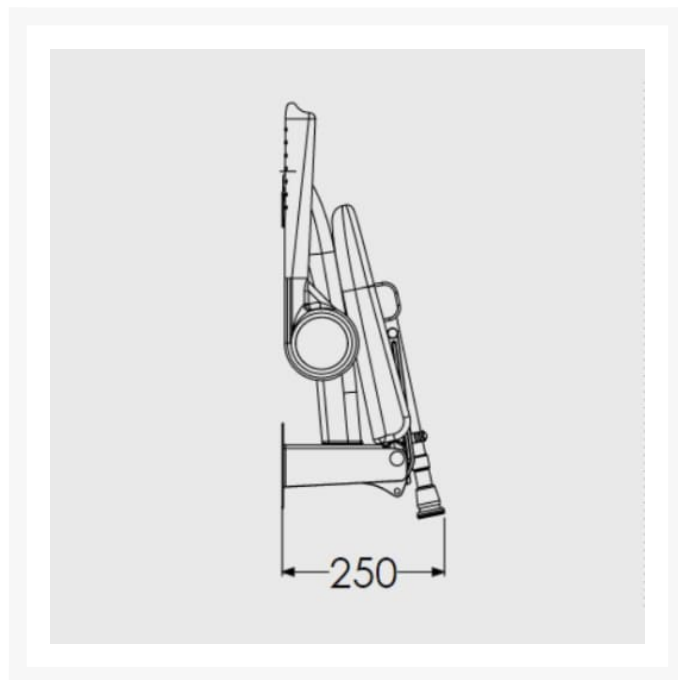
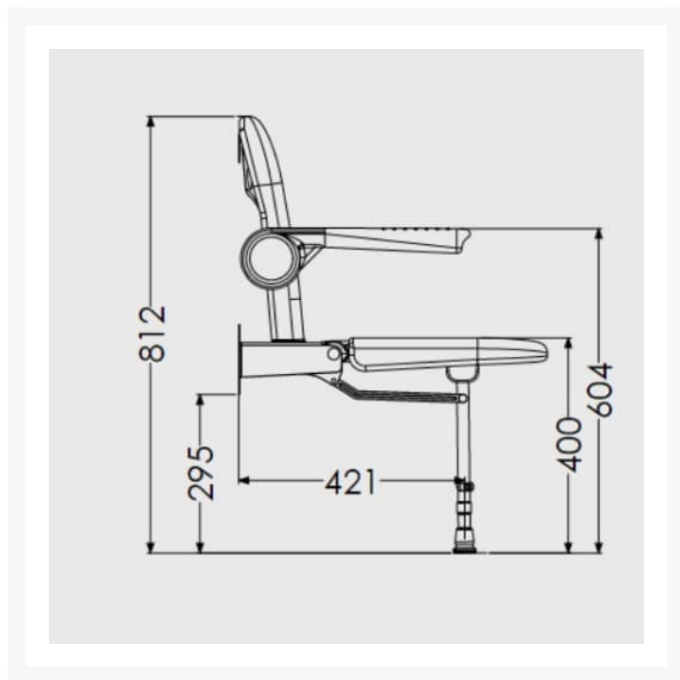
£733.00 Inc. VAT

AKW Advanced Wall Mounted Extra Wide Bariatric Fold-up Moulded Blue Padded Seat w/ Support Legs, Padded Arms & Back

Product Code: 04140P

Product Images





Description

AKW 4000 series extra wide bariatric fold-up shower seat with support legs. The white moulded shower seat has an inset padded seat, backrest and arms, designed to accommodate a variety of individual needs of users with its unique and innovative design providing years of trouble free service. The blue coloured padding and white mould contrasts aiding the visually impaired, the padding provides additional comfort. The seat pad can be easily removed allowing easier cleaning.

At the point of installation, seat height can be adjusted between 390mm – 640mm to maximise comfort by accommodating the clients' needs.

Can be folded away and stored against the wall when not in use.

This AKW shower seat has a maximum load capacity of 254kg / 40 Stone, wall mounted and is designed for easy cleaning.

Key benefits:

- +/- 13mm fine adjustment to support leg, allowing for gradient in floor to optimise comfort on a level seating
- Seat pad easily removable for cleaning
- Folds compactly against the wall when not in use
- Ideal for situations where side transfers are required
- Independent folding arms makes it suitable for side transfer from either side
- Ribbed design on arms and seat pads prevents cushion from moving during side transfer
- Cushion fixing lugs prevent the cushion from moving during side transfer

Technical details:

- Maximum load capacity (kg / Stone): 254 / 40
- Armrest colour: Blue
- Seat colour: Blue
- Back colour: Blue

www.independent4life.co.uk | info@independent4life.co.uk | Tel: 0800 500 3001 | VAT No: 942447711

EORI GB942447711000

- Projection when folded (mm): 250
- Projection of seat from wall (unfolded) (mm): 575
- Width of seat (mm): 580
- Maximum height (mm): 640
- Minimum height (mm): 390
- Materials: Rust-proof stainless steel

Warranty:

- Lifetime manufacturer warranty

Note:

- The lifetime warranty excludes normal wear and tear in general domestic applications and in accordance with AKW installation instructions. It applies only to products being installed for the first time and according to relevant local and national regulations
- It is the responsibility of the installer to install the seat in accordance with best practice
- Support legs must not exceed a maximum of 1 in 40 shower base slopes when placed in the down position. Curved surfaces such as corner of bathtubs are not acceptable
- Wall fixings are not included

Additional Information

Manufacturer	AKW / Contour
Operation	Manual Folding
Configuration	Seat, Arms & Backrest
Seat Width (mm)	500 - 599
Height Adjustment (mm)	0 (Fixed)
Folding Seat	Yes
Padded	Yes