

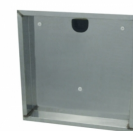
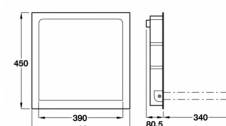


Independent 4 Life

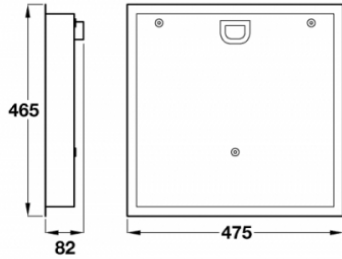
# PBA Programma CAP Concealed Shower Seat for Brick Walls - White

Product Code: 4S30027

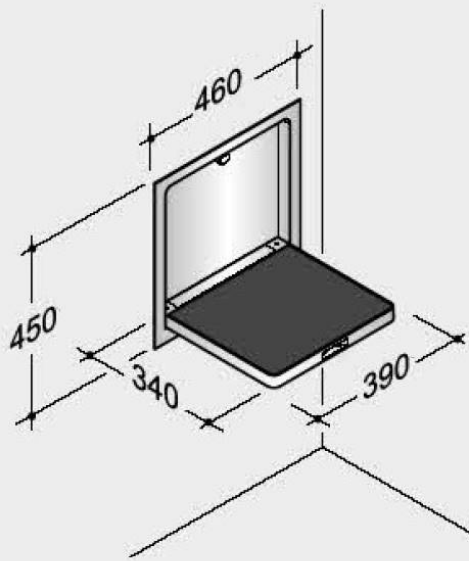
## Product Images



Watertight Protective Casing



Watertight Protective Casing



## Description

---

Ideal for hotels and guesthouses as well as domestic homes, the fold down design of the PBA Programma CAP range creates a discreet bathroom for all users.

With a gentle push pad release, this wall mounted concealed shower seat brings space-saving benefits as well as an easy cleaning solution to your bathroom or wet room.

This pack includes a watertight casing for installation within brick walls.

### Key benefits:

- PBA Programma CAP drop down shower seat in white
- Die-cast aluminium
- Seat width 390mm
- Seat depth 340mm
- Gentle push pad release
- Self-balancing slow close
- Non-slip seat surface

- Maximum load carrying capacity: 150kg

**Installation components:**

- Aluminium watertight protective casing
- 475mm overall width
- 465mm overall height
- 82mm depth
- Requires minimum 105mm wall thickness

**Warranty:**

- 2 year manufacturer warranty

**Please note:**

- The installer is to verify the strength of the wall prior to fixing

## Additional Information

---

Manufacturer	PBA
Operation	Manual Folding
Seat Width (mm)	< 400
Folding Seat	Yes
Padded	No