



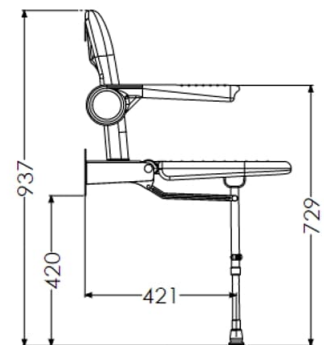
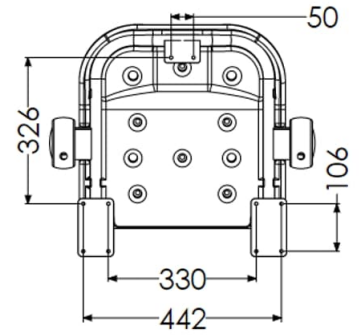
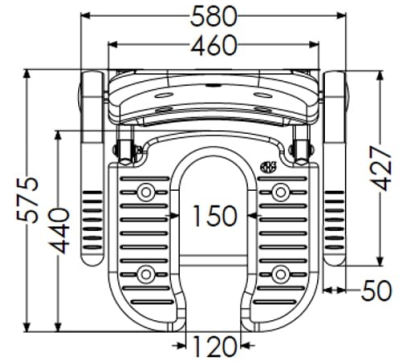
Independent 4 Life

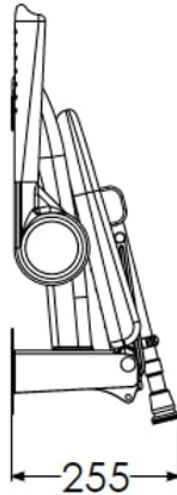
£408.25 Inc. VAT

AKW Advanced Wall Mounted, Fold-up Moulded Horseshoe Seat w/ Support Legs, Blue Padded Seat, Back & Arms

Product Code: 04160P

Product Images





Description

AKW 4000 series standard horseshoe fold-up shower seat with support legs. The white moulded shower seat has an inset padded horseshoe seat, backrest and arms, designed for accommodating varied individual needs making it easier for intimate hygiene. The blue coloured padding provides additional comfort and aids the visually impaired. The seat pad can be easily removed making cleaning easier.

At the point of installation, seat height can be adjusted between 390mm – 640mm to maximise comfort by accommodating the clients' needs.

Can be folded away and stored against the wall when not in use, allowing the shower to be accessible to all.

This AKW shower seat has a maximum load capacity of 254kg / 40 Stone, wall mounted and is designed for easy cleaning.

Key benefits:

- Made from stainless steel, ensuring durability for long-term use
- Comfortable in use
- Horseshoe shape accommodates a variety of needs
- +/- 13mm fine adjustment to support leg, allowing for gradient in floor to optimise comfort on a level seating
- Seat pad is easily removable for cleaning
- Folds compactly against the wall when not in use
- Independent folding arms makes it suitable for side transfer from either side
- Ribbed design on arms and seat pads prevents cushion from moving during side transfer

Technical details:

- Maximum load capacity (kg / Stone): 254 / 40
- Armrest colour: Blue
- Seat colour: Blue
- Back colour: Blue

- Projection when folded (mm): 255
- Projection of seat from wall (unfolded) (mm): 575
- Width of seat (mm): 460
- Maximum height (mm): 640
- Minimum height (mm): 390
- Materials: Rust-proof stainless steel

Warranty:

- Lifetime manufacturer warranty

Note:

- The lifetime warranty excludes normal wear and tear in general domestic applications and in accordance with AKW installation instructions. It applies only to products being installed for the first time and according to relevant local and national regulations
- It is the responsibility of the installer to install the seat in accordance with best practice
- Support legs must not exceed a maximum of 1 in 40 shower base slope when placed in the down position. Curved surfaces such as corner of bathtubs are not acceptable
- Wall fixings are not included

Additional Information

| | |
|------------------------|-----------------------|
| Manufacturer | AKW / Contour |
| Operation | Manual Folding |
| Configuration | Seat, Arms & Backrest |
| Seat Width (mm) | 400 - 499 |
| Height Adjustment (mm) | 0 (Fixed) |
| Folding Seat | Yes |
| Padded | Yes |