

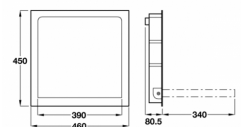


Independent 4 Life

PBA Programma CAP Concealed Shower Seat for Stud Walls - White

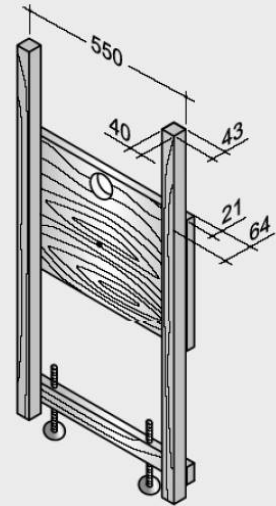
Product Code: 4S30029

Product Images

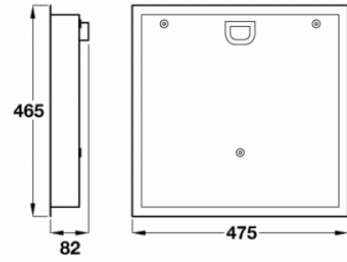




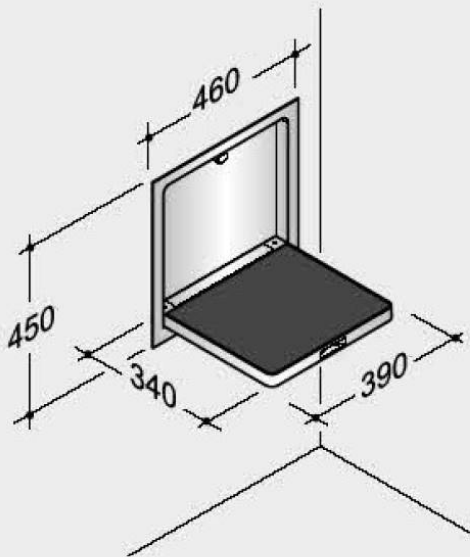
Wall Fixture for Plasterboard Walls



Watertight Protective Casing



Watertight Protective Casing



Description

Ideal for hotels and guesthouses as well as domestic homes, the fold down design of the PBA Programma CAP range creates a discreet bathroom for all users.

With a gentle push pad release, this wall mounted concealed shower seat brings space-saving benefits as well as an easy cleaning solution to your bathroom or wet room.

This pack includes all the items needed for a waterproof installation within plasterboard walls.

Key benefits:

- PBA Programma CAP drop down shower seat in white
- Die-cast aluminium
- Seat width 390mm
- Seat depth 340mm
- Gentle push pad release
- Self-balancing slow close
- Non-slip seat surface
- Maximum load carrying capacity: 150kg

Installation components:

- Aluminium watertight protective casing
- 475mm overall width
- 465mm overall height
- 82mm depth
- Wood panelling wall fixture for easy installation in stud wall framework - 550 wide x 1000mm high
- Requires a total minimum installation depth of 90mm, including 20mm minimum plywood / plasterboard / tile or wall finish thickness

Warranty:

- 2 year manufacturer warranty

Please note:

- The installer is to verify the strength of the wall prior to fixing

Additional Information

Manufacturer	PBA
Operation	Manual Folding
Seat Width (mm)	< 400
Folding Seat	Yes
Padded	No