



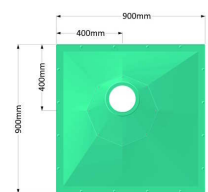
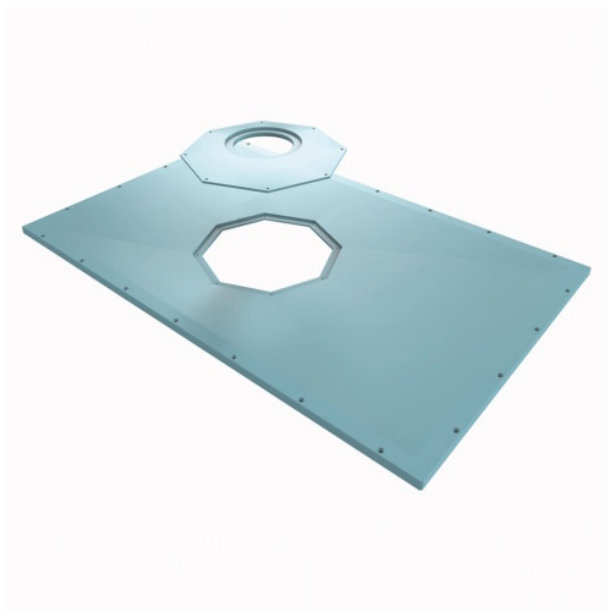
Independent 4 Life

AKW Tuff Form8 Floor Former - Choice of Size & Waste

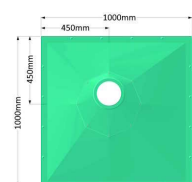
£221.14 Inc. VAT

Product Code: TUFFFORM8

Product Images

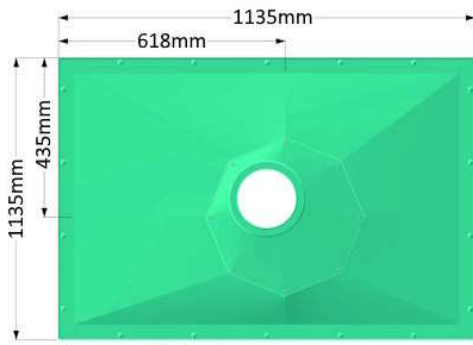


Compatible shower screens:

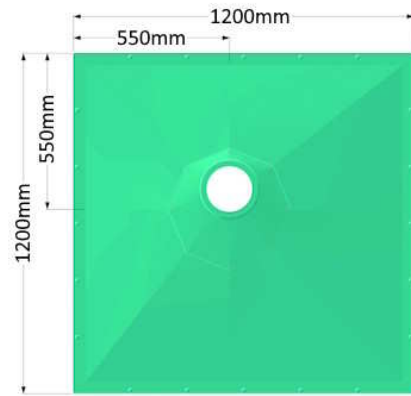
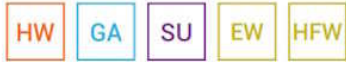


Compatible shower screens:

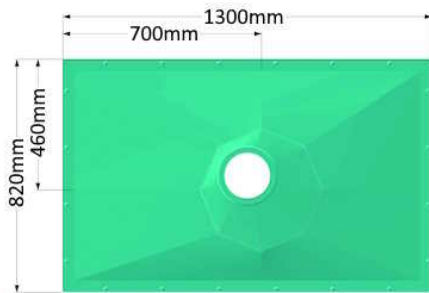




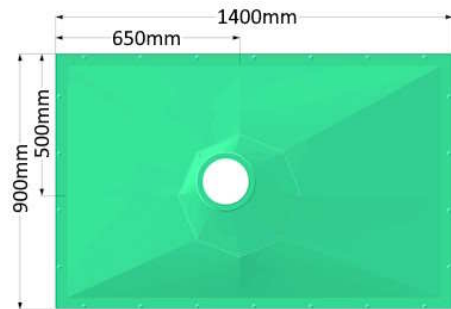
Compatible shower screens:



Compatible shower screens:

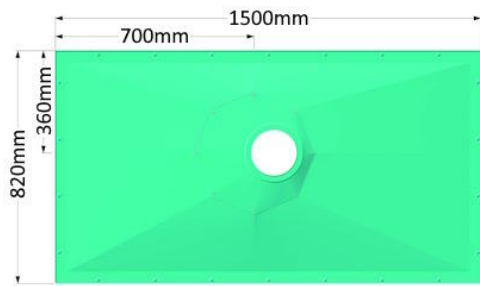


Compatible shower screens:



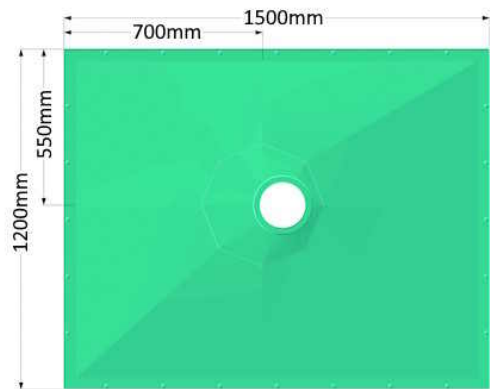
Compatible shower screens:





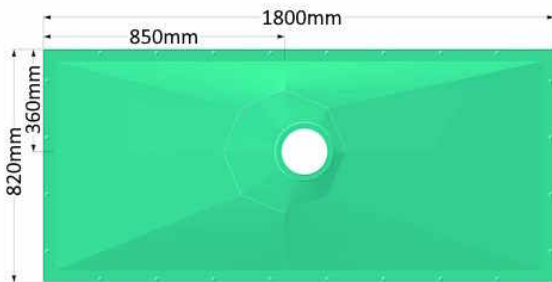
Compatible shower screens:

BW HW PW TTW XW ZW GA SE SJ SM SN SU SX SY EW HFW NW UW ZUW



Compatible shower screens:

HW PW TTW ZW GA SJ SM SN SU EW HFW NW UW ZUW



Compatible shower screens:

HW PW TTW ZW GA SJ SN SU SX HFW NW UW ZUW

Product Options

| Floor Former Size (mm) | Price Inc. VAT |
|------------------------|----------------|
| 900x900 | £221.14 |
| 1000x1000 | £221.14 |
| 1135x770 | £221.14 |
| 1200x1200 | £253.84 |
| 1300x820 | £221.14 |
| 1400x900 | £221.14 |
| 1500x820 | £221.14 |
| 1500x1200 | £338.30 |
| 1800x820 | £232.21 |

Additional Options

| | | |
|---------------------------------|--|--------|
| AKW Code / Waste options | 25106 / TF75 Gravity waste | £20.97 |
| | LB00101 / SS-TF75 Stainless Steel Gravity Waste | £46.90 |
| | 25414 / SilentFlow+® Waste Pump (PGTF) with 22mm Outlet | £52.34 |
| | 08GT52-R / McAlpine TSG52 Round Vinyl Gully | £78.93 |
| | 08CTW01 / CTW01 Shower Trap | £27.09 |
| | 25408 / TF75 Bottom Outlet Waste | £26.96 |
| | 25418-UK / DW90 Low Depth Dry Shower Waste – with Tuff Form® Tiled Floor Adaptor | £46.61 |
| | GW90-2 Low Depth Gravity Waste, Dry Waste for Vinyl Flooring | £46.61 |
| | GW90-2 Low height Gravity Waste for Tiled Flooring | £66.58 |
| | GW90-2 Low Depth Gravity Waste for Vinyl Flooring | £66.58 |

Description

The AKW Tuff Form 8 floor former creates level access wet rooms with a large size of options.

Easy to install, it is suitable for timber or concrete installations, and can be rotated and trimmed to size if required.

Key benefits:

- Rotatable waste position
- Suitable for use with underfloor heating
- Creates a complete level access wet room shower area once completed with vinyl flooring or tiled flooring when a tanking kit is also used
- Very strong at only 22mm thick - can withstand loads of up to 381kg (60 stone)
- High strength GRP
- Suitable for both wooden and concrete floor installations
- Recyclable
- Choice of size:

Technical details:

- Thickness (mm): 22
- 1:16 gradient
- Load capacity (kg): 381
- Materials: SMC-GRP
- BS EN 14527 approval

Installation:

- Trimmable to within 150mm of the waste
- Pre-formed fixing holes
- Ribbed design on the underside eliminates slippage or float during installations
- Please see installation instructions for further information

Waste options:

- For waste options search for the following product codes
- 25106, LB00101, 25414, 08GT52-R, 08CTW01, 25408, 25418-UK, 25419-UK, 25498-UK, 25499-UK

Warranty:

- Lifetime manufacturer guarantee

Manufacturer product codes:

- 21130, 21131, 21132, 21133, 21134, 21135, 21136, 21137, 21138

Additional Information

| | |
|-----------------------------|--|
| Manufacturer | AKW / Contour |
| Brand / Model | AKW - Tuff Form8 |
| Size (mm) | 900x900, 1000x1000, 1135x770, 1200x1200, 1300x820, 1400x900, 1500x820, 1500x1200, 1800x820 |
| Floor Former Thickness (mm) | 22 |
| Waste Option / Floor Finish | Contour CTW01 Gravity - Vinyl, AKW GW19 Gravity Waste - Vinyl, AKW GW50 Gravity Waste - Vinyl, AKW GW90 Low Depth Gravity - Vinyl, AKW GW90 Low Depth (Dry) Gravity - Vinyl, AKW DW90 Low Depth Gravity - Tiled, AKW GW90 Low Height Gravity - Tiled, AKW TF75 Gravity - Vinyl, AKW TF75 Gravity - Tilled, AKW TF75 Gravity Bottom Outlet - Vinyl, McAlpine TSG52 Round Gully, Gravity - Vinyl, AKW PGTF Pumped - Vinyl, AKW Silentflow Pumped Waste - Vinyl |
| For Floor Finish | Vinyl Flooring, Tiled Flooring |
| Optional Waste Type | Gravity Waste |