



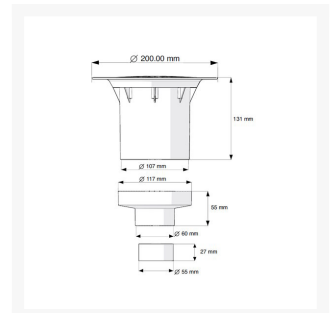
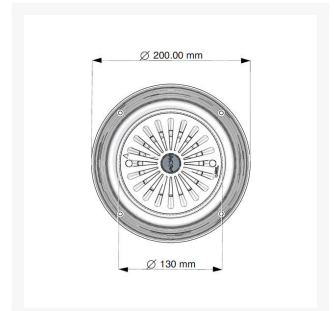
Independent 4 Life

AKW TF75 Bottom Outlet Waste - Vinyl Flooring

£32.35 Inc. VAT

Product Code: 25408

Product Images



Description

This AKW gulley has been specifically designed for use the AKW Tuff Form wet room floor formers and for any screeded floor installation in a breachable floor.

Key benefits:

- Designed for Tuff Form wet floor formers with vinyl flooring
- Also for screeded floor installations in a breachable floor
- Water trap depth (seal): 75mm - Provides backflow prevention
- Overall diameter: 200mm
- Overall depth: 132mm
- Requires 125mm depth below floor former
- Horizontal and adjustable elbow for waste exit pipe for ease of installation
- Adjustable elbow for waste pipe exit
- Opens for easy cleaning, top access, cleaning and rodding - Ensuring easy maintenance
- Low maintenance & reliable operation - Provides peace of mind
- White plastic grate with clamping ring for vinyl flooring

Warranty:

- Lifetime Warranty (please refer to AKW's terms and conditions)

Additional Information

Manufacturer	AKW / Contour
Configuration	Gravity Waste
Compatible Tray or Former	AKW - Tuff Form, AKW - Tuff Form8
Installation	Floor Formers, Concrete / Screed Floors
Application	Floor Former, Screed Floors
Waste Diameter (mm)	200
Waste Outlet / Depth (mm)	Vertical
Floor Finish	Vinyl Sheet Flooring
Grate Material / Finish	Plastic / White