



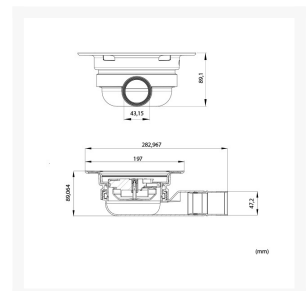
Independent 4 Life

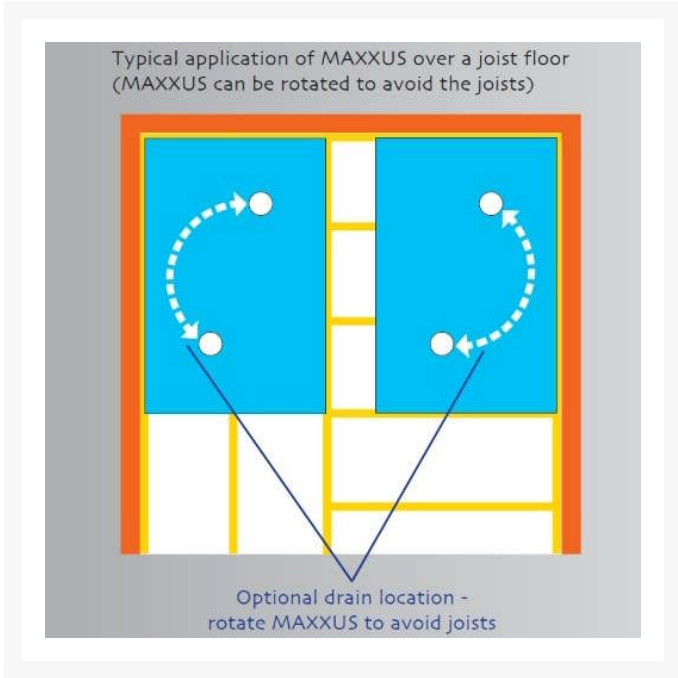
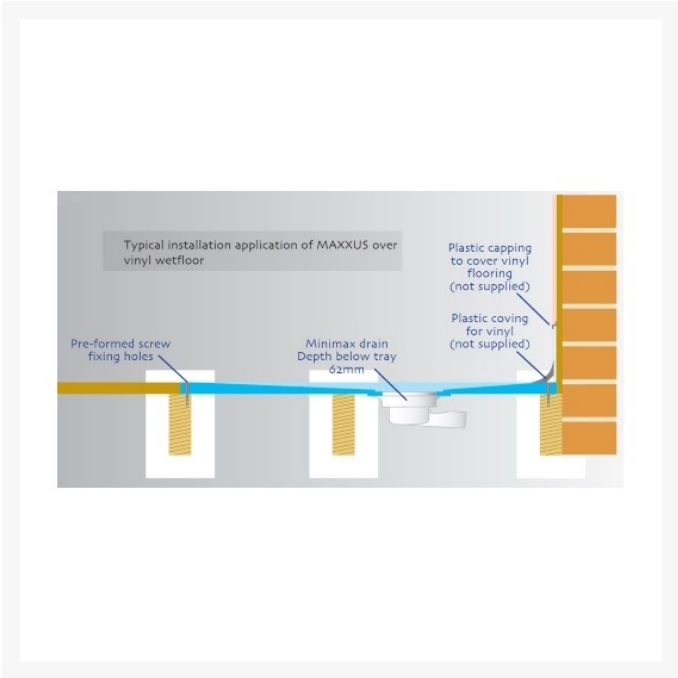
# Maxxus Former, Purus 2-part Waste for Vinyl Flooring - Choice of Size & Grid

£366.64 Inc. VAT

Product Code: MV

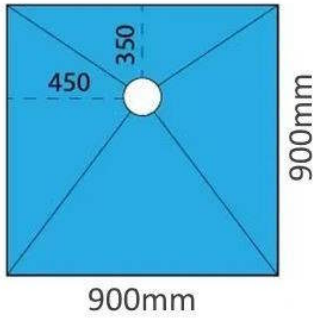
## Product Images





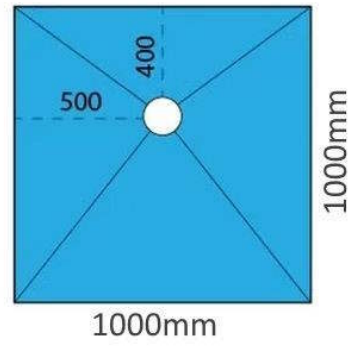
**MV934**

900 x 900 x 22mm



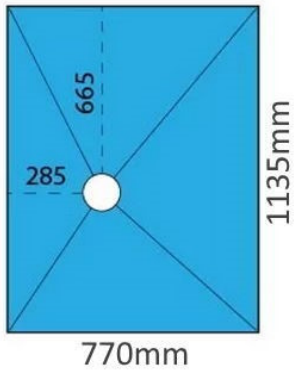
**MV930**

1000 x 1000 x 22mm



**MV931**

1135 x 770 x 22mm



## Product Options

---

Floor Former Size (mm)	Price Inc. VAT
900x900	£366.64
1000x1000	£366.64
1135x770	£366.64
1200x800	£366.64
1200x900	£366.64
1200x1200	£366.64
1300x800	£366.64
1400x900	£366.64
1450x1150	£404.08
1500x800	£366.64
1650x900	£498.19
1800x800	£518.08

## Additional Options

---

<b>Product code / Grid options</b>	Standard White Plastic Grid - supplied with 2-part waste	£0.00
	7138392 / Drop design grid (non-locking)	£55.16
	7138394L / Wave design grid (locking)	£68.62

## Description

---

The Maxxus is a strong 22mm thick wet room floor former tray suitable for wooden and concrete floors is incredibly strong.

With an offset waste and totally flat underside, the Maxxus is easy to install.

The MV version of the Maxxus floor former includes the easy to fit 2-part Purus Minimax waste.

### Key benefits:

- Includes clamping ring in the waste for Vinyl flooring

- Suitable for timber and solid floors
- Strong and durable base yet only 22mm thick
- Vacuum formed GRP
- Made from 50% recycled materials and is 100% recyclable
- Solid right through - no pockets or hollow cavities
- Creates a level access floor with no step
- Built in gradients for water removal to the waste
- Structural 470kg load bearing deck
- Self-supporting, no under-boarding required
- May be trimmed down to any size
- Includes the Purus MiniMax 2-part gravity or pumped waste with 40mm solvent weld outlet
- White plastic Art Deco design waste grid - Can be upgraded to stainless-steel grid
- Choice of size

#### **Installation:**

- Totally flat underside and recessed screw holes allow for easy fixing
- Simple rotate to place the drain hole in the ideal position
- No release agent to inhibit bonding of adhesives, tanking or membranes

#### **Purus Minimax Two-part waste:**

- Gravity or Pumped - Horizontal wet floor waste gulley with NOOD (no-odour) water trap (Product Code: 52719)
- The Minimax waste projects only 80mm below Maxxus deck
- Purus Minimax 2-part drain with spring loaded Nood no-odour trap
- 47 Litres/minute flow rate
- White plastic 130mm Dia. Art Deco design plastic grate as standard

#### **Optional upgrade - Purus 130mm dia. stainless-steel grate:**

- Non-locking Drop design grid
- Locking Wave design grid

#### **Warranty:**

- 25 year manufacturer guarantee

#### **Manufacturer product codes:**

- MV934, MV930, MV931, MV941, MV929, MV936, MV932, MV935, MV1411, MV933, MV942, MV1808

## Additional Information

---

Manufacturer	Maxxus
Brand / Model	Maxxus
Size (mm)	900x900, 1000x1000, 1135x770, 1200x800, 1200x900, 1200x1200, 1300x800, 1400x900, 1450x1150, 1500x800, 1650x900, 1800x800
Floor Former Thickness (mm)	22
Waste Option / Floor Finish	Purus Minimax 2-part Gravity / Pumped - Vinyl
For Floor Finish	Vinyl Flooring
Optional Waste Type	Gravity Waste, Pumped Waste
Flow Rate / l/min	47