



Independent 4 Life

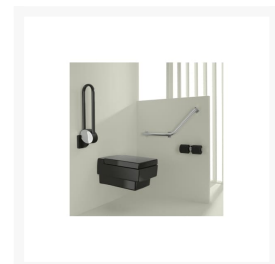
# Pellet ARSIS Hinged Bar, 600mm, Anthracite Grey Epoxy-Coated Aluminium, Tube 38x25mm

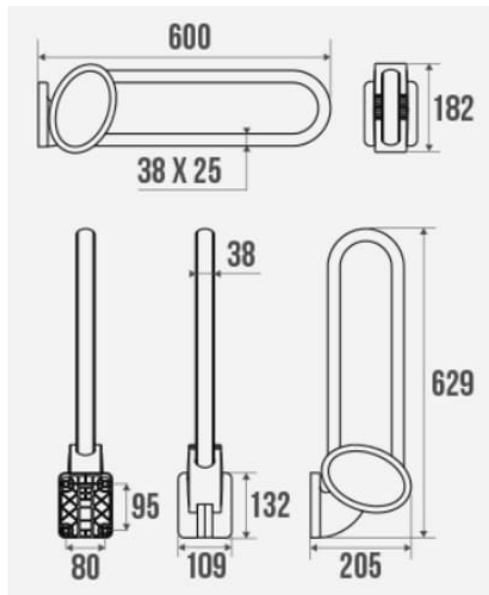
£370.73 Inc. VAT

Product Code: 048760

## Product Images

---





## Description

Pellet arsis 600mm long fold up support arm, anthracite grey epoxy coated aluminium. Made from aluminium, elliptical tube provides the user with an improved grip, perfectly suitable for the hospitality industry with a soft close system.

Suitable for use with toilet pans projecting 540/550mm from the wall.

### Key benefits:

- Perfectly suitable for use in the hospitality industry
- Easy to use friction action
- Soft close system
- Elliptic tube provides an improved grip
- Design is coordinated with all ARSIS comfort items

### Technical details:

- Overall projection from the wall (mm): 600
- Rail diameter (mm): 38x25
- Folded projection from the wall (mm): 205
- Concealed wall fixings
- Maximum load of 150kg this refers to grabrail only
- Material: Aluminium
- Wall flange, joint and side plate are in bright chrome-plated synthetic resin

### Warranty:

- 10 year manufacturer warranty

### Please note:

- Wall fixings included
- To ensure the sustainability of the product and user safety, we recommend using a solution made of

[www.independent4life.co.uk](http://www.independent4life.co.uk) | [info@independent4life.co.uk](mailto:info@independent4life.co.uk) | Tel: 0800 500 3001 | VAT No: 942447711

EORI GB942447711000

mild soap for cleaning. Do not use cleaning products made of: etones, hydrocarbons, acids, bases, esters and ethers. After use of a cleaning product rinse with water

- It is advised that you choose stainless steel screws to prevent corrosion in humid environments

## Additional Information

---

Manufacturer	PELLET
Length (mm)	600
WC Projection (mm)	540/550
Colour	Anthracite Grey
Type	Hinged Arm Support
Material	Aluminium
Mounting	Wall
Fixings	Concealed
Adjustable	Fixed Height (No Adjustment)