



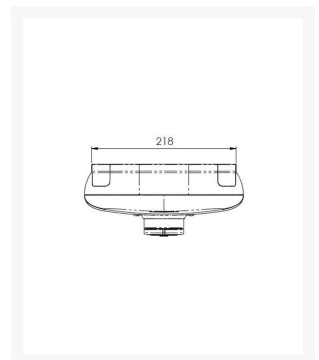
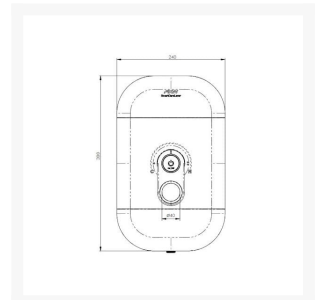
Independent 4 Life

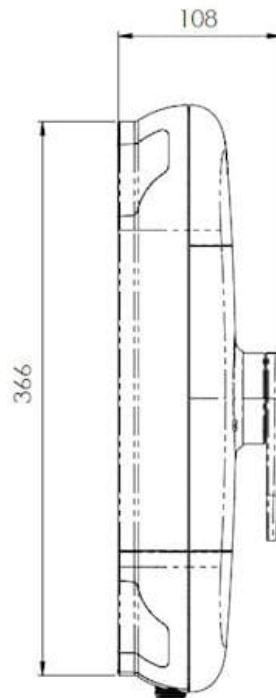
# AKW SmartCare Lever White 8.5kW w/ Care Accessory Kit

£379.92 Inc. VAT

Product Code: 29090CGR

## Product Images





## Description

---

The AKW SmartCare lever white 8.5kW with a care accessory kit is an expertly designed electric shower encompassing a multitude of features designed to aid with personal or assisted showering.

The shower has also been designed to assist the installer with simple but thoughtful features such as 6 different electric and water entry points, footprint that covers most manufacturer models; this reduces the chances of having to re-tile if retrofitting.

For added reassurance when showering, the included 1000mm riser bar has a 150kg maximum load allowing it to double as a grab bar if needed.

### Key benefits:

- Quick and easy to install
- Electronic thermostatic Temperature and Flow Control
- Audible and tactical controls for temperature and flow to assisted users with visual impairments
- Thermostatic control and phased shutdown
- Lever allows for easy one handed operation
- Anti-glare matte finish panel
- Rounded surfaces for added safety if the user falls in the shower
- The 1000mm riser rail has a maximum load of 150kg
- 2m anti-kink smooth hose
- Includes a 3 mode shower head
- Compatible with AKW DigiPumps & P12 Pumps, wired or wireless connection
- Optional eco-setting limiting flow rate to 6 litres per minute

[www.independent4life.co.uk](http://www.independent4life.co.uk) | [info@independent4life.co.uk](mailto:info@independent4life.co.uk) | Tel: 0800 500 3001 | VAT No: 942447711

EORI GB942447711000

- Optional CAT5 hose retaining ring (required for category five installations)
- Soap Dish

**Control:**

Easy to use lever handle

**Technical details:**

- Hose length (mm): 2000
- Riser rail (mm): 1000
- Riser colour: White
- Height (mm): 388
- Width (mm): 240
- Depth (mm): 109
- Footprint height (mm): 365
- Footprint width (mm): 218
- Output (kW): 8.5
- Supply rating: 35/40 amp
- Residual Current device: 30mA (must be fitted)
- Isolation Switch: 50 Amp double pole with 3mm contact separation
- Terminal block connections: Max. 10mm<sup>2</sup>
- 6 cable entry points: top, bottom or back
- Supply: Mains pressure cold water feed
- 6 water entry points: top, bottom or back
- Inlet connections: 15mm pipe
- Outlet connection: ½" BSP male
- Min. dynamic pressure: 0.5 - 1 bar
- Max. static pressure: 10 bar
- inlet temperature range: 3 - 28°C
- Water ingress rating: IPX4

**Approvals:**

- WRAS Approved
- BEAB Care Approved
- BEAB Approved

**Manufacturer warranty:**

- 5 year manufacture warranty

## Additional Information

---

Manufacturer	AKW / Contour
Shower Type	Electric
Shower Features	Thermostatic Mixers, Shower Control, Adjustable Riser Rail, Flexible Hose and Handset
Fixings	Concealed
Control	Manual Lever
Hose Length (mm) / Application	2000 / Shower Hose
Water Pressure	Normal Mains
Technologies	Thermostatic Control, Phased Shutdown
Approvals	BEAB Care Mark, BEAB Approved, EMC Mark, UKCA Mark, CE Mark, WRAS Approved