



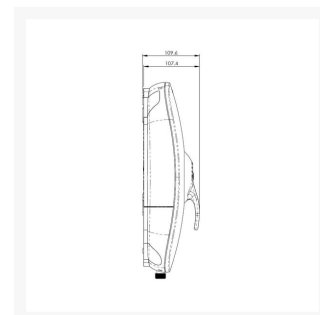
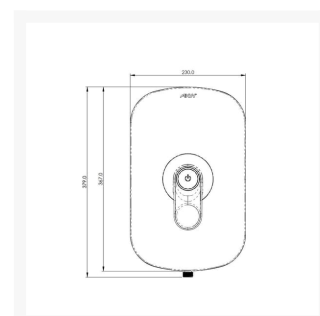
Independent 4 Life

AKW SmartCare Lever White 9.5kW w/ Care Accessory Kit

£382.01 Inc. VAT

Product Code: 29091CGR

Product Images



Description

The AKW SmartCare lever white 9.5kW with a care accessory kit is an expertly designed electric shower encompassing a multitude of features designed to aid with personal or assisted showering.

The shower has also been designed to assist the installer with simple but thoughtful features such as 8 different electric and water entry points, footprint that covers most manufacturer models; this reduces the chances of having to re-tile if retrofitting.

For added reassurance when showering, the included 1000mm riser bar has a 150kg maximum load allowing it to double as a grab bar if needed.

Key benefits:

- Quick and easy to install
- Electronic thermostatic Temperature and Flow Control
- Audible and tactical controls for temperature and flow to assisted users with visual impairments
- Thermostatic control and phased shutdown
- Lever allows for easy one handed operation
- Anti-glare matte finish panel
- Rounded surfaces for added safety if the user falls in the shower
- The 1000mm riser rail has a maximum load of a 150kg so can be used as a grab bar
- 2m anti-kink smooth hose
- Includes a 3 mode shower head
- Suitable for AKW DigiPump (flow sensor or wireless)
- Optional CAT5 hose retaining ring (required for category five installations)
- Soap Dish

Control:

Easy to use lever handle

Technical details:

- Hose length (mm): 2000
- Riser rail (mm): 1000
- Riser colour: White
- Output (kW): 9.5
- Supply rating: 35/40 amp
- Residual Current device: 30mA (must be fitted)
- Isolation Switch: 45A double pole
- Terminal block connections: Max. 10mm²
- 8 cable entry points: top, bottom or back
- Supply: Mains pressure cold water feed
- 8 water entry points: top, bottom or back
- Inlet connections: 15mm pipe
- Outlet connection: ½" BSP male
- Min. dynamic pressure: 0.5 - 1 bar
- Max. static pressure: 10 bar
- Water ingress rating: IPX4

Approvals:

- WRAS Approved
- BEAB Care Approved
- BEAB Approved

Manufacturer warranty:

- 5 year manufacture warranty

Additional Information

Manufacturer	AKW / Contour
Shower Type	Electric
Shower Features	Thermostatic Mixers, Adjustable Riser Rail, Flexible Hose and Handset
Fixings	Concealed
Control	Manual Lever
Hose Length (mm) / Application	2000 / Shower Hose
Water Pressure	Normal Mains
Technologies	Thermostatic Control, Phased Shutdown
Approvals	BEAB Care Mark, BEAB Approved, EMC Mark, UKCA Mark, CE Mark, WRAS Approved