



Independent 4 Life

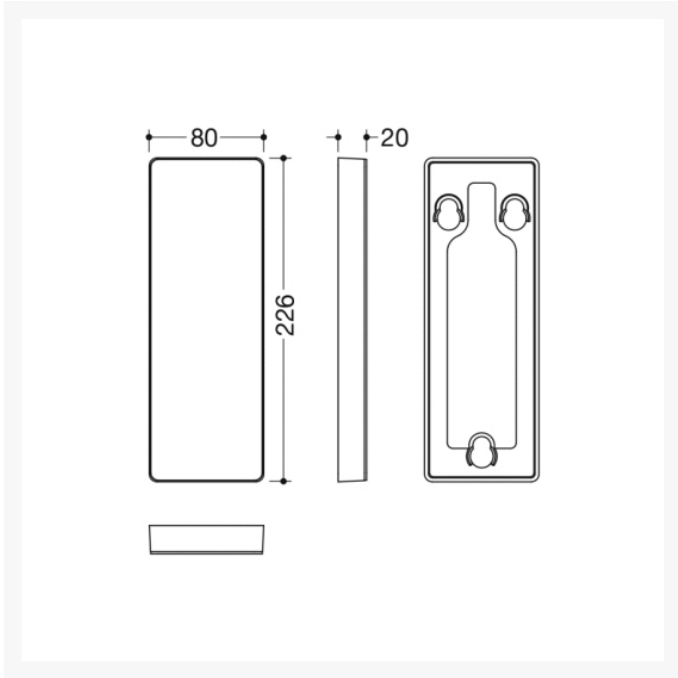
HEWI System 900 - Cover For Mounting - Choice of Finish

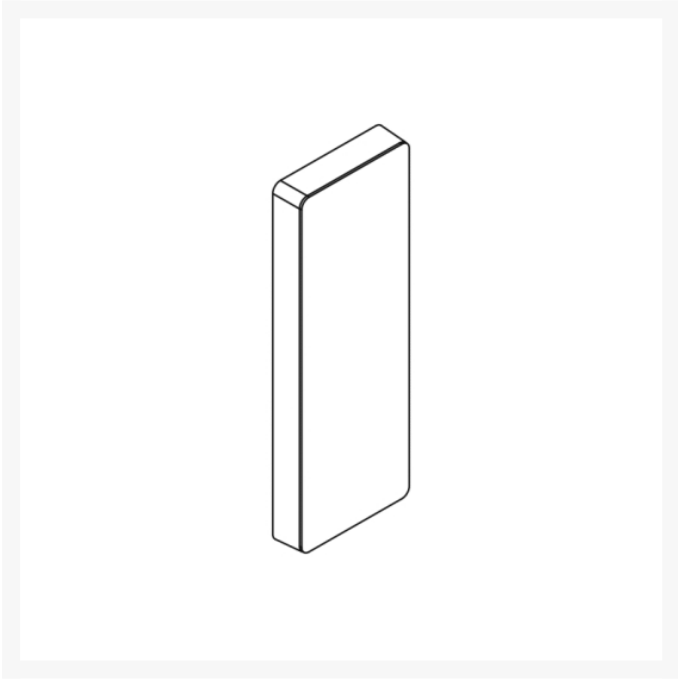
From: £87.72
To: £103.56
Inc. VAT

Product Code: 900.50.002xxxx

Product Images







Product Options

Product code / Finish



900.50.0024092 - Wall Cover for Mounting Plate - Chrome Plated/Anthracite Grey

£81.20

The HEWI cover is designed to disguise fixings when the HEWI mobile handrails are temporarily removed. With a stylish Chrome Plated finish to match the removed handrail and a Anthracite Grey frame. The face plate is made of high-quality stainless steel. 80mm wide, 226mm high and 20mm deep.



900.50.0024098 - Wall Cover for Mounting Plate - Chrome Plated/Signal White

£81.20

The HEWI cover is designed to disguise fixings when the HEWI mobile handrails are temporarily removed. With a stylish Chrome Plated finish to match the removed handrail and a Signal White frame. The face plate is made of high-quality stainless steel. 80mm wide, 226mm high and 20mm deep.



900.50.002XA92 - Wall Cover for Mounting Plate - Satin Finished/Anthracite Grey

£73.10

The HEWI cover is designed to disguise fixings when the HEWI mobile handrails are temporarily removed. With a stylish Satin finish to match the removed handrail and a Anthracite Grey frame. The face plate is made of high-quality stainless steel. 80mm wide, 226mm high and 20mm deep.



900.50.002XA98 - Wall Cover for Mounting Plate - Satin Finished/Signal White

£73.10

The HEWI cover is designed to disguise fixings when the HEWI mobile handrails are temporarily removed. With a stylish Satin finish to match the removed handrail and a Signal White frame. The face plate is made of high-quality stainless steel. 80mm wide, 226mm high and 20mm deep.



900.50.00260AS - Wall Cover for Mounting Plate - Matt White

£86.30

The HEWI cover is designed to disguise fixings when the HEWI mobile handrails are temporarily removed. With a stylish Matt White finish to match the removed handrail. The face plate is made of high-quality stainless steel. 80mm wide, 226mm high and 20mm deep.



900.50.00260CV - Wall Cover for Mounting Plate - Matt Black

£86.30

The HEWI cover is designed to disguise fixings when the HEWI mobile handrails are temporarily removed. With a stylish Matt Black finish to match the removed handrail. The face plate is made of high-quality stainless steel. 80mm wide, 226mm high and 20mm deep.

Description

The HEWI System 900 cover plate is designed to hide or obscure the mounting plate fixings when a HEWI mobile support rail is temporarily removed.

Purchasing these additional appliances can be specifically beneficial for fitting into hotels, Airbnb's, B&B's, and domestic properties. As it creates flexible usage when the rail is not in use or is not required.

Using the System 900 you can create a stylish and flexible handrail installation.

Key benefits:

- Suitable for both wet and dry environments
- **Choice of six finishes / Product Code:**
 - - Matt Black / 900.50.00260CV
 - - Matt White / 900.50.00260AS
 - - Satin Finished/Signal White / 900.50.002XA98
 - - Satin Finished/Anthracite Grey / 900.50.002XA92
 - - Chrome Plated/Signal White / 900.50.0024098
 - - Chrome Plated/Anthracite Grey / 900.50.0024092
- Easy installation
- Pore-free surfaces
- Doc M compliant

Technical details:

- Width of 80mm
- Height of 226mm
- Depth of 20mm
- Secured by fixing screw to prevent unintentional removal

Warranty:

- 1 year manufacturer warranty

Please note:

- The fixing screws/bolts/wall plugs that are not included - the installer should select the correct HEWI System 900 - fixing based on wall type
- Please refer to the installation instructions for more information

Additional Information

Manufacturer	HEWI
Surface Finish	Powder Coated, Smooth
Type	HEWI Mounting Plate Covers
Material	Stainless Steel
Mounting	Wall
Fixings	Concealed
Adjustable	Fixed Height (No Adjustment)