



Independent 4 Life

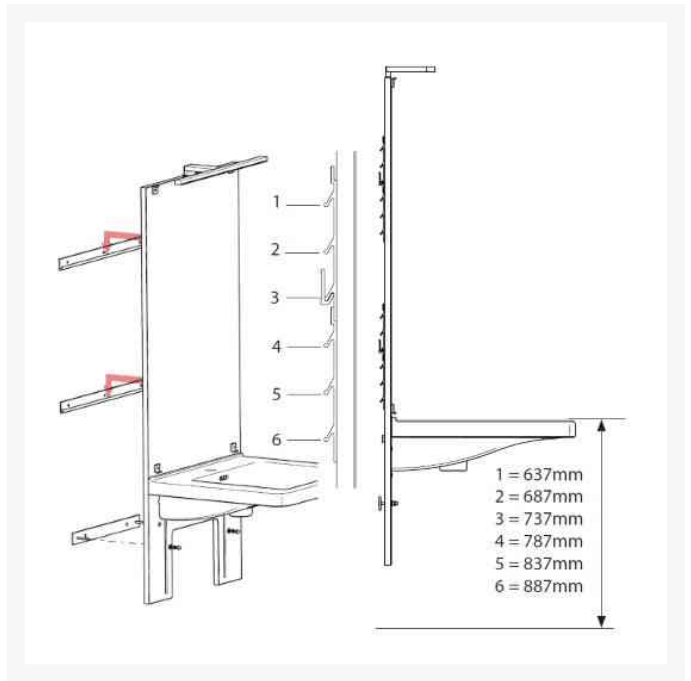
Granberg Basicline 401-01 Manual Height ADJ Bracket, Mirror, LED Light, Basin & Waste Kit - OPT Taps & Flexible Hoses

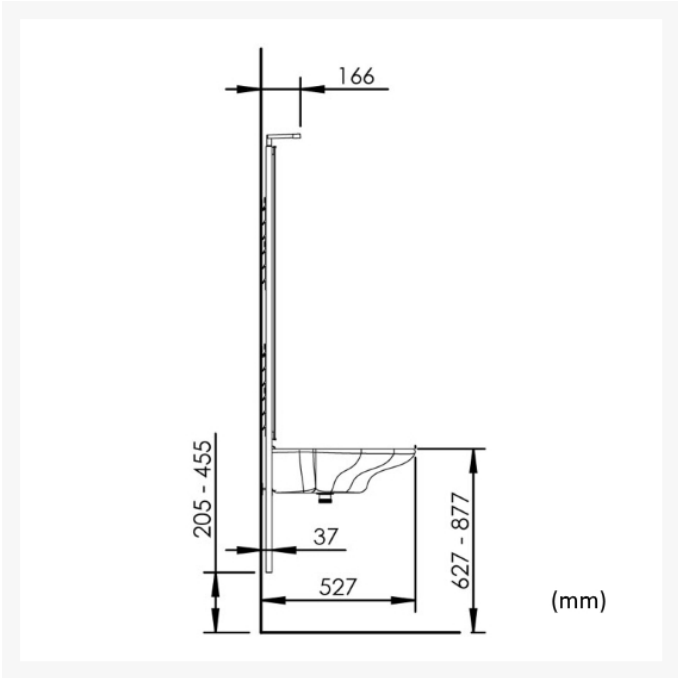
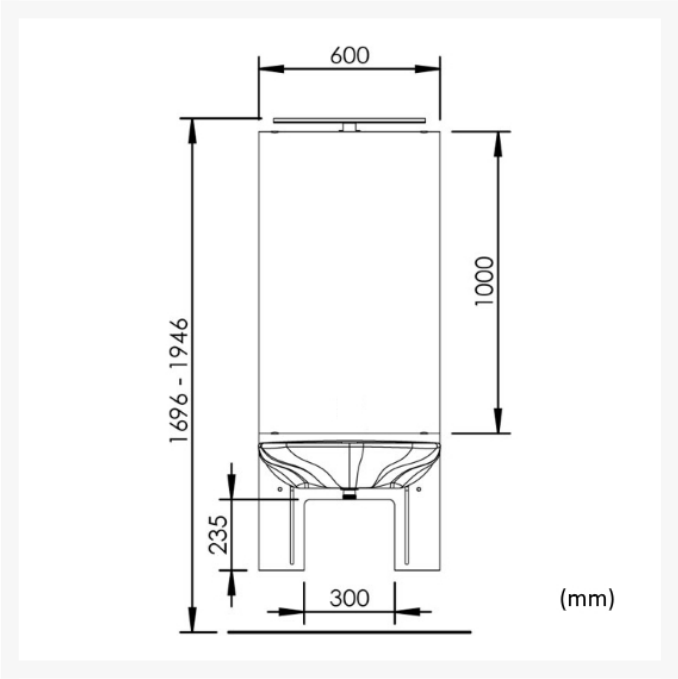
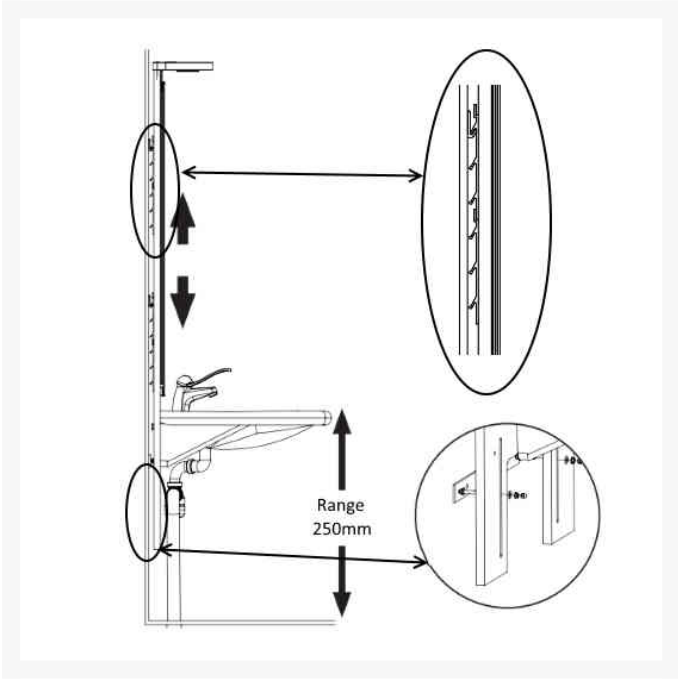
£1,913.76 Inc. VAT

Product Code: 401-01-05

Product Images







Additional Options

Product Code / Optional Mixer Tap & 2x 500mm PEX Hoses	425-105 / FMM Tap, 150mm lever (Not UK - WRAS or TMV approved)	£293.40
	425-106 / FMM Tap, 150mm lever, 1.5m hose hand shower (Not UK - WRAS or TMV approved)	£468.90
	425-110 / FMM Infrared tap, 6V battery (Not UK - WRAS or TMV approved)	£414.00
	IT1005CP-F / Inta Tap, 140mm lever (TMV & WRAS Approved)	£195.41
	IT1006CP-F / Inta Tap, 190mm lever (TMV & WRAS Approved)	£217.90

Description

The Granberg Basicline 401 is a wall mounted manual washbasin bracket with integrated mirror and LED lighting.

Stylish and discreet, the entire system can be manually moved to the required height in 50mm increments and locked into place.

This version includes the 425-001 washbasin.

Key benefits:

- Complete height adjustable basin system with mirror, lighting and basin
- Wheelchair accessible washbasin with shallow bowl and concave front edge
- Discreet styling
- Manual - intended for environments where only occasional height adjustment is required
- Provides 250mm of adjustment in 50mm increments, via hooks on back of panel and 2x securing bolts at bottom of panel
- Depth of leg room under the washbasin (mm): 527
- Includes mirror and lighting which move in tandem with the basin

Includes:

- Granberg Basicline 401 washbasin bracket with mirror and lighting
- Granberg 425-001 porcelain washbasin with overflow and plug
- Granberg 425-331 flexible drain hose with water trap

Optional taps with 2x 500mm PEX flexible hoses:

- Granberg FMM 425-105 basin mixer tap (Shown product images), 150mm lever and PEX hoses
- Granberg FMM 425-106 basin mixer tap, 150mm lever, 1.5m hose hand shower and PEX hoses
- Granberg FMM 425-110 infrared basin mixer tap (6V battery), temperature control and PEX hoses
- Please note: The FMM taps are not UK - TMV rated or WRAS approved for commercial applications
- Inta IT1005CP Sequential TMV3 mixer tap, 140mm lever and PEX hoses - (WRAS Approved)
- Inta IT1006CP Sequential TMV3 mixer tap, 190mm lever and PEX hoses - (WRAS Approved)

Technical details:

- Total width (mm): 600
- Depth of bracket (mm): 37
- Height when mounted at the recommended height (mm): 1696-1946 (adjustable)
- Total depth from front of basin to wall (mm): 527
- Width of washbasin (mm): 600
- Depth of basin (mm): 490
- Distance from front edge to mixer tap lever (mm): 265
- Height from top of basin to floor when mounted at the recommended height (mm): 627-877 (adjustable)
- Max load (kg): 100

Lighting technical details:

- Lighting: Aluminium/plastic, Colour: Chrome
- LED lighting 12V / 6-8W, 4000K (connected to an external switch)
- Transformer: Primary (in) 220-240 V, Secondary (out) 12V

Warranty:

- 2 year manufacturer warranty

Additional Information

Manufacturer	Granberg
Bracket Range	Granberg BASICLINE 401
Bracket Operation	Manual
Bracket Adjustment	Bolt & Hook Adjustment
Height Adjustment (mm)	250
For Wash Basin Range	BASICLINE 425-010
Bracket Mounting	Wall
Safety Stop	No