



Independent 4 Life

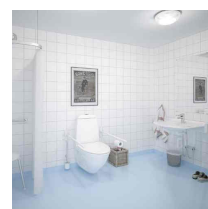
# Granberg Basicline 406-15 Gas Sprung Height ADJ Bracket, Basin, Waste Kit - OPT Taps & Flexible Hoses

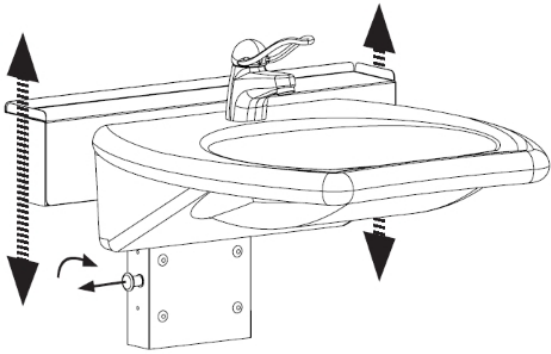
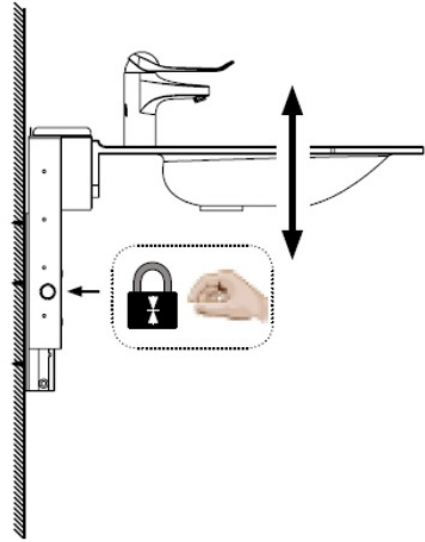
£2,311.20 Inc. VAT

Product Code: 406-15-05

## Product Images

---







## Additional Options

---

<b>Product Code / Optional Mixer Tap &amp; 2x 500mm PEX Hoses</b>	425-105 / FMM Tap, 150mm lever (Not UK - WRAS or TMV approved)	£293.40
	425-106 / FMM Tap, 150mm lever, 1.5m hose hand shower (Not UK - WRAS or TMV approved)	£468.90
	425-110 / FMM Infrared tap, 6V battery (Not UK - WRAS or TMV approved)	£414.00
	IT1005CP-F / Inta Tap, 140mm lever (TMV & WRAS Approved)	£195.41
	IT1006CP-F / Inta Tap, 190mm lever (TMV & WRAS Approved)	£217.90

## Description

---

The Granberg Basicline 406 is a wall mounted manual washbasin lift with gas spring.

Stylish and discreet, the entire system can be manually moved to the required height and locked into place.

This version includes the 425-015 washbasin.

### Key benefits:

- Complete height adjustable basin system
- Manual operation with gas spring - for occasional height adjustments
- Bracket provides 190mm of adjustment in 12mm increments
- Wheelchair accessible rounded washbasin with shallow depth and integrated handrails
- Depth of leg room under the washbasin (mm): 660
- Practical storage shelf behind the washbasin 120mm deep
- Free space below the unit for plumbing connections
- Low level (can be installed beneath a mirror or cabinet)

### Includes:

- Granberg Basicline 406 washbasin lift
- Granberg 425-015 solid surface material washbasin without overflow or plug
- Flexible drain hose with water trap 425-331

### Optional taps with 2x 500mm PEX flexible hoses:

- Granberg FMM 425-105 basin mixer tap (Shown product images), 150mm lever and PEX hoses
- Granberg FMM 425-106 basin mixer tap, 150mm lever, 1.5m hose hand shower and PEX hoses
- Granberg FMM 425-110 infrared basin mixer tap (6V battery), temperature control and PEX hoses
- Please note: The FMM taps are not UK - TMV rated or WRAS approved for commercial applications
- Inta IT1005CP Sequential TMV3 mixer tap, 140mm lever and PEX hoses - (WRAS Approved)
- Inta IT1006CP Sequential TMV3 mixer tap, 190mm lever and PEX hoses - (WRAS Approved)

### Technical details:

- Width (mm): 602
- Height when mounted at the recommended height (mm): 673 - 863 (adjustable)
- Total depth from front of basin to wall (mm): 660
- Width of washbasin (mm): 600
- Depth of basin (mm): 550
- Distance from front edge to mixer tap lever (mm): 315
- Height from top of basin to floor when mounted at the recommended height (mm): 642-832 (adjustable)
- Note: Assistance is required to push the rear of the basin on the downward stroke
- The adjustment toggle, is left hand mounted (this cannot be changed)
- Max. load basin (kg): 50

**Warranty:**

- 2 year manufacturer warranty

**Additional Information**

---

Manufacturer	Granberg
Bracket Range	Granberg BASICLINE 406
Bracket Operation	Gas Assisted
Bracket Adjustment	Manual Pull-out Button
Height Adjustment (mm)	190
For Wash Basin Range	BASICLINE 425-015
Bracket Mounting	Wall
Safety Stop	No