



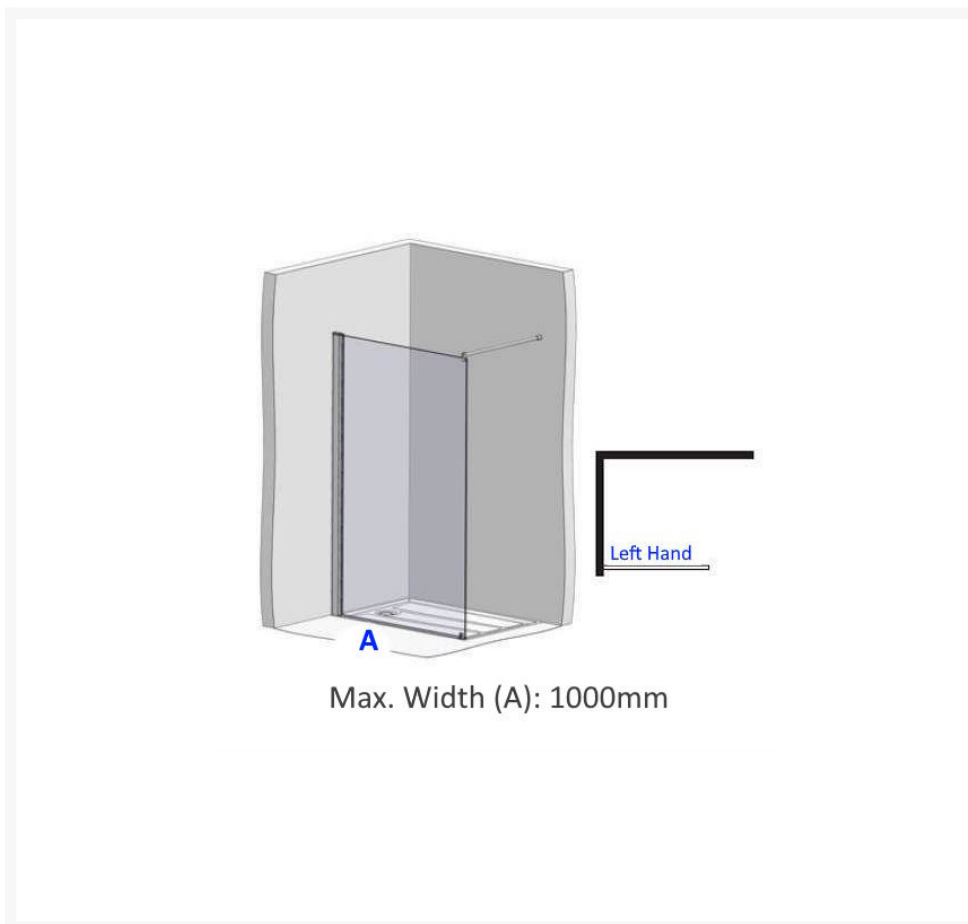
Independent 4 Life

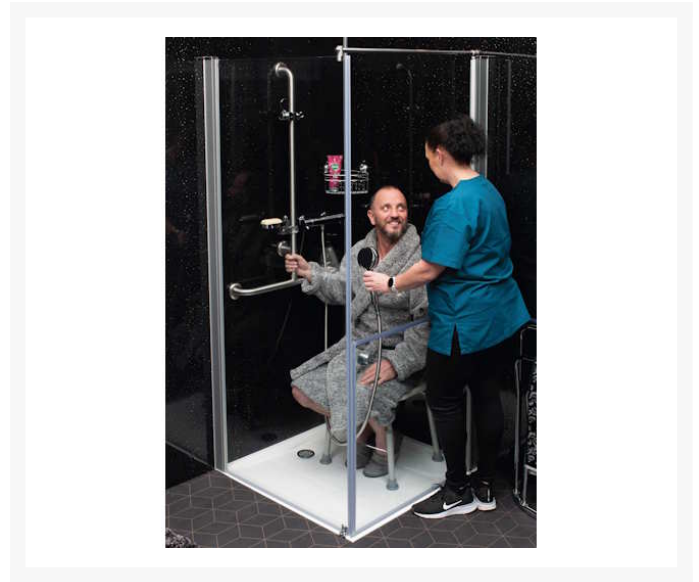
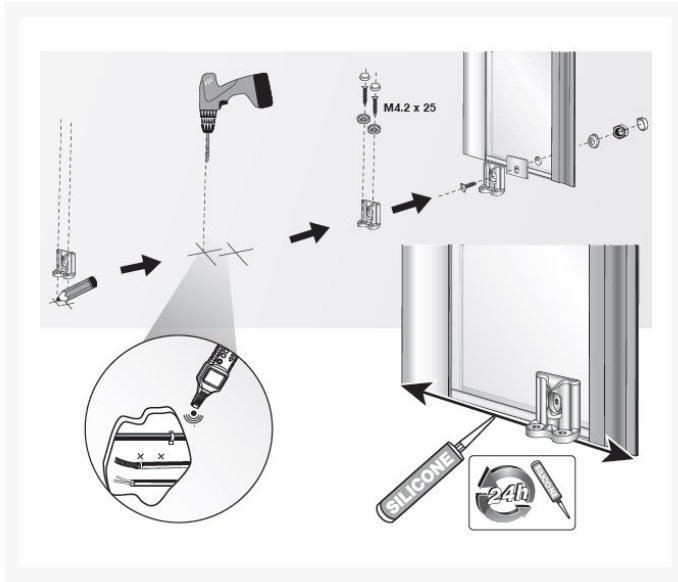
£637.20 Inc. VAT

# EASA Elegance LH Full Height Fixed Panel - Custom Size (A) Min. 200, Max. 1000mm

Product Code: L1L

## Product Images





## Additional Options

<b>Overall width of (A) left-hand fixed panel (min. 200, max. 1000mm)</b>		£0.00
<b>Wall profile compensator</b>	Square - Shower Trays/Floor Tiles	£0.00
<b>Installation type</b>	Inline (Alcove)	£0.00
	Corner	£0.00
<b>Optional - Upgrade to Privacy Glazing</b>	Frosted Glass	£40.00

## Description

This is the standard version of the L1L with one EASA 1900mm full-height fixed shower screen panel. Left-handed, manufactured to your dimensions between a range of 200 and 1000mm. Please state the total panel width required to a maximum of 1000mm.

The shower tray panel is well designed with 6mm thermally toughened safety glass, which is three times stronger than non-tempered glass.

Manufactured from high-quality materials that are easy to clean and maintain with anti-limescale glass.

EASA specialise in the design and manufacture of shower enclosures to suit those with disabilities, reduced mobility and multi-generational living.

### Key benefits:

- Anti-limescale glass for easier cleaning
- Adjustable wall profile
- Customisable total width (mm): 200-1000

- 100% recyclable

### Components:

- 1x fixed left-hand custom width glass panel
- 6mm toughened safety glass
- 1x stainless-steel 1000mm fixed panel lateral support bar (can be cut to length)
- 1x fixed panel mount, works in conjunction with the water seal at the base of the panel
- 1x stainless-steel wall compensator, with chrome cover cap
- A satin finish bracket secures the fixed panel to a shower tray
- Seals and gaskets reduce the risk of water leakage and ensure a watertight seal

### Technical details:

- Fixed glass panel height (mm): 1900
- Wall compensator height (mm): 1920
- Wall compensator depth (mm): 55
- Wall compensator adjustment for off plumb walls of +15 to -24mm
- Customisable total width (min. to max. mm): 200 to 1000
- Please contact us if you require a custom height
- Optional — Frosted toughened safety glass for increased privacy

### Compatibility:

- Can be retro-fitted onto a shower tray with a 40mm flat perimeter
- Wall compensator for shower trays

### Accreditations:

- EU Construction Products Regulation (EU) No 305/2011 (CPR)
- BS EN 14428: 2015 + A1: 2018 Shower Enclosures/Doors
- BS EN 12150-1: 2015 + A1: 2019 Glass in building. Thermally toughened soda lime silicate safety glass
- BS EN 12600: 2002 Glass in building. Pendulum test. Impact test method and classification for their flat glass

### Warranties:

- Accessories have a two-year warranty
- Lifetime warranty against manufacturing and material defects, excluding normal wear and tear in general domestic applications

### Please note:

- This fixed panel is custom made and is **non-returnable**
- The minimum width the "panel" can be manufactured to is **200mm** and the maximum overall width is **1000mm**
- The free width of the "flat perimeter" of your shower tray

## Additional Information

---

Manufacturer	Easa Group
Height (mm)	1900
Shape	Full HT Fixed Panel (Left)
Tray Size (mm)	Custom Shower Tray Size
Handing	Left Hand
Fixed Front Panel Width (mm)	Custom Size 200 to 1000
Door Entry Width (mm)	Custom Width
For Installation On	Shower Trays Only
Glass Thickness (mm)	6
Glazing	Clear - Toughened Safety Glass (TSG)
Finish	Chrome / Stainless Steel