



Independent 4 Life

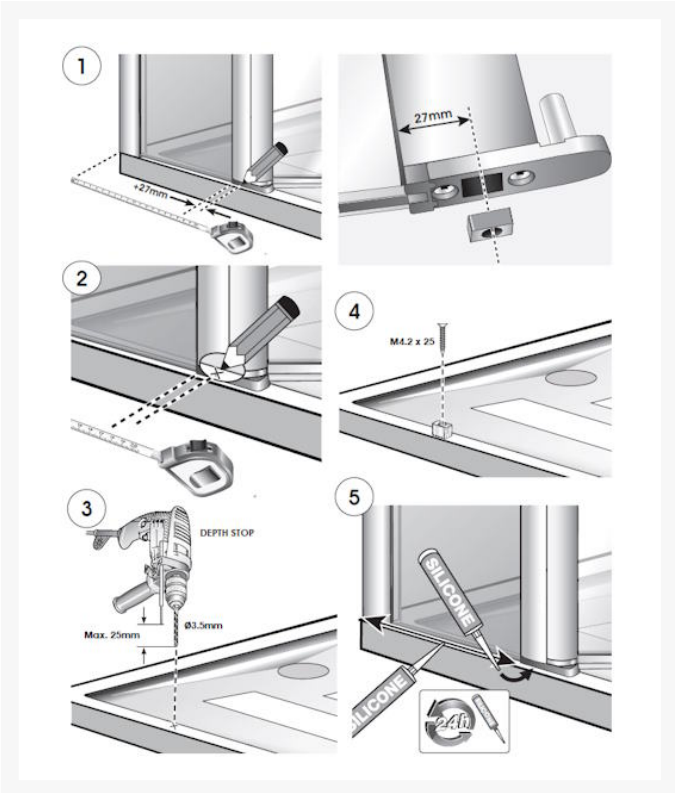
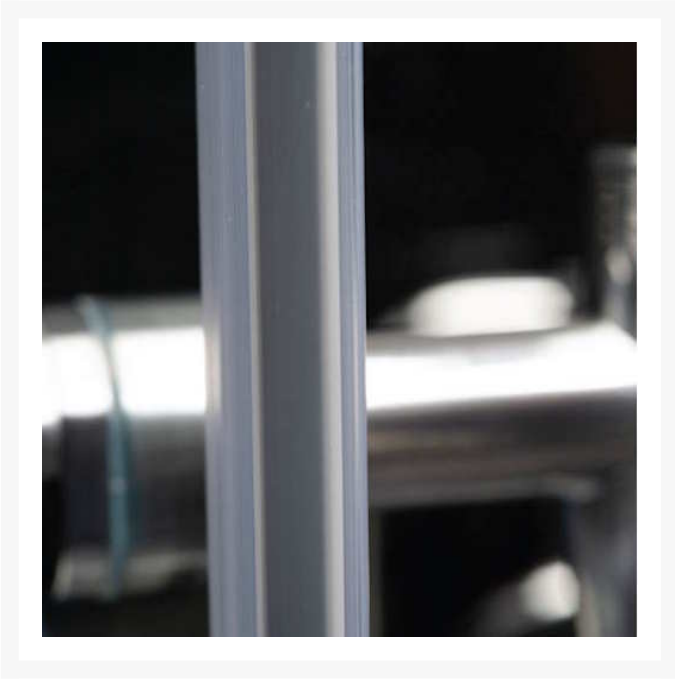
# EASA Elegance LH Fixed Panel w/ Full Height Door - Custom Size (A) Min. 500, Max. 1000mm

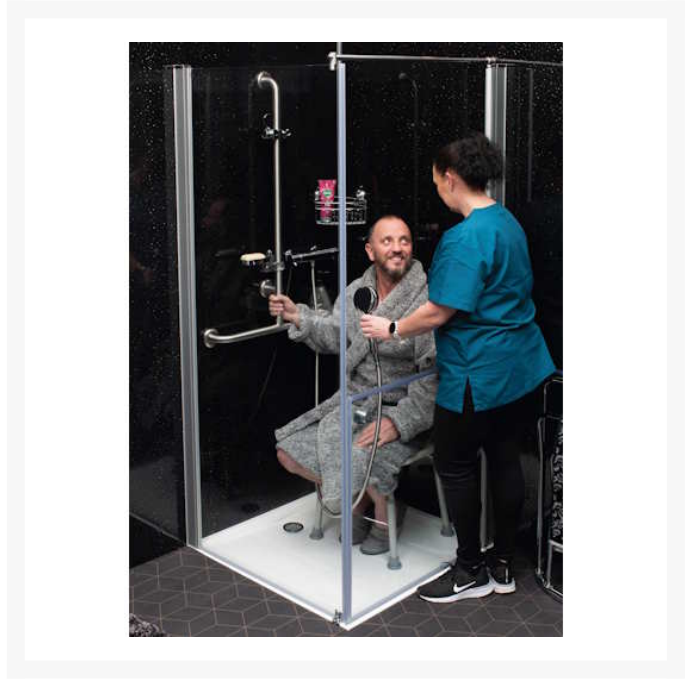
£1,059.60 Inc. VAT

Product Code: L6L

## Product Images







## Additional Options

<b>Overall width of (A) left-hand fixed panel and door (min. 500, max. 1000mm)</b>		£0.00
<b>Total width of left-hand fixed panel (min. 200, max. 400mm)</b>		£0.00
<b>Wall profile compensator</b>	Square - Shower Trays or Floor Tiles	£0.00
<b>Type of door handle</b>	Door Knob	£0.00
	Large Easy Grip Handle	£80.00
<b>Installation type</b>	Inline (Alcove)	£0.00
	Corner	£0.00
<b>Optional - Upgrade to Privacy Glazing</b>	Frosted Glass	£40.00

## Description

Left-hand EASA Elegance 1900mm full height custom width fixed panel with a custom width door hung off the fixed panel.

The stylish design adds a touch of elegance and sophistication to the shower tray area. The doors are well-designed with 6mm thermally toughened safety glass, which is three times stronger than non-tempered

glass.

The door is designed with convenience in mind, with a standard doorknob that can be upgraded to a large easy grip ergonomic handle. Manufactured from high-quality materials that are easy to clean and maintain with a glass anti-limescale coating.

EASA specialise in the design and manufacture of shower enclosures to suit those with disabilities, reduced mobility and multi-generational living.

The fixed panel and full door can be used on its own or configured with other EASA Elegance doors to create your own bespoke assisted easy access shower tray enclosure.

### **Key benefits:**

- The glass is anti-limescale, for easier cleaning
- Adjustable wall profile
- The stainless steel standard doorknob, can be upgraded to a large easy grip ergonomic handle
- Customisable total width (mm): 500-1000
- 100% recyclable

### **Components:**

- 1x left-hand full-height custom width panel and door
- 6mm toughened safety glass
- A satin finish bracket secures the fixed panel to a shower tray
- 1x stainless-steel wall compensator, with chrome cover cap
- Includes a doorknob with a satin anodised finish
- Upgrade to an ergonomic handle
- Seals and gaskets reduce the risk of water leakage and ensure a watertight seal
- Water deflectors on the bottom of the door help to further mitigate water leakage
- The wall profile has a 180-degree door hinge
- Stainless-steel 1000mm fixed panel lateral support bar (cut to length)

### **Technical details:**

- Overall total width of fixed panel and door (Min./Max. mm): 500 to 1000
- Door height (mm): 1900
- Wall compensator height (mm): 1920
- Wall profile adjustment for off plumb walls of +15mm to -24mm
- Fixed panel custom width (Min./Max. mm): 200 to 400
- Door custom width (Min./Max. mm): 300 to 500
- Please contact us if you require a custom height
- Optional - Frosted toughened glass for increased privacy

### **Compatibility:**

- Can be retro-fitted onto a shower tray with a 40mm flat perimeter
- Wall compensator for shower trays

### **Accreditations:**

- EU Construction Products Regulation (EU) No 305/2011 (CPR)
- BS EN 14428: 2015 + A1: 2018 Shower Enclosures/Doors
- BS EN 12150-1: 2015 + A1: 2019 Glass in building. Thermally toughened soda lime silicate safety glass
- BS EN 12600: 2002 Glass in building. Pendulum test. Impact test method and classification for their flat glass

### **Warranties:**

[www.independent4life.co.uk](http://www.independent4life.co.uk) | [info@independent4life.co.uk](mailto:info@independent4life.co.uk) | Tel: 0800 500 3001 | VAT No: 942447711  
EORI GB942447711000

- Accessories have a two-year warranty
- Lifetime warranty against manufacturing and material defects, excluding normal wear and tear in general domestic applications
- The rubber door seals are not covered by the warranty

**Please note:**

- This full height fixed panel and shower door are custom made and **non-returnable**
- The minimum width (A) the "fixed panel" can be manufactured to is **200mm** and the maximum width is **400mm**
- The minimum width (A) the "door" can be manufactured to is **300mm** and the maximum width is **600mm**
- Please ensure accurate dimensions are taken from tile face to tile face or
- The free width of the "flat perimeter" of your shower tray

## Additional Information

---

Manufacturer	Easa Group
Height (mm)	1900
Shape	Full HT Fixed Panel & Door (Left)
Tray Size (mm)	Custom Shower Tray Size
Handing	Left Hand
Front - ADJ Size (mm)	Custom Size 300 to 600
Fixed Front Panel Width (mm)	Custom Size 200 to 400
Door Entry Width (mm)	Custom Width
For Installation On	Shower Trays Only
Glass Thickness (mm)	6
Glazing	Clear - Toughened Safety Glass (TSG)
Finish	Chrome / Stainless Steel