



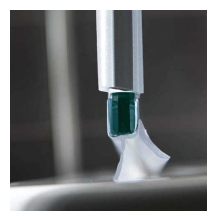
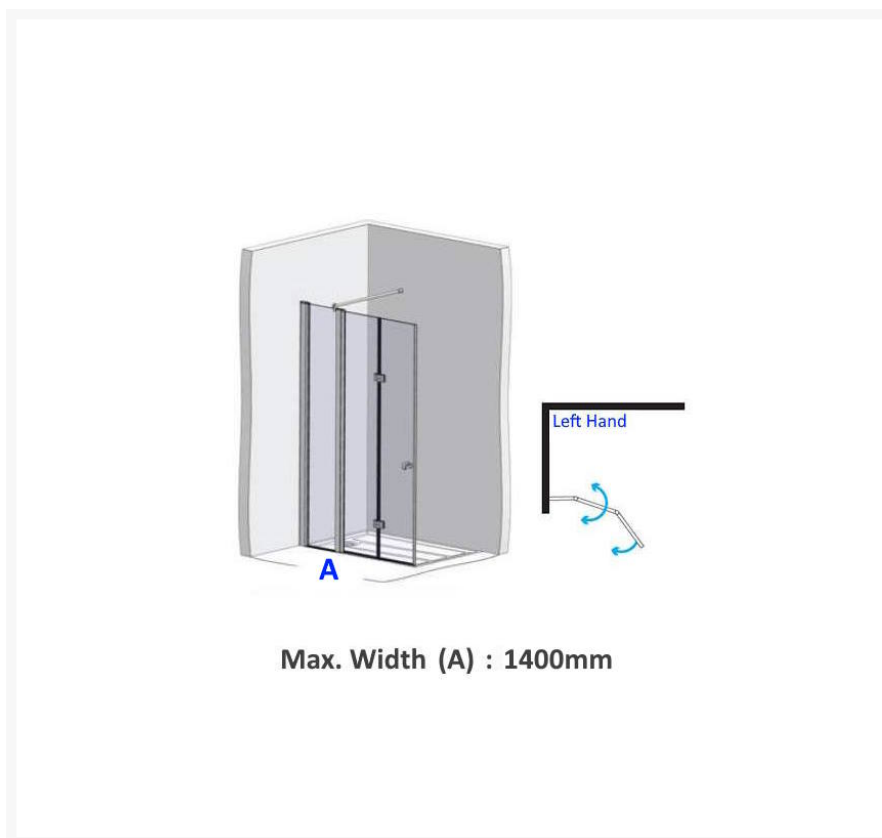
Independent 4 Life

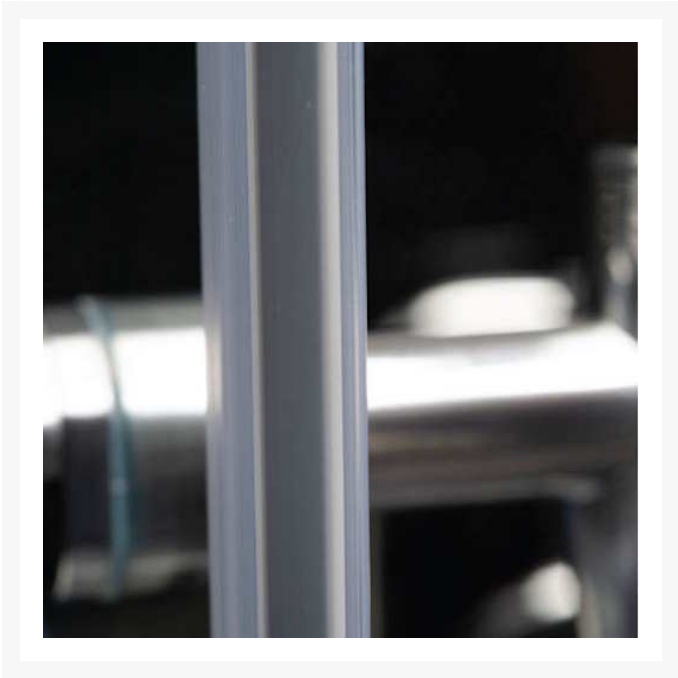
# EASA Elegance LH Fixed Panel w/ Full Height Bi-fold Door - Custom Size (A) Min. 750, Max. 1400mm

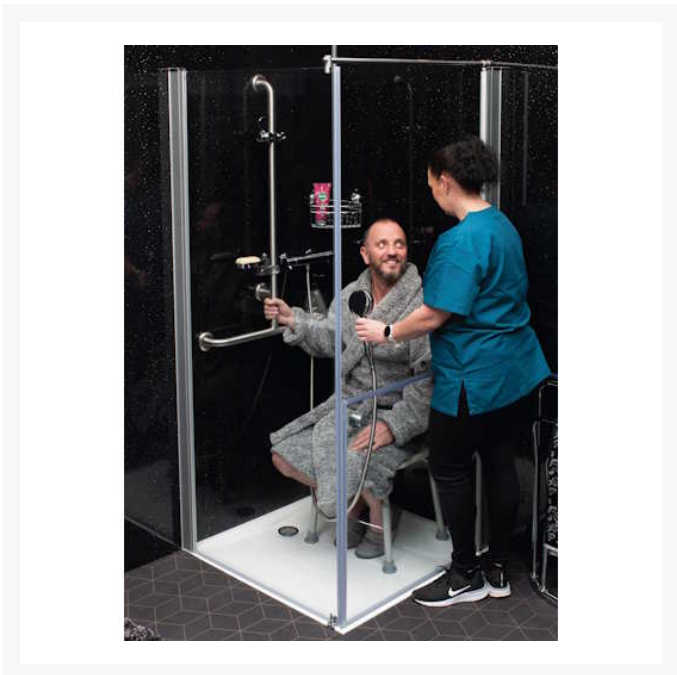
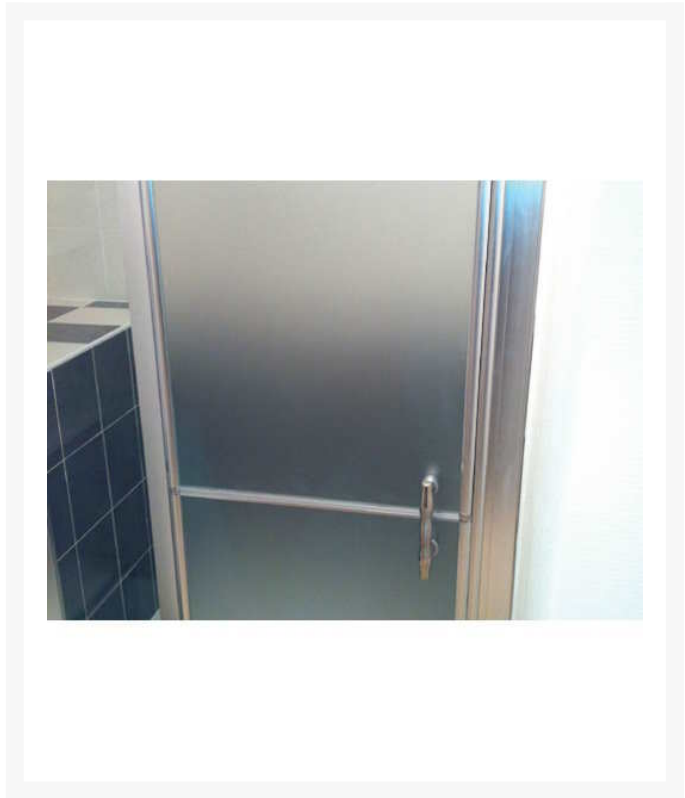
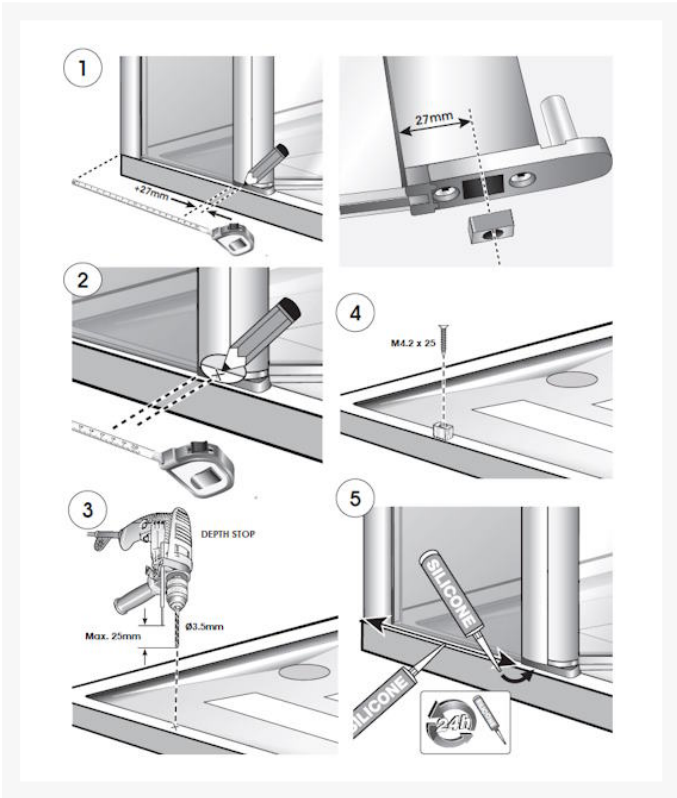
£1,346.40 Inc. VAT

Product Code: L8L

## Product Images







## Additional Options

---

<b>Overall width of (A) left-hand fixed panel with bi-fold door (min. 750, max. 1400mm)</b>		£0.00
<b>Total width of left-hand fixed panel (min. 250, max. 400mm)</b>		£0.00
<b>Wall profile compensator</b>	Square - Shower Trays or Floor Tiles	£0.00
<b>Type of door handle</b>	Door Knob	£0.00
	Large Easy Grip Handle	£80.00
<b>Installation type</b>	Inline (Alcove)	£0.00
	Corner	£0.00
<b>Optional - Upgrade to Privacy Glazing</b>	Frosted Glass	£40.00

## Description

---

Left-hand EASA 1900mm full-height fixed panel with a bi-fold shower door hung from the side for shower trays. Made to your custom width (A) between 750-1400mm overall, with a full height custom width fixed panel at the wall (min. 250 to max. 400mm) and a bi-fold door with a custom width (min. 500 to max. 1000mm) hung off the fixed panel.

The stylish design adds a touch of elegance and sophistication to the shower tray area.

Manufactured from 6mm thermally toughened safety glass, which is three times stronger than non-tempered glass, that are easy to clean and maintain with a glass anti-limescale coating.

The standard doorknob can be upgraded to a large easy grip ergonomic handle.

EASA specialise in the design and manufacture of shower enclosures to suit those with disabilities, reduced mobility and multi-generational living.

The fixed panel and bi-fold door can be used on its own or configured with other EASA Elegance doors and fixed panels to create your own bespoke assisted easy access shower tray enclosure.

### Key benefits:

- The glass is anti-limescale, for easier cleaning
- Adjustable wall profile
- Customisable total width (mm): 750-1400
- Provide barrier free access
- 100% recyclable

### Components:

- 1x left-hand custom width full-height fixed panel and bi-fold door

- 6mm toughened safety glass
- A satin finish bracket secures the fixed panel to a shower tray
- 1x stainless-steel wall compensator, with chrome cover cap
- 1x stainless-steel 1000mm fixed panel lateral support bar (can be cut to length)
- Includes a doorknob with a satin anodised finish
- Upgrade to an ergonomic handle
- Seals and gaskets prevent water leakage and ensure a watertight seal
- Water deflectors on the lower door panels
- Bi-fold door hung off the fixed panel with 180-degree hinge for the door

#### Technical details:

- Fixed glass panel height (mm): 1900
- Bi-fold door overall height (mm): 1900
- Wall compensator height (mm): 1920
- Wall profile adjustment for off plumb walls of +15mm to -24mm
- Overall total width (Min./Max. mm): 750 to 1400
- Fixed panel customizable width (Min./Max. mm): 250 to 400
- Bi-fold door customizable width (Min./Max. mm): 500 to 1000
- Please contact us if you require a custom height
- Optional - Frosted toughened glass for increased privacy

#### Compatibility:

- Can be retro-fitted onto a shower tray with a 40mm flat perimeter
- Wall compensator for shower trays

#### Accreditations:

- EU Construction Products Regulation (EU) No 305/2011 (CPR)
- BS EN 14428: 2015 + A1: 2018 Shower Enclosures/Doors
- BS EN 12150-1: 2015 + A1: 2019 Glass in building. Thermally toughened soda lime silicate safety glass
- BS EN 12600: 2002 Glass in building. Pendulum test. Impact test method and classification for their flat glass

#### Warranties:

- Accessories have a two-year warranty
- Lifetime warranty against manufacturing and material defects, excluding normal wear and tear in general domestic applications
- The rubber door seals are not covered by the warranty

#### Please note:

- This fixed panel and bi-fold shower door is custom made and **non-returnable**
- The minimum width the "fixed panel" can be manufactured to is **200mm** and the maximum overall width is **400mm**
- The minimum width the "bi-fold door" can be manufactured to is **500mm** and the maximum overall width is **1000mm**
- Please ensure accurate dimensions are taken from tile face to tile face or
- The free width of the "flat perimeter" of your shower tray

## Additional Information

---

Manufacturer	Easa Group
Height (mm)	1900
Shape	Full HT Fixed Panel & Bi-Fold Door (Left)
Tray Size (mm)	Custom Shower Tray Size
Handing	Left Hand
Front - ADJ Size (mm)	Custom Size 500 to 1000
Fixed Front Panel Width (mm)	Custom Size 250 to 400
Door Entry Width (mm)	Custom Width
For Installation On	Shower Trays Only
Glass Thickness (mm)	6
Glazing	Clear - Toughened Safety Glass (TSG)
Finish	Chrome / Stainless Steel