



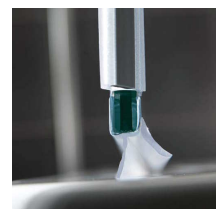
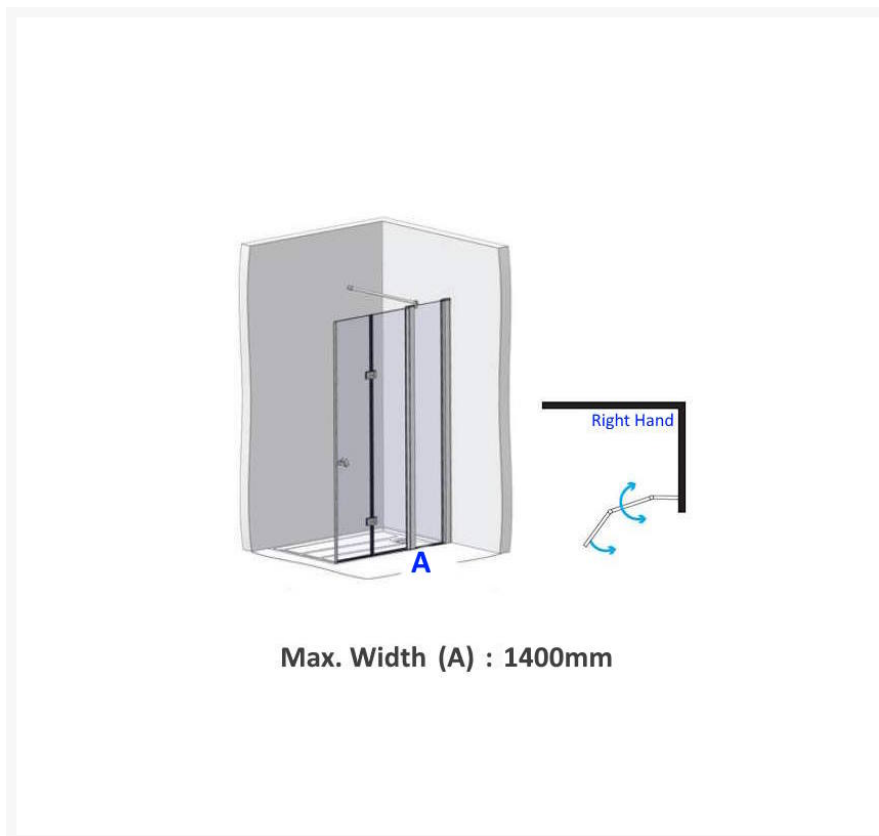
Independent 4 Life

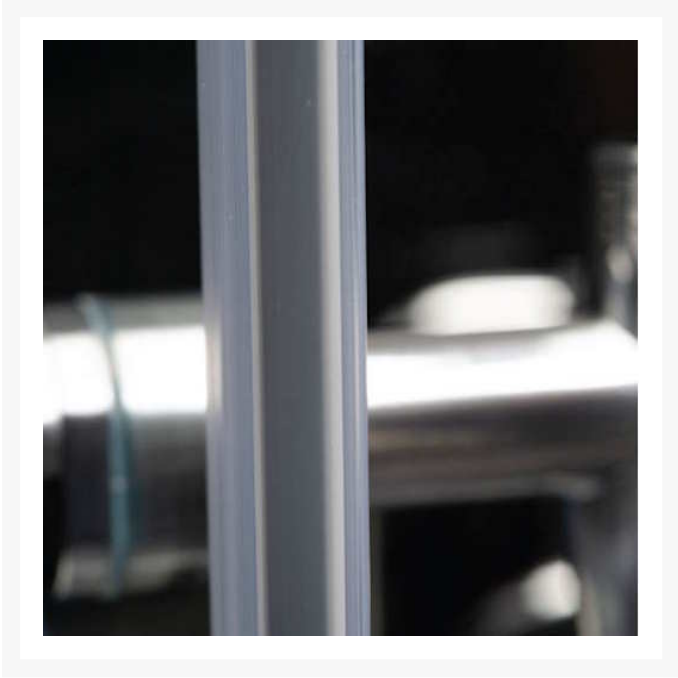
# EASA Elegance RH Fixed Panel with Full Height Bi-fold Door - Custom Size (A) Min. 750, Max. 1400mm

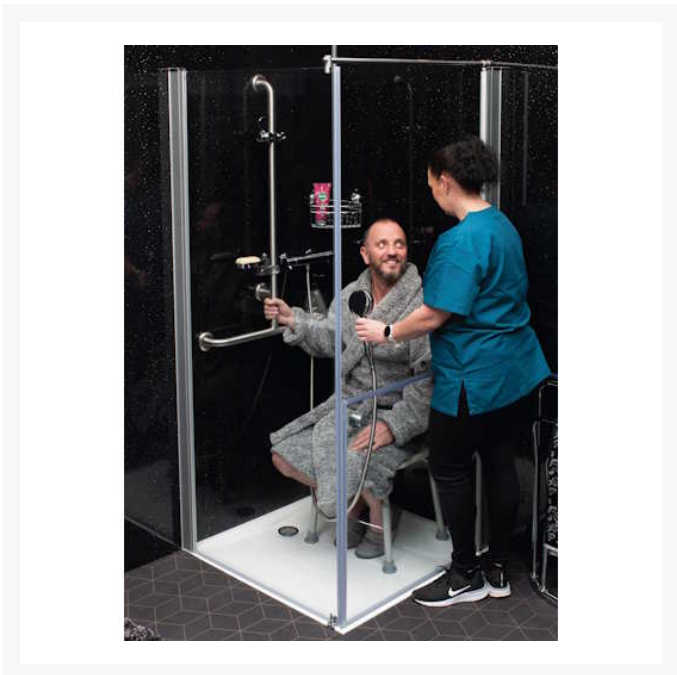
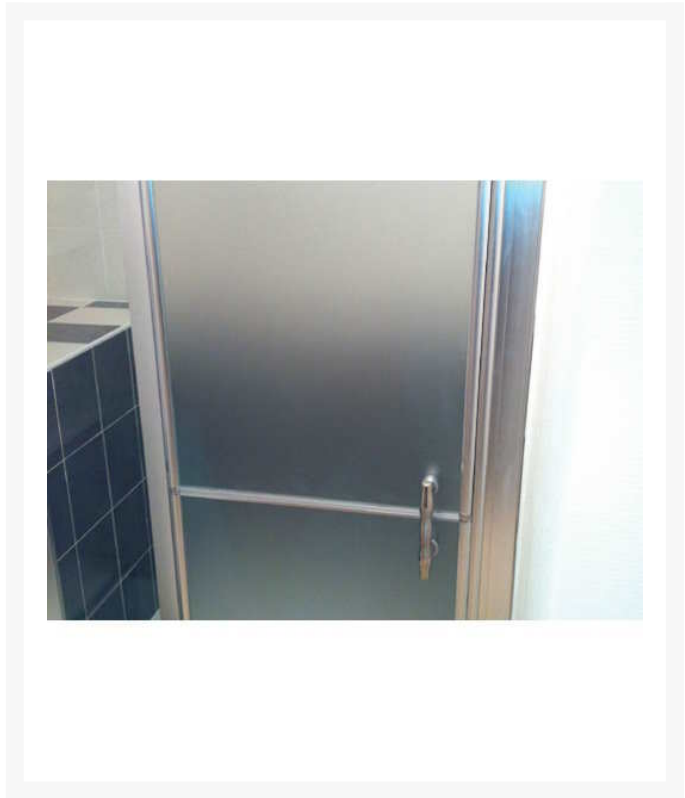
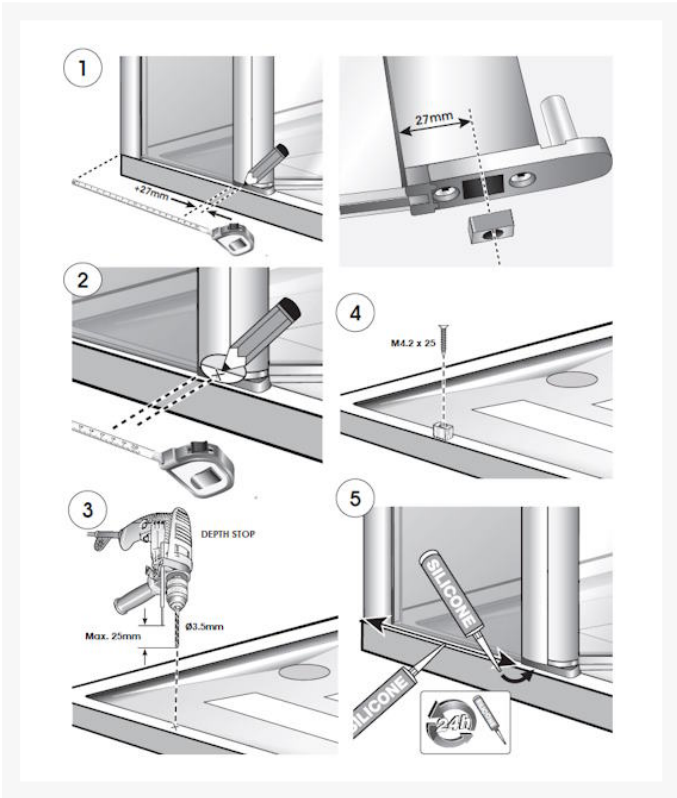
£1,346.40 Inc. VAT

Product Code: L8R

## Product Images







## Additional Options

---

|  |                                      |        |
|--|--------------------------------------|--------|
| <b>Overall width of (A) right-hand fixed panel with bi-fold door (min. 750, max. 1400mm)</b> |                                      | £0.00  |
| <b>Total width of right-hand fixed panel (min. 250, max. 400mm)</b>                          |                                      | £0.00  |
| <b>Wall profile compensator</b>  | Square - Shower Trays or Floor Tiles | £0.00  |
| <b>Type of door handle</b>   | Door Knob                            | £0.00  |
|  | Large Easy Grip Handle               | £80.00 |
| <b>Installation type</b>   | Inline (Alcove)                      | £0.00  |
|  | Corner                               | £0.00  |
| <b>Optional - Upgrade to Privacy Glazing</b>   | Frosted Glass                        | £40.00 |

## Description

---

Right-hand EASA 1900mm full-height fixed panel with a bi-fold shower door hung from the side for shower trays. Made to your custom width (A) between 750-1400mm overall, with a full height custom width fixed panel at the wall (min. 250 to max. 400mm) and a bi-fold door with a custom width (min. 500 to max. 1000mm) hung off the fixed panel.

The stylish design adds a touch of elegance and sophistication to the shower tray area.

Manufactured from 6mm thermally toughened safety glass, which is three times stronger than non-tempered glass, that are easy to clean and maintain with a glass anti-limescale coating.

The standard doorknob can be upgraded to a large easy grip ergonomic handle.

EASA specialise in the design and manufacture of shower enclosures to suit those with disabilities, reduced mobility and multi-generational living.

The fixed panel and bi-fold door can be used on its own or configured with other EASA Elegance doors and fixed panels to create your own bespoke assisted easy access shower tray enclosure.

### Key benefits:

- The glass is anti-limescale, for easier cleaning
- Adjustable wall profile
- Customisable total width (mm): 750-1400
- Provide barrier free access
- 100% recyclable

### Components:

- 1x right-hand custom width full-height fixed panel and bi-fold door

- 6mm toughened safety glass
- A satin finish bracket secures the fixed panel to a shower tray
- 1x stainless-steel wall compensator, with chrome cover cap
- 1x stainless-steel 1000mm fixed panel lateral support bar (can be cut to length)
- Includes a doorknob with a satin anodised finish
- Upgrade to an ergonomic handle
- Seals and gaskets prevent water leakage and ensure a watertight seal
- Water deflectors on the lower door panels
- Bi-fold door hung off the fixed panel with 180-degree hinge for the door

#### Technical details:

- Fixed glass panel height (mm): 1900
- Bi-fold door overall height (mm): 1900
- Wall compensator height (mm): 1920
- Wall profile adjustment for off plumb walls of +15mm to -24mm
- Overall total width (Min./Max. mm): 750 to 1400
- Fixed panel customizable width (Min./Max. mm): 250 to 400
- Bi-fold door customizable width (Min./Max. mm): 500 to 1000
- Please contact us if you require a custom height
- Optional - Frosted toughened glass for increased privacy

#### Compatibility:

- Can be retro-fitted onto a shower tray with a 40mm flat perimeter
- Wall compensator for shower trays

#### Accreditations:

- EU Construction Products Regulation (EU) No 305/2011 (CPR)
- BS EN 14428: 2015 + A1: 2018 Shower Enclosures/Doors
- BS EN 12150-1: 2015 + A1: 2019 Glass in building. Thermally toughened soda lime silicate safety glass
- BS EN 12600: 2002 Glass in building. Pendulum test. Impact test method and classification for their flat glass

#### Warranties:

- Accessories have a two-year warranty
- Lifetime warranty against manufacturing and material defects, excluding normal wear and tear in general domestic applications
- The rubber door seals are not covered by the warranty

#### Please note:

- This fixed panel and bi-fold shower door is custom made and **non-returnable**
- The minimum width the "fixed panel" can be manufactured to is **250mm** and the maximum overall width is **400mm**
- The minimum width the "bi-fold door" can be manufactured to is **500mm** and the maximum overall width is **1000mm**
- Please ensure accurate dimensions are taken from tile face to tile face or
- The free width of the "flat perimeter" of your shower tray

## Additional Information

---

|                              |  |
|------------------------------|--|
| Manufacturer                 | Easa Group                                 |
| Height (mm)                  | 1900                                       |
| Shape                        | Full HT Fixed Panel & Bi-Fold Door (Right) |
| Tray Size (mm)               | Custom Shower Tray Size                    |
| Handing                      | Right Hand                                 |
| Front - ADJ Size (mm)        | Custom Size 500 to 1000                    |
| Fixed Front Panel Width (mm) | Custom Size 250 to 400                     |
| Door Entry Width (mm)        | Custom Width                               |
| For Installation On          | Shower Trays Only                          |
| Glass Thickness (mm)         | 6  |
| Glazing                      | Clear - Toughened Safety Glass (TSG)       |
| Finish                       | Chrome / Stainless Steel                   |