



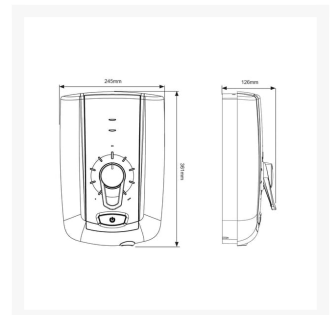
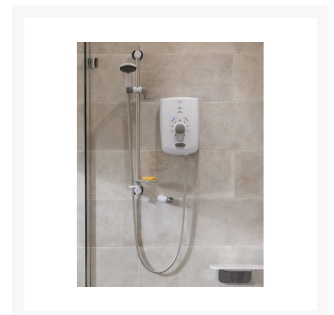
Independent 4 Life

# Triton Omnicare 8.5kW Design w/ 1m Rail & 2m Hose

£416.99 Inc. VAT

Product Code: 25327

## Product Images



## Description

The AKW Triton Omnicare 8.5kW design, with a grab version riser rail kit. Expertly designed, an electric shower encompassing a multitude of features designed to aid with personal or assisted showering. Features, such as a lower-level handset that allows the user to shower standing or sitting, maximum water temperature protection and thermostatic temperature stability.

With multiple pipe and cable entry points, fixing hole kit and footprint, the Omnicare is designed with ease of

[www.independent4life.co.uk](http://www.independent4life.co.uk) | [info@independent4life.co.uk](mailto:info@independent4life.co.uk) | Tel: 0800 500 3001 | VAT No: 942447711

EORI GB942447711000

replacement in mind.

### **Key benefits:**

- Flexibility for seated or standing showering with a lower level handset
- The soft press on/off requires very little force
- Power-on illumination provides audible and visual feedback for ease of use for all users
- Connects to both digital and analogue pumps
- Thermostatically Stabilised Temperature
- Maximum water temperature protection
- Adjustable automatic shutdown time
- Tactile temperature dial with soft grey hues offering a visual contrast
- Dual purpose grab rail
- 940mm grab version riser rail kit
- 2000mm shower hose
- Soap Dish

### **Technical details:**

- Thermostatic stability: +/- 1°C
- Power rating of 8.5kw
- Timed shutdown times (mins): 5, 10, 20, 30 (Default 20)
- Start/stop type: Electronic soft press button
- Water connection: 15mm swivel inlet
- Terminal block: 16mm max cable
- Water pump connections: Analogue and digital (wired)
- Water supply: mains cold water
- Water pressure min: 1 bar
- Water pressure max: 10 bar static
- Removeable cable trims (mm): 38
- Removeable pipe length (mm): 15

### **Approvals:**

- RNIB
- BEAB Care Approved
- BEAB Approved

### **Manufacturer warranty:**

- manufacture warranty

## Additional Information

---

Manufacturer	Triton
Shower Type	Electric
Shower Features	Fixed Riser Rail
Fixings	Concealed
Control	Push Button
Hose Length (mm) / Application	2000 / Shower Hose
Water Pressure	Normal Mains
Technologies	Thermostatic Control, Phased Shutdown, Anti-Scald, Mains Operated
Approvals	BEAB Care Mark, BEAB Approved, RNIB Mark, CE Mark