



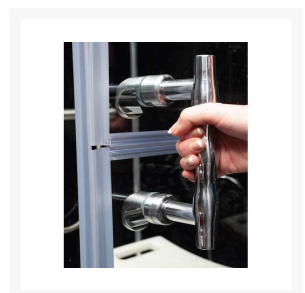
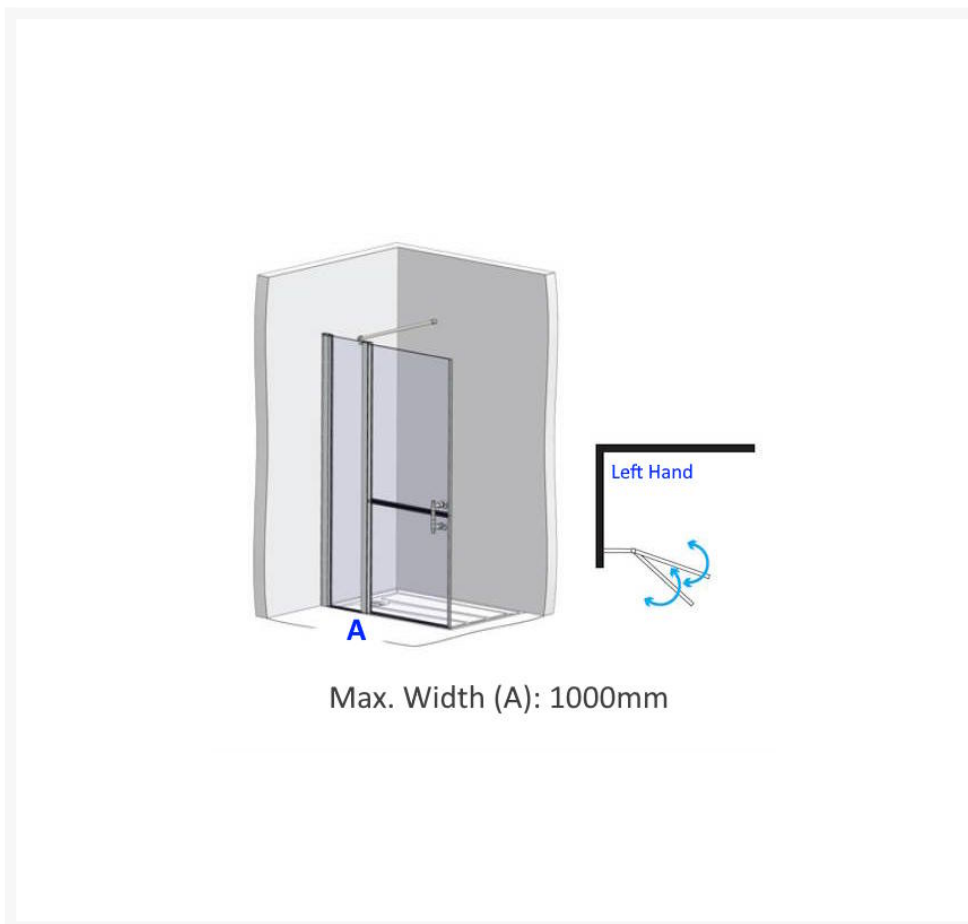
Independent 4 Life

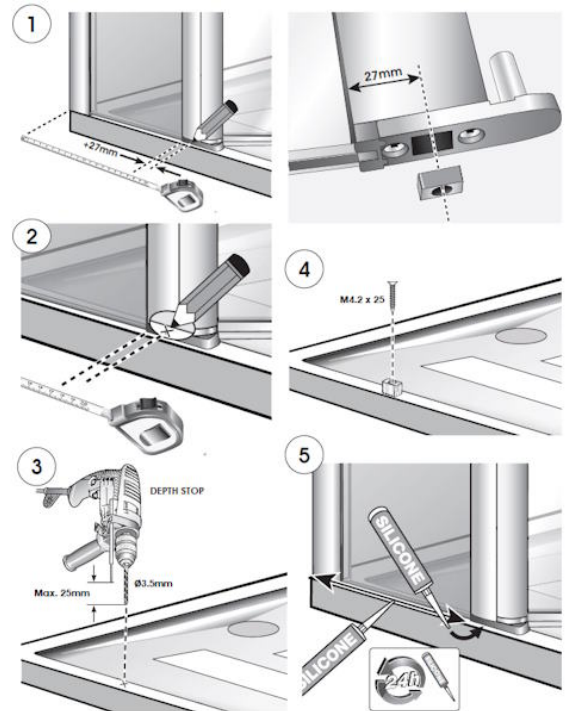
# EASA Elegance LH Fixed Panel & Split Level Door - Custom Size (A) Min. 200, Max. 1000mm

£1,059.60 Inc. VAT

Product Code: L3L

## Product Images







## Additional Options

<b>Overall width of (A) left-hand fixed panel with split-level door (min. 200, max. 1000mm)</b>		£0.00
<b>Total width of left-hand fixed panel (min. 200, max. 400mm)</b>		£0.00
<b>Total width of left-hung split-level door (min. 300, max. 600mm)</b>		£0.00
<b>Wall profile compensator</b>	Square - Shower Trays or Floor Tiles	£0.00
<b>Installation type</b>	Inline (Alcove)	£0.00
	Corner	£0.00
<b>Optional - Upgrade to Privacy Glazing</b>	Frosted Glass	£40.00

## Description

Left-hand EASA full-height fixed panel with a hung split-level shower door. Manufactured to your custom width (A) between 200-1000mm overall, 1900mm full height custom width fixed panel (min. 200 to max. 400mm) with a split-level door custom width (min. 300 to max. 600mm) hung off the fixed panel, ideal for your assisted living bathroom.

The stylish design adds a touch of elegance and sophistication to a shower tray. The doors are well-designed with 6mm thermally toughened safety glass, which is three times stronger than non-tempered glass.

The split-level door is designed with convenience in mind, manufactured from high-quality materials that are

[www.independent4life.co.uk](http://www.independent4life.co.uk) | [info@independent4life.co.uk](mailto:info@independent4life.co.uk) | Tel: 0800 500 3001 | VAT No: 942447711

EORI GB942447711000

easy to clean and maintain with a glass anti-limescale coating.

EASA specialise in the design and manufacture of shower enclosures to suit those with disabilities, reduced mobility and multi-generational living.

The fixed panel and split-level door can be used on its own or configured with other EASA Elegance doors and fixed panels to create your own bespoke assisted easy access shower tray enclosure.

### **Key benefits:**

- Allows for carers to stay dry while assisting the client in the shower
- The glass is anti-limescale, for easier cleaning
- Adjustable wall profile
- Stainless steel magnetic locking handle
- Customisable total width (mm): 200-1000
- Provide barrier free access for those who require assistance showering
- 100% recyclable

### **Components:**

- 1x left-hand custom width full-height fixed panel and split-level door
- 6mm toughened safety glass
- A satin finish bracket secures the fixed panel to a shower tray
- 1x stainless-steel wall compensator, with chrome cover cap
- 1x stainless-steel 1000mm fixed panel lateral support bar (can be cut to length)
- Split-level interlocking ergonomic, magnetic door handle for trouble-free operation
- Seals and gaskets prevent water leakage and ensure a watertight seal
- Water deflectors on the lower door panels
- Split-level door hung off the fixed panel with 180-degree hinge for the door

### **Technical details:**

- Fixed glass panel height (mm): 1900
- Split-level door overall height (mm): 1900
- Lower door height (mm): 800
- Upper door height (mm): 1100
- Wall compensator height (mm): 1920
- Wall profile adjustment for off plumb walls of +15mm to -24mm
- Overall total width (Min./Max. mm): 200 to 1000
- Fixed panel customizable width (Min./Max. mm): 200 to 400
- Split-level door customizable width (Min./Max. mm): 300 to 600
- Please contact us if you require a custom height
- Optional - Frosted toughened glass for increased privacy

### **Compatibility:**

- Can be retro-fitted onto a shower tray with a 40mm flat perimeter
- Wall compensator for shower trays

### **Accreditations:**

- EU Construction Products Regulation (EU) No 305/2011 (CPR)
- BS EN 14428: 2015 + A1: 2018 Shower Enclosures/Doors
- BS EN 12150-1: 2015 + A1: 2019 Glass in building. Thermally toughened soda lime silicate safety glass
- BS EN 12600: 2002 Glass in building. Pendulum test. Impact test method and classification for their flat glass

## Warranties:

- Accessories have a two-year warranty
- Lifetime warranty against manufacturing and material defects, excluding normal wear and tear in general domestic applications
- The rubber door seals are not covered by the warranty

## Please note:

- This split-level shower door and fixed panel is custom made and **non-returnable**
- The minimum width the "fixed panel" can be manufactured to is **200mm** and the maximum overall width is **400mm**
- The minimum width the "split-level door" can be manufactured to is **300mm** and the maximum overall width is **600mm**
- Please ensure accurate dimensions are taken from tile face to tile face or
- The free width of the "flat perimeter" of your shower tray

## Additional Information

---

Manufacturer	Easa Group
Height (mm)	1900
Shape	Full HT Fixed Panel & Split Door (Left)
Tray Size (mm)	Custom Shower Tray Size
Handing	Left Hand
Front - ADJ Size (mm)	Custom Size 300 to 600
Fixed Front Panel Width (mm)	Custom Size 200 to 400
Door Entry Width (mm)	Custom Width
For Installation On	Shower Trays Only
Glass Thickness (mm)	6
Glazing	Clear - Toughened Safety Glass (TSG)
Finish	Chrome / Stainless Steel