



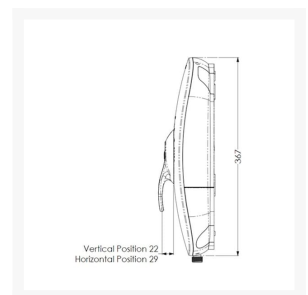
Independent 4 Life

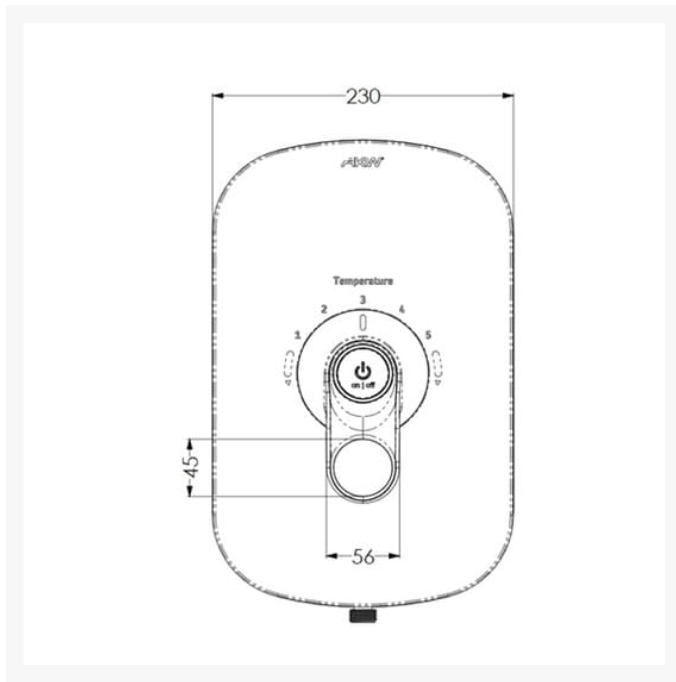
£1,659.60 Inc. VAT

AKW SmartCare Lever White 8.5kW Wireless w/ M11 Pump & Screedmaster

Product Code: 29112WH

Product Images





Additional Options

Product Code / Optional Shower Kit	29050CH / AKW Care Shower Accessory Kit w/ rail Chrome 2m Hose	£137.44
---	---	---------

Description

The AKW 8.5kW SmartCare lever white electric shower with an M11 pump and screedmaster waste. This electric shower is expertly designed, encompassing a multitude of features designed to aid with personal or assisted showering; features, such as the easily adjustable 3-mode shower head that is ideal for multi-user environments, 2m long hose helps with assisted showering and 1m rail that can be used as a grab rail if necessary.

The shower has also been designed to assist the installer with simple but thoughtful features such as 8 different electric and water entry points, dual power blocks for right or left-hand wiring and a footprint that covers most manufacturer models; this reduces the chances of having to re-tile if retrofitting.

For added reassurance when showering, the included 1m riser bar has a 150kg maximum load allowing it to double as a grab bar if needed.

Key benefits:

- Thermostatic control ensures safety from scalding
- Phased/auto shutdown reduces the risk of flooding
- Audible temperature control clicks aid users with visual impairments or sight loss
- Finish is designed to reduce glare for users with dementia
- Mid-grey lever provides colour contrast against white shower unit, helpful for users with visual impairment

- Easy to use one handed lever handle
- Rounded edges and surfaces reduces risk of injury
- Easily adjustable shower head
- Shower head is easily removeable for multi-user environments or for a carer
- Quick and easy installation
- Retro-fit footprint covers most manufactures' models so no re-tiling is required
- Care Kit: 2m anti-kink smooth hose, 150kg load-bearing 1m rail, easy adjust shower head - Easily adjustable shower head for multi user but also removable for a carer
- Standard Kit: 2m anti-kink smooth hose, 1m riser rail, easy adjust shower head - Easily adjustable shower head for multi user but also removable for a carer

Optional Care Shower Accessory Kit:

- Care Shower Accessory Kit with rail Chrome 2m Hose (Product Code: 29050CH)
- Care Kit: 2m anti-kink smooth hose, 150kg load-bearing 1m rail, easy adjust shower head - Easily adjustable shower head for multi user but also removable for a carer

Includes AKW Screedmaster 15mm John Guest Speedfit Outlet Pumped Waste (Product Code: 25100):

- Locking top cover for added security and safety
- Top access - easy to clean
- Includes clamping ring for fitting flexible sheet flooring in wet rooms
- For use when laying a traditional screeded wet floor area
- Manufactured in white ABS - will withstand wheelchair and shower seat leg loadings
- 32mm depth
- Includes the John Guest Speed Fitting Adapter Locking Ring

Technical details:

- Height (mm): 380
- Width (mm): 230
- Depth exc lever (mm): 85
- Depth inc. lever (mm): 110
- Footprint Height (mm): 345
- Footprint Width (mm): 210
- Riser rail (m): 1
- Riser colour: White
- Output (kW): 8.5
- Supply rating: 35/40A
- 8 cable entry points: top, bottom, rear and side and left or right
- Supply: Mains pressure cold water feed
- Inlet water temperature range: 2°C – 28°C
- 8 water entry points: top, bottom, rear and side and left or right
- Inlet connections: 15mm pipe
- Outlet connection: ½" BSP male
- Optimal minimum dynamic pressure: 1 bar
- Minimum maintained pressure: 0.5 bar
- Maximum pressure: 10.0 bar
- Residual current device: 30mA (must be fitted)
- Water ingress rating: IPX4

Approvals:

- WRAS Approved
- BEAB Care Approved

- BEAB Approved

Manufacturer warranty:

- 5 year manufacture warranty

Additional Information

Manufacturer	AKW / Contour
Shower Type	Electric
Shower Features	Thermostatic Mixers, Shower Head, Fixed Riser Rail, Flexible Hose and Handset
Fixings	Concealed
Control	Manual Lever
Hose Length (mm) / Application	2000 / Shower Hose
Water Pressure	Normal Mains
Technologies	Thermostatic Control, Phased Shutdown, Anti-Scald, Temperature Control Lever, Mains Operated, Wireless / Wired Pump Control
Approvals	BEAB Care Mark, BEAB Approved, EMC Mark, UKCA Mark, CE Mark, WRAS Approved