



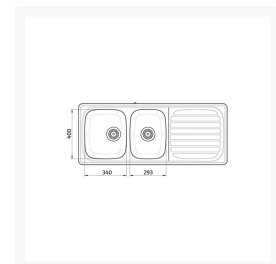
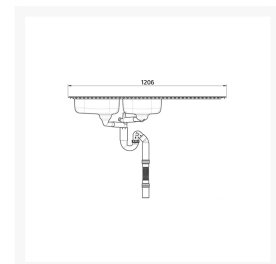
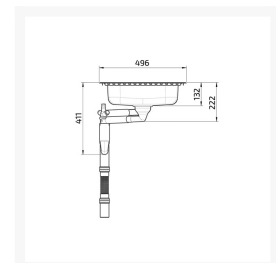
Independent 4 Life

£1,097.28 Inc. VAT

Granberg SS Insulated Inset/Under-mount Kitchen Sink ES35 - 120.6 cm, Inc. Flexible Waste Kit

Product Code: 618ES35-121

Product Images

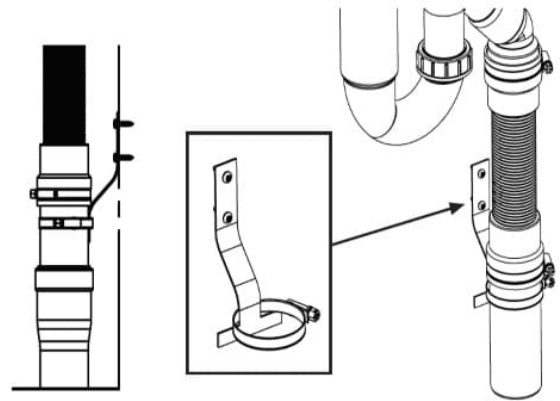




Inset



Undermounted





Additional Options

Optional accessories	WFC-3754000 - Wolfcraft Ø 35mm (1 3/8") Tap Hole Cutter	£17.55
	618-020 - Strainer Waste Kit	£53.10
	618-021 - Rotary Valve for a 90mm Dia. Sink Waste	£174.60
	618-025 - Teak Chopping Board for Sink Bowl 293x400mm	£163.80
	618-026 - Teak Chopping Board for Sink Bowl 340x400mm	£131.40
	618-023 - Cutlery Box for Rinsing Bowl 160x295mm	£54.00
	618-024 - Wire Basket for Sink Bowl 340x400mm	£53.10
	618-027 - Vegetable Rinsing Bowl 160x295mm	£48.60
	618-022 - Sink / Worktop 500ml Soap Dispenser	£73.80

Description

The Granberg ES 35 is an excellent shallow two bowl kitchen sink with draining board, its high quality materials making it ideal for both domestic and commercial installations.

With one and half bowls both with a shallow depth of just 120mm, this sink is ideal for inseting into a height adjustable worktop lift with space for a draining board, providing a comfortable food preparation and dishwashing area.

Key benefits:

- Provides more space below the sink for the user's legs and knees
- Insulated to protect the users legs and knees
- Main dishwashing with a depth of 120mm
- Secondary bowl with a depth of 120mm
- Central positioned wastes
- Shallow waste traps with 90mm dia. waste outlets for each sink bowl
- Ideal for installing in a height adjustable worktop system
- Smooth stainless steel construction
- Universal flange allows it to be inset or under-mounted
- Free space either side of the bowls for mounting a monobloc tap - requires tap hole cutter
- Turn able for left or right side use
- Includes manual basket wastes, overflows and water traps
- Waste kit includes inlet options for washing machine and dishwasher waste feeds
- Includes 200-650mm flexible waste kit (Product Code: 61801)

Technical details:

- For cabinet size (mm): 800
- Outer dimensions (mm): 1206 x 496
- Main bowl dimensions (mm): 340 x 400
- Bowl depth (mm): 120
- Secondary bowl dimensions (mm): 293 x 400
- Bowl depth (mm): 120
- Depth of free space for tap (mm): 60 x 60
- Plate thickness: 0.8mm, smooth stainless steel
- INSET - Dimensions of cut-out hole (mm): 1180 x 474
- Reversible, for right or left
- Incl. basket valve and water trap with flexible drain hose

Mounting - Inset

- A hole is cut in the worktop and the inset sink is put in position from above. The inset sink is then fastened underneath with fittings while the outer edge lies on top of the worktop. This method is suitable for all types of worktop materials except natural stone. The hole is made on site by a fitter.

Mounting - Under-mounted

- A hole with an edge is milled out in the worktop from below. The inset sink is then glued on from underneath. The thickness of the visible material above the sink varies depends on the thickness of material i.e. solid surface or acrylic stone.

Recommended optional accessories:

- 2x 4G4S0801 - Heat insulation pads (mm): 500 x 500 x 6
- WFC-3754000 - Ø 35mm (1 3/8") Tap Hole Cutter
- 618-020 - Strainer Waste Kit
- 618-021 - Rotary Valve for a 90mm Dia. Sink Waste
- 618-025 - Teak Chopping Board for Sink Bowl 293 x 400mm
- 618-026 - Teak Chopping Board for Sink Bowl 340 x 400mm
- 618-024 - Wire Basket for Sink Bowl 340 x 400mm
- 618-023 - Cutlery Box for Rinsing Bowl 160 x 295mm
- 618-027 - Vegetable Rinsing Bowl 160 x 295mm
- 618-022 - Sink / Worktop 500ml Soap Dispenser

Heat insulation pads - Technical details:

- 2x Heat insulation pads (mm): 500 x 500 x 6
- Can be cut to size as required
- Materials: Grey neoprene sponge rubber
- Flame resistant
- Temperature resistant acrylic adhesive
- Supplied separately with self-adhesive backing
- See PDF data sheet for more information

Warranty:

- 2 year manufacturer warranty

Formerly referred to as the ESi 35

Additional Information

Manufacturer	Granberg
For Cabinet Size (mm)	800
Heat Insulated	Yes - Supplied (Self Fit)
Bowl Depth (mm)	120
Sink Installation	Inset, Undermount