



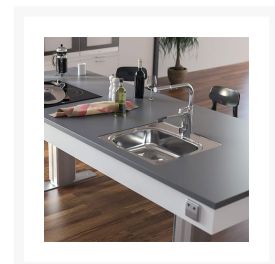
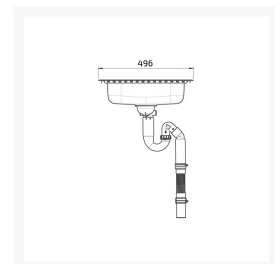
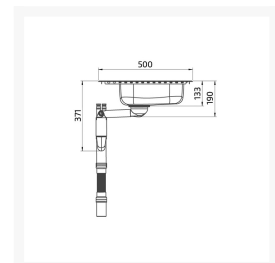
Independent 4 Life

£661.32 Inc. VAT

Granberg SS Insulated Inset/Under-mount Kitchen Sink ES11 - 49.6 cm, Inc. Flexible Waste Kit

Product Code: 618ES11-050

Product Images

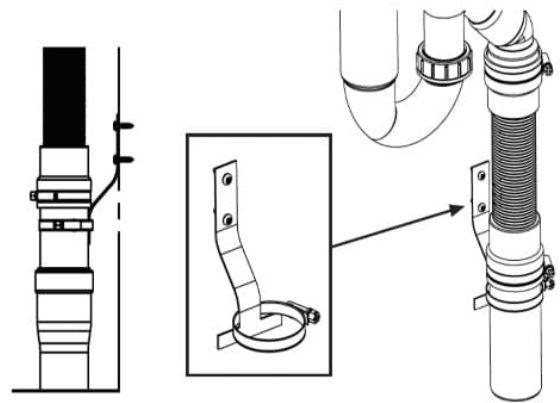
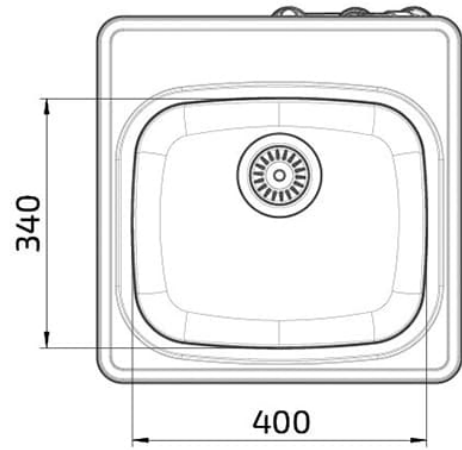




Inset



Undermounted





Additional Options

Optional accessories	WFC-3754000 - Wolfcraft Ø 35mm (1 3/8") Tap Hole Cutter	£17.55
	618-020 - Strainer Waste Kit	£53.10
	618-021 - Rotary Valve for a 90mm Dia. Sink Waste	£174.60
	618-026 - Teak Chopping Board for Sink Bowl 340x400mm	£131.40
	618-024 - Wire Basket for Sink Bowl 340x400mm	£53.10
	618-022 - Sink / Worktop 500ml Soap Dispenser	£73.80

Description

The Granberg ES 11 is an excellent space saving shallow bowl kitchen sink, its high quality materials making it ideal for both domestic and commercial installations.

With one bowl and a shallow depth of just 120mm, this sink is ideal for inseting into a height adjustable worktop lift for a compact kitchen adaptation where space is limited.

Key benefits:

- Provides more space below the sink for the users legs and knees
- Insulated to protect the users legs and knees
- Shallow dishwashing bowl with a depth of 120mm
- Waste and overflow positioned to the rear of the sink bowl
- Shallow waste trap with 90mm dia. waste outlet
- Ideal for installing into a height adjustable worktop system
- Smooth stainless steel construction
- Universal flange allows it to be inset or under-mounted
- Free space to rear of sink bowl for tap - requires tap hole cutter
- Includes manual basket waste, overflow and water trap
- Waste kit includes inlet options for washing machine and dishwasher waste feeds
- Includes 200-650mm flexible waste kit (Product Code: 61801)

Technical details:

- For cabinet size (mm): 500
- Plate thickness: 0.8mm, smooth stainless steel
- Outer dimensions (mm): 500 x 496
- Bowl dimensions (mm): 400 x 340
- Bowl depth (mm): 120
- Depth of free space for tap (mm): 60
- Mounting: Inset or under-mounted
- INSET - Dimensions of cut-out hole (mm): 480 x 474
- Incl. basket valve and water trap with flexible drain hose

Mounting - Inset

- A hole is cut in the worktop and the inset sink is put in position from above. The inset sink is then fastened underneath with fittings while the outer edge lies on top of the worktop. This method is suitable for all types of worktop materials except natural stone. The hole is made on site by a fitter.

Mounting - Under-mounted

- A hole with an edge is milled out in the worktop from below. The inset sink is then glued on from underneath. The thickness of the visible material above the sink varies depends on the thickness of material i.e. solid surface or acrylic stone.

Recommended optional accessories:

- 1x 4G4S0801 - Heat insulation pad (mm): 500 x 500 x 6
- WFC-3754000 - Ø 35mm (1 3/8") Tap Hole Cutter
- 618-020 - Strainer Waste Kit
- 618-021 - Rotary Valve for a 90mm Dia. Sink Waste
- 618-026 - Teak Chopping Board for Sink Bowl 340 x 400mm
- 618-024 - Wire Basket for Sink Bowl 340 x 400mm
- 618-022 - Sink / Worktop 500ml Soap Dispenser

Heat insulation pad - Technical details:

- 1x Heat insulation pad (mm): 500 x 500 x 6
- Can be cut to size as required
- Materials: Grey neoprene sponge rubber
- Flame resistant
- Temperature resistant acrylic adhesive
- Supplied separately with self-adhesive backing
- See PDF data sheet for more information

Warranty:

- 2 year manufacturer warranty

Formerly referred to as the ESi 11

Additional Information

Manufacturer	Granberg
For Cabinet Size (mm)	500
Heat Insulated	Yes - Supplied (Self Fit)
Bowl Depth (mm)	120
Sink Installation	Inset, Undermount