



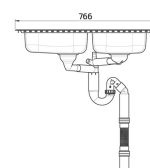
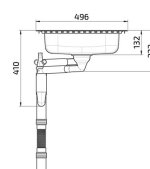
Independent 4 Life

£909.72 Inc. VAT

Granberg SS Insulated Inset/Under-mount Kitchen Sink ES30 - 76.6 cm, Inc. Flexible Waste Kit

Product Code: 618ES30-077

Product Images

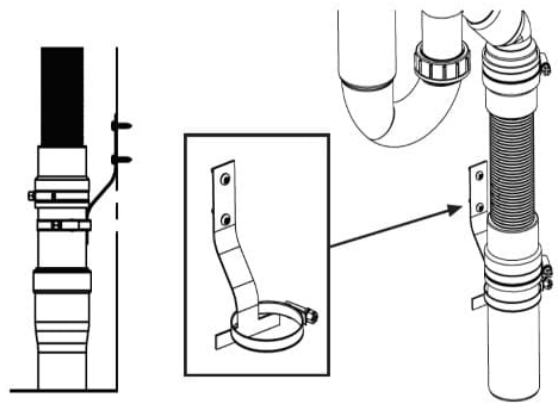
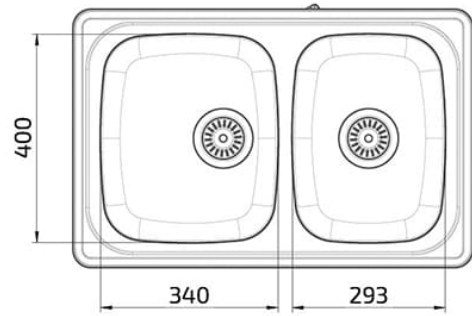


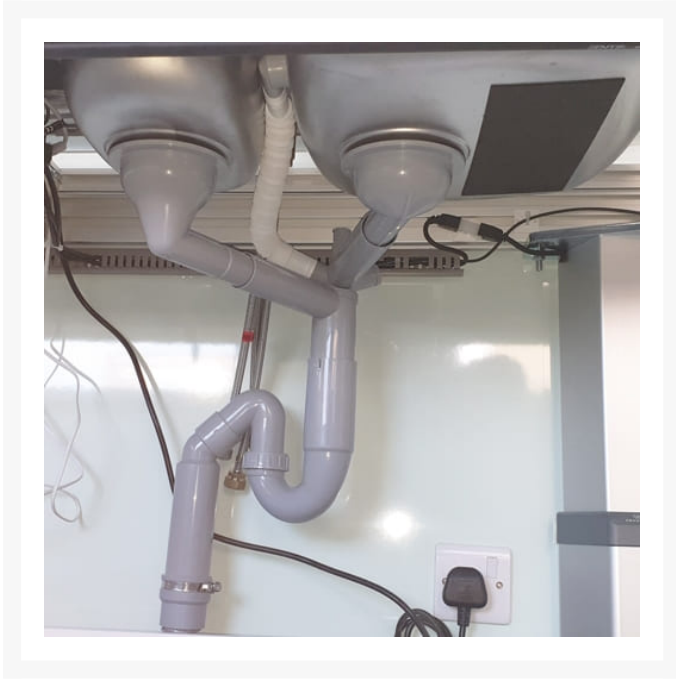


Inset



Undermounted





Additional Options

Optional accessories	WFC-3754000 - Wolfcraft Ø 35mm (1 3/8") Tap Hole Cutter	£17.55
	618-020 - Strainer Waste Kit	£53.10
	618-021 - Rotary Valve for a 90mm Dia. Sink Waste	£174.60
	618-025 - Teak Chopping Board for Sink Bowl 293x400mm	£163.80
	618-026 - Teak Chopping Board for Sink Bowl 340x400mm	£131.40
	618-023 - Cutlery Box for Rinsing Bowl 160x295mm	£54.00
	618-024 - Wire Basket for Sink Bowl 340x400mm	£53.10
	618-027 - Vegetable Rinsing Bowl 160x295mm	£48.60
	618-022 - Sink / Worktop 500ml Soap Dispenser	£73.80

Description

The Granberg ES 30 is an excellent space saving shallow two bowl kitchen sink, its high quality materials making it ideal for both domestic and commercial installations.

With twin bowls both with a shallow depth of just 120mm, this sink is ideal for inseting into a height-adjustable worktop lift for a compact kitchen adaptation where space is limited.

Key benefits:

www.independent4life.co.uk | info@independent4life.co.uk | Tel: 0800 500 3001 | VAT No: 942447711
EORI GB942447711000

- Provides more space below the sink for the user's legs and knees
- Insulated to protect the users legs and knees
- Both sink bowls for dishwashing with a depth of 120mm
- Central positioned wastes
- Shallow waste traps with 90mm dia. waste outlets in each sink bowl
- Ideal for installing in a height adjustable worktop system
- Smooth stainless steel construction
- Universal flange allows it to be inset or under-mounted
- Free space in-between the bowl corners for mounting a monobloc tap - requires tap hole cutter
- Turn able for left or right side use
- Includes manual basket wastes, overflows and water traps
- Waste kit includes inlet options for washing machine and dishwasher waste feeds
- Includes 200-650mm flexible waste (Product Code: 61801)

Technical details:

- Total width (mm): 766
- Total depth (mm): 496
- Main bowl dimensions (mm): 340 x 400
- Bowl depth (mm): 120
- Secondary bowl dimensions (mm): 293 x 400
- Bowl depth (mm): 120
- Depth of free space for tap (mm): 45 x 45
- Stainless steel thickness (mm): 0.8

Mounting - Inset

- A hole is cut in the worktop and the inset sink is put in position from above. The inset sink is then fastened underneath with fittings while the outer edge lies on top of the worktop. This method is suitable for all types of worktop materials except natural stone. The hole is made on site by a fitter.

Mounting - Under-mounted

- A hole with an edge is milled out in the worktop from below. The inset sink is then glued on from underneath. The thickness of the visible material above the sink varies depends on the thickness of material i.e. solid surface or acrylic stone.

Recommended optional accessories:

- 2x 4G4S0801 - Self Adhesive Heat Insulation Pad 500 x 500mm
- WFC-3754000 - Wolfcraft Ø 35mm (1 3/8") Tap Hole Cutter
- 618-020 - Strainer Waste Kit
- 618-021 - Rotary Valve for a 90mm Dia. Sink Waste
- 618-025 - Teak Chopping Board for Sink Bowl 293 x 400mm
- 618-026 - Teak Chopping Board for Sink Bowl 340 x 400mm
- 618-023 - Cutlery Box for Rinsing Bowl 160 x 295mm
- 618-024 - Wire Basket for Sink Bowl 340 x 400mm
- 618-027 - Vegetable Rinsing Bowl 160 x 295mm
- 618-022 - Sink / Worktop 500ml Soap Dispenser

Heat insulation pads - Technical details:

- 2x Heat insulation pads (mm): 500 x 500 x 6
- Can be cut to size as required
- Materials: Grey neoprene sponge rubber
- Flame resistant

- Temperature resistant acrylic adhesive
- Supplied separately with self-adhesive backing
- See PDF data sheet for more information

Warranty:

- 2 year manufacturer warranty

Formerly referred to as the ESi 30

Additional Information

Manufacturer	Granberg
For Cabinet Size (mm)	800
Heat Insulated	Yes - Supplied (Self Fit)
Bowl Depth (mm)	120
Sink Installation	Inset, Undermount