



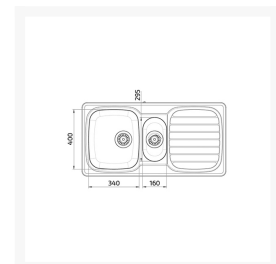
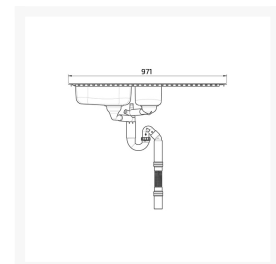
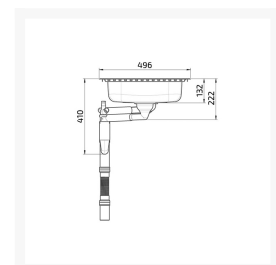
Independent 4 Life

£1,035.72 Inc. VAT

# Granberg SS Insulated Inset/Under-mount Kitchen Sink ES25 - 97.1 cm, Inc. Flexible Waste Kit

Product Code: 618ES25-097

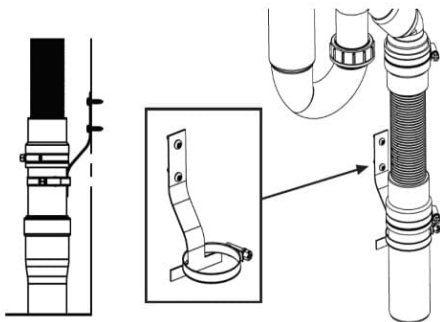
## Product Images





 **Inset**

 **Undermounted**



## Additional Options

---

<b>Optional accessories</b>	WFC-3754000 - Wolfcraft Ø 35mm (1 3/8") Tap Hole Cutter	£17.55
	618-020 - Strainer Waste Kit	£53.10
	618-021 - Rotary Valve for a 90mm Dia. Sink Waste	£174.60
	618-026 - Teak Chopping Board for Sink Bowl 340x400mm	£131.40
	618-024 - Wire Basket for Sink Bowl 340x400mm	£53.10
	618-022 - Sink / Worktop 500ml Soap Dispenser	£73.80

## Description

---

The Granberg ES 25 is an excellent shallow one and half bowl kitchen sink with draining board, its high quality materials making it ideal for both domestic and commercial installations.

With one and half bowls both with a shallow depth of just 120mm, this sink is ideal for inseting into a height adjustable worktop lift with space for a draining board.

### Key benefits:

- Provides more space below the sink for the user's legs and knees
- Insulated to protect the users legs and knees
- Main dishwashing with a depth of 120mm
- Half bowl with a depth of 120mm
- Central positioned wastes
- Shallow waste traps with 90mm dia. waste outlets for each sink bowl
- Ideal for installing in a height adjustable worktop system
- Smooth stainless steel construction
- Universal flange allows it to be inset or under-mounted
- Free space to either side of the half bowl for mounting a monobloc tap - requires tap hole cutter
- Turn able for left or right side use
- Includes manual basket wastes, overflows and water traps
- Waste kit includes inlet options for washing machine and dishwasher waste feeds
- Includes 200-650mm flexible waste kit (Product Code: 61801)

### Technical details:

- For cabinet size (mm): 600
- Outer dimensions (mm): 971 x 496
- Main bowl dimensions (mm): 340 x 400
- Bowl depth (mm): 120
- Half bowl dimensions (mm): 160 x 295
- Bowl depth (mm): 120
- Plate thickness: 0.8mm, smooth stainless steel
- Depth of free space for tap (mm): 160 x 60
- Mounting: Inset or under-mounted

- INSET - Dimensions of cut-out hole (mm): 945 x 474
- Reversible, for right or left
- Incl. basket valve and water trap with flexible drain hose

#### **Mounting - Inset**

- A hole is cut in the worktop and the inset sink is put in position from above. The inset sink is then fastened underneath with fittings while the outer edge lies on top of the worktop. This method is suitable for all types of worktop materials except natural stone. The hole is made on site by a fitter.

#### **Mounting - Under-mounted**

- A hole with an edge is milled out in the worktop from below. The inset sink is then glued on from underneath. The thickness of the visible material above the sink varies depends on the thickness of material i.e. solid surface or acrylic stone.

#### **Recommended optional accessories:**

- 1x 4G4S0801 - Heat insulation pad (mm): 500 x 500 x 6
- WFC-3754000 - Ø 35mm (1 3/8") Tap Hole Cutter
- 618-020 - Strainer Waste Kit
- 618-021 - Rotary Valve for a 90mm Dia. Sink Waste
- 618-026 - Teak Chopping Board for Sink Bowl 340 x 400mm
- 618-024 - Wire Basket for Sink Bowl 340 x 400mm
- 618-022 - Sink / Worktop 500ml Soap Dispenser

#### **Heat insulation pad - Technical details:**

- 1x Heat insulation pad (mm): 500 x 500 x 6
- Can be cut to size as required
- Materials: Grey neoprene sponge rubber
- Flame resistant
- Temperature resistant acrylic adhesive
- Supplied separately with self-adhesive backing
- See PDF data sheet for more information

#### **Warranty:**

- 2 year manufacturer warranty

**Formerly referred to as the ESi 25**

## **Additional Information**

Manufacturer	Granberg
For Cabinet Size (mm)	600
Heat Insulated	Yes
Bowl Depth (mm)	120
Sink Installation	Inset, Undermount