



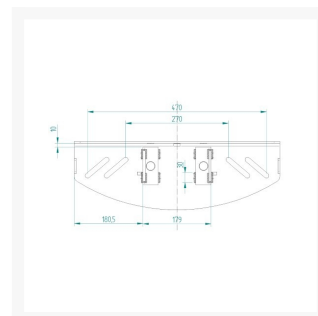
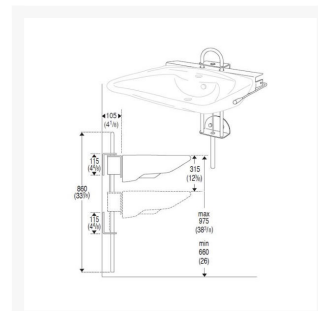
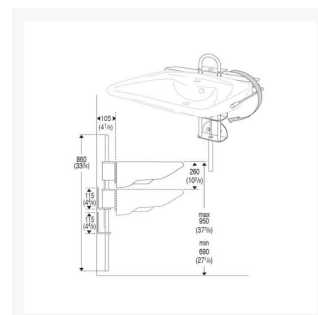
Independent 4 Life

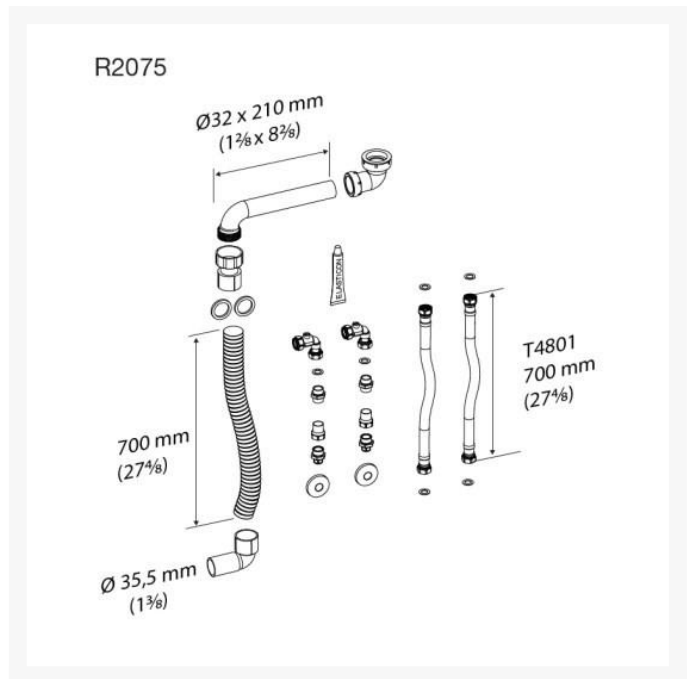
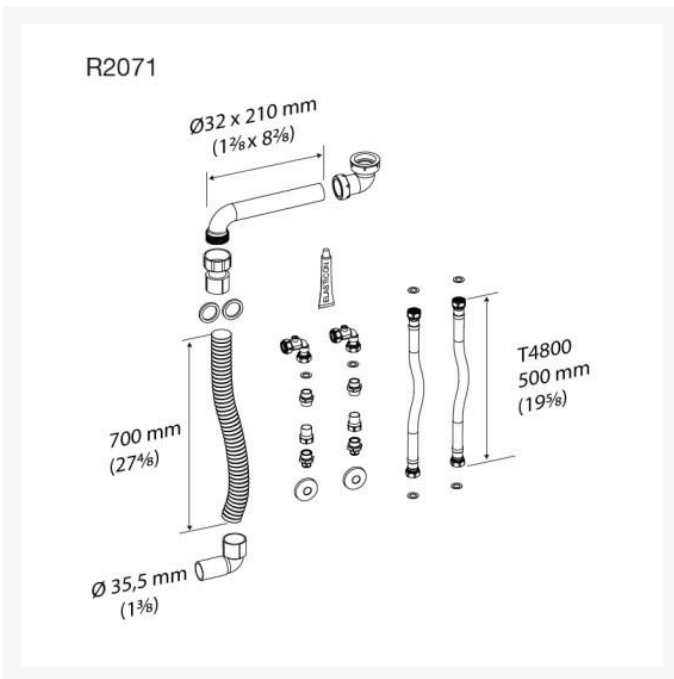
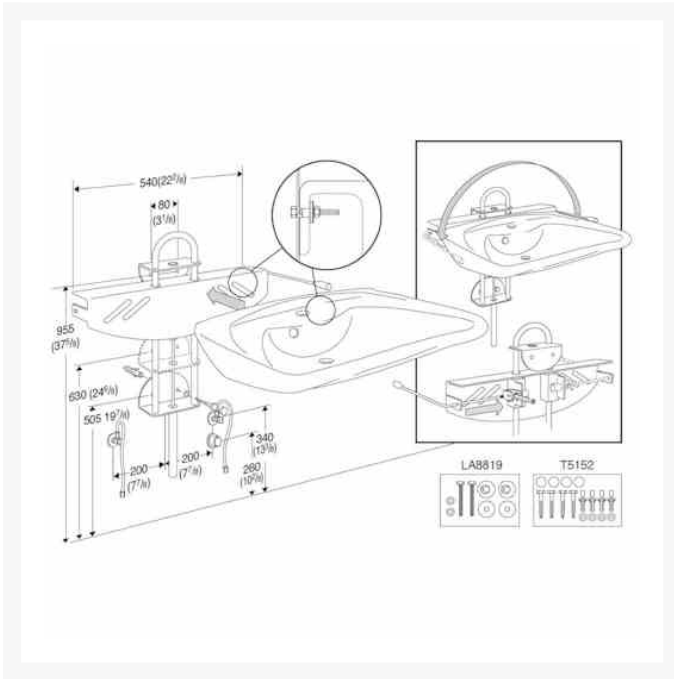
# Pressalit VALUE Wash Basin Bracket, Manually Height ADJ, Gas Lever

£1,194.00 Inc. VAT

Product Code: R1210000

## Product Images





## Additional Options

<b>Product Code / Optional Pressalit feed and waste kit</b>	R2071 / 500mm Flexible Feeds & 700mm Flexible Waste System	£219.95
	R2075 / 700mm Flexible Feeds & 700mm Flexible Waste System	£219.95

# Description

---

Pressalit VALUE height adjustable washbasin bracket, for mounting the MATRIX Small and Curve/Curve II wash basins.

Manually operated with lever control, the integrated gas cylinder assists the user in raising and lowering the washbasin to the required height.

The bracket allows for 315mm of continuous height adjustment.

## Key benefits:

- Height adjustable washbasin lift
- Manual operation with gas-assisted lever control
- For standing or seated users
- Adapts to progressive needs of individuals
- Can be height adjusted 315mm from 660 to 975mm
- Manual operation with gas-assisted lever control
- Lever control arm can be installed on the left or right hand side
- Ideal for multi-user environments such as care homes
- Good access to working mechanism
- Note: Assistance is required to push the rear of the basin on the downward stroke
- Clean white finish
- For mounting the MATRIX Small and Curve/Curve II wash basins

## Technical details:

- Height adjustment range (mm): 320
- Total width of bracket (mm): 540
- Total height of bracket (mm): 860
- Height of basin fixing plate (mm): 180
- Protrusion of bracket from the wall (excluding lever arm) (mm): 105
- Protrusion of lever arm from the wall (mm): 270
- Flexible wash basin mounting c/c range (mm): 270 to 470
- Suitable for wash basins that weigh (kg)16-22
- Maximum load (kg): 80
- Bracket weight (kg): 12.42
- Includes fixing bolts for wash basin
- Includes fixings for brick wall. The plugs not supplied, the installer should select according to the wall type
- Colour: White

## Materials:

- Basic material: Steel
- Surface material: Rilsan coated

## Declaration of conformity:

- CE UK MDR-MASK This product is in compliance with all relevant requirements of:
  - - Regulation (EU) 2017/745 on medical devices
  - - Council Directive 2006/42/EC on machinery
- For the UK:
  - - Medical Device Regulation (MDR) 2002 on medical devices

- - Supply of Machinery (Safety) Regulations 2008

**Optional Pressalit WRAS approved waste kit:**

- 500mm Flexible Feeds and 700mm Flexible Waste System (Product Code: R2071)
- 700mm Flexible Feeds and 700mm Flexible Waste System (Product Code: R2075)

**Warranty:**

- 5 year manufacturer warranty

## Additional Information

---

Manufacturer	Pressalit
Bracket Range	Pressalit VALUE
Bracket Operation	Gas Assisted
Bracket Adjustment	Manual Lever
Height Adjustment (mm)	315
For Wash Basin Range	MATRIX Curve, MATRIX Curve II, MATRIX Small
Bracket Mounting	Wall
Safety Stop	No