



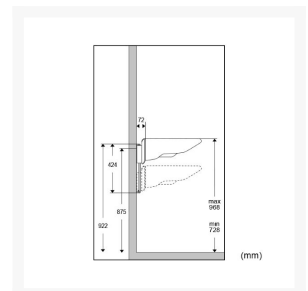
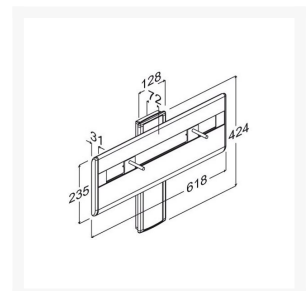
Independent 4 Life

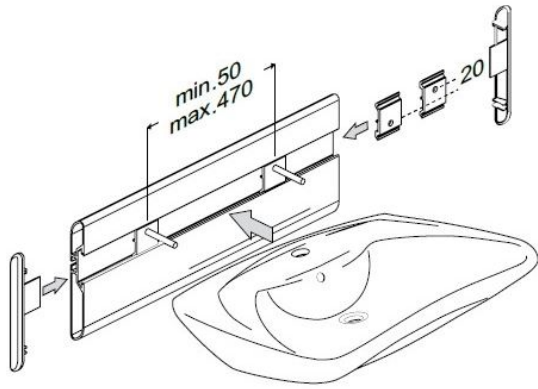
Pressalit PLUS Wash Basin Bracket, Lever Control, Manually Height ADJ

£525.60 Inc. VAT

Product Code: R4550112

Product Images

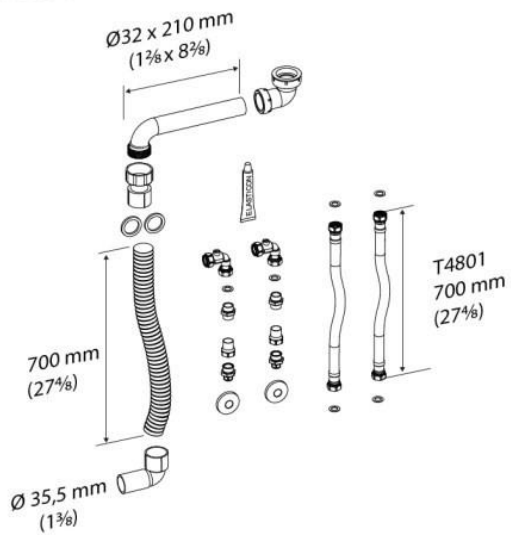




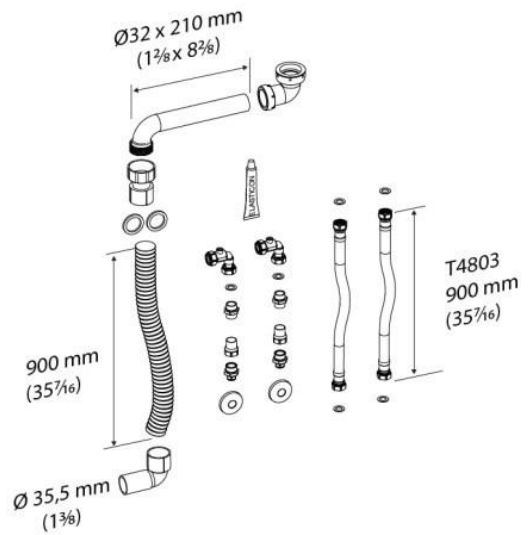
Bolt distance: Min. 50 – max. 470 mm.



R2075



R2077



Additional Options

Product Code / Optional Pressalit feed and waste kit

R2075 / 700mm Flexible Feeds & 700mm Flexible Waste System

£219.95

R2077 / 900mm Flexible Feeds & 900mm Flexible Waste System

£238.50

Description

Pressalit PLUS height adjustable wash basin bracket mounted on a vertical wall track with anthracite grey cover plate, for mounting the Pressalit Matrix Curve, Matrix Curve II and Matrix Small wash basins.

The bracket is operated via a manual lever, making it suitable for occasional height adjustments.

With the bracket mounted at the recommended height, the wash basin can be adjusted by 240mm from 728mm to 968mm above floor level.

Key benefits:

- Adapts to the progressive needs of individuals
- Suitable for occasional height adjustments up to 240mm
- Manually operated height adjustment, with lever control
- Note: Height adjustment requires 2 people and involves supporting the weight of the basin and part of the bracket
- Vertical Plus wall track with anthracite grey cover plate
- The wash basin bracket suits all types of bolt-mounted wash basin
- The rounded, sleek design greatly facilitates cleaning
- Includes fixing kit for basin (excludes fixing kit for wall)

Technical details:

- Height adjustment range (mm): 240
- Width of bracket (mm): 618
- Height of bracket (mm): 235
- Total projection from the wall, excluding basin (mm): 72
- Width of wall track (mm): 128
- Height of wall track (mm): 424
- Weight (kg): 5.65
- Maximum load (kg): 135
- Suitable for wash basins that weigh (kg): 16-22
- Colour: Anthracite grey cover

Materials:

- Washbasin bracket primarily made of 10-micrometre anodized aluminium
- Bracket ends are capped with ABS polymer

Declaration of conformity:

- CE UK MDR This product is in compliance with all relevant requirements of:
- - Regulation (EU) 2017/745 on medical devices
- For the UK: - Medical Device Regulation (MDR) 2002 on medical devices

Pressalit recommended optional; WRAS waste kit:

- 700mm Flexible Feeds and 700mm Flexible Waste System (Product Code: R2075)
- 900mm Flexible Feeds and 900mm Flexible Waste System (Product Code: R2077)

Warranty:

- 5 year manufacturer warranty

Former manufacturer code:

- The Pressalit PLUS range has superseded several former Pressalit products
- This item has replaced: R4140
- Please check for any changes to the product specification

Additional Information

Manufacturer	Pressalit
Bracket Range	Pressalit PLUS
Bracket Operation	Manual
Bracket Adjustment	Manual Lever
Height Adjustment (mm)	240
For Wash Basin Range	MATRIX Curve, MATRIX Curve II, MATRIX Small
Bracket Mounting	Wall
Safety Stop	No