



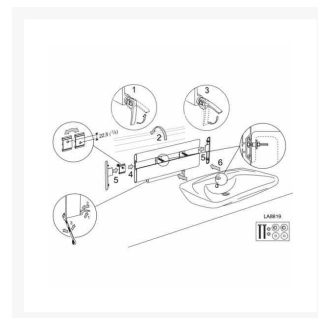
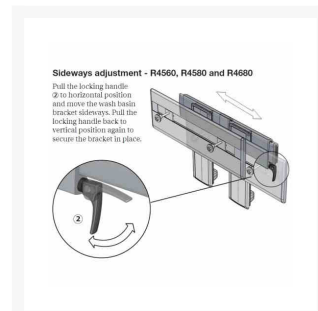
Independent 4 Life

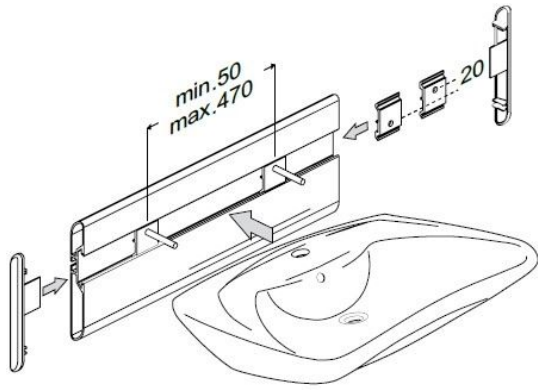
# Pressalit PLUS Wash Basin Bracket, Manually Sideways ADJ

£525.60 Inc. VAT

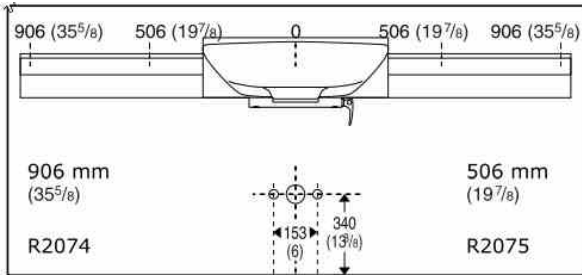
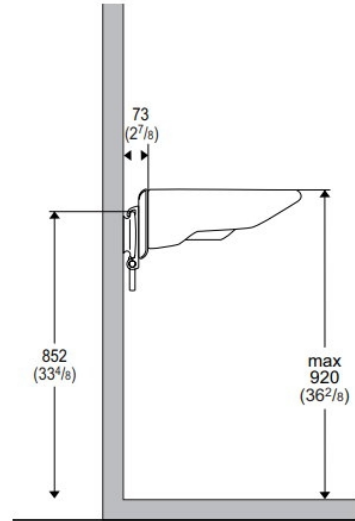
Product Code: R4560

## Product Images

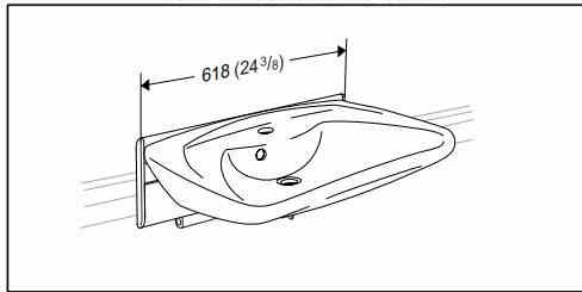


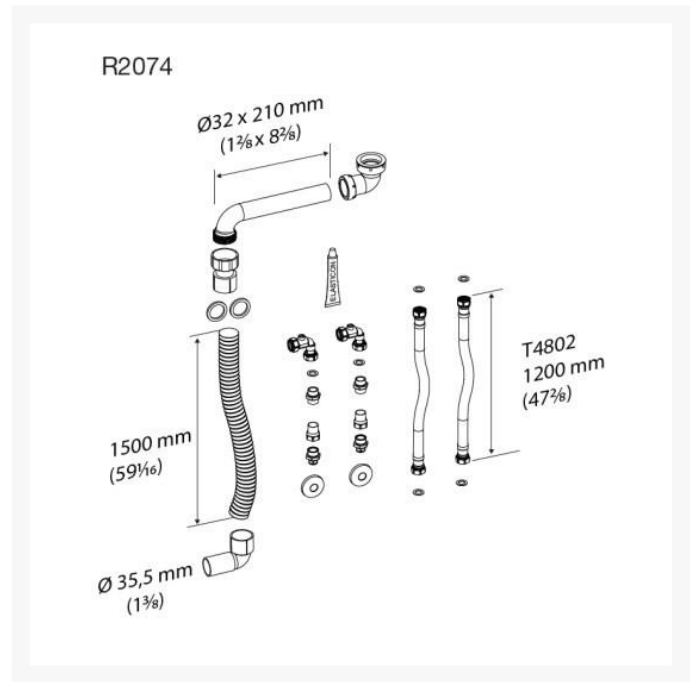
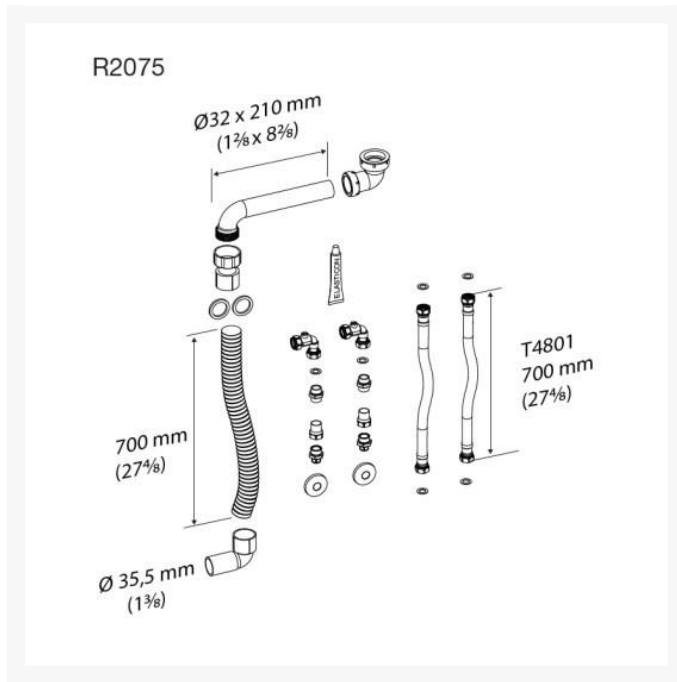


Bolt distance: Min. 50 – max. 470 mm.



Flexible Feed and Waste Kits





## Additional Options

<b>Product Code / Optional Pressalit feed and waste kit</b>	R2075 / 700mm Flexible Feeds & 700mm Flexible Waste System	£219.95
	R2074 / 1200mm Flexible Feeds & 1500mm Flexible Waste System	£252.25

## Description

Pressalit PLUS washbasin bracket for mounting the Pressalit Matrix Curve, Matrix Curve II and Matrix Small wash basins for lateral movement.

This space efficient bracket is designed to bring hand washing basin within reach of the toilet.

Available separately, this product is designed to be mounted on a Pressalit PLUS horizontal wall track in range of lengths from 600 to 3900mm to facilitate sideways movement (Product Code: R98xx112) and Pressalit track stop end(s) (Product Code: RT761).

With the horizontal wall track mounted at the recommended height, the top of the washbasin rim should be a maximum of 920mm above floor level.

### Key benefits:

- Space efficient
- PLUS wash basin bracket, manual sideways adjustable
- For mounting on a Pressalit PLUS horizontal wall track (not included), for manual sideways movement
- Manually operated wash basin bracket with lever lock
- The wash basin bracket suits all types of bolt-mounted wash basins

- Its rounded, sleek design greatly facilitates cleaning
- Manual lever lock - located to right hand side, behind the horizontal basin mounting
- Includes fixing kit for basin

**Technical details:**

- Width of bracket (mm): 618
- Height of bracket (mm): 234
- Adjustable sliding wash basin mounts c/c (mm): 50-470
- Total projection from the wall, when track mounted (excluding basin) (mm): 73
- Weight (kg): 5.35
- Maximum user weight (kg): 135
- Maximum load (kg): 135
- Suitable for wash basins that weigh (kg): 16-22
- Colour: Pale grey

**Materials:**

- Washbasin bracket primarily made of 10-micrometre anodized aluminium
- Bracket ends are capped with ABS polymer

**Declaration of conformity:**

- CE UK MDR This product is in compliance with all relevant requirements of:
- - Regulation (EU) 2017/745 on medical devices
- For the UK: - Medical Device Regulation (MDR) 2002 on medical devices

**Optional Pressalit WRAS approved waste kits:**

- 700mm Flexible Feeds and 700mm Flexible Waste System (Product Code: R2075)
- 1200mm Flexible Feeds and 1500mm Flexible Waste System (Product Code: R2074)

**Warranty:**

- 5 year manufacturer warranty

**Please note:**

- Items in the PLUS range cannot be mounted onto older Pressalit wall tracks, and vice versa

## Additional Information

---

Manufacturer	Pressalit
Bracket Range	Pressalit PLUS
Bracket Operation	Manual
Bracket Adjustment	Manual Lever
Height Adjustment (mm)	0 (Fixed)
For Wash Basin Range	MATRIX Curve, MATRIX Curve II, MATRIX Small
Bracket Mounting	Horizontal PLUS Track
Safety Stop	No