



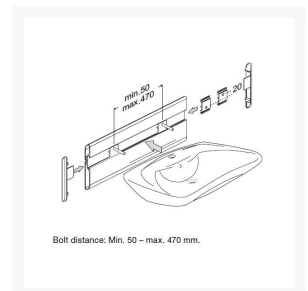
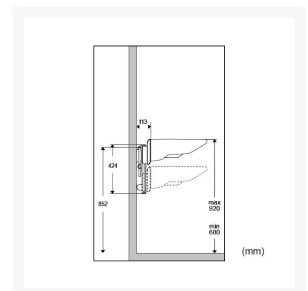
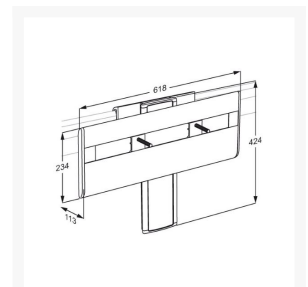
Independent 4 Life

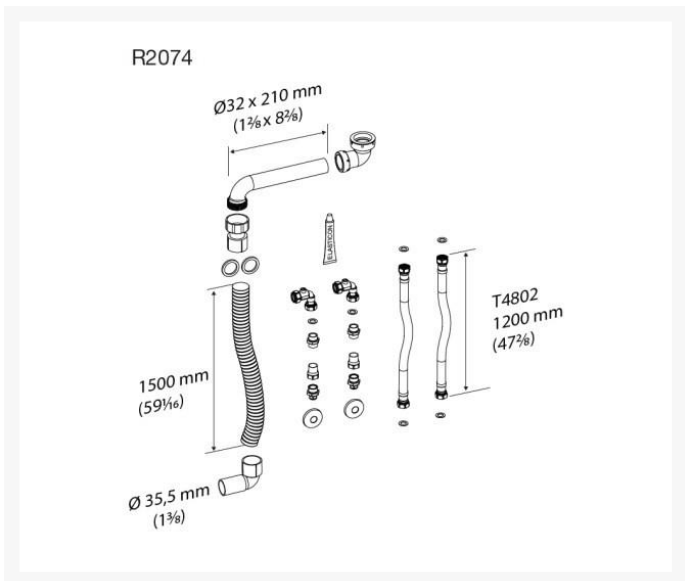
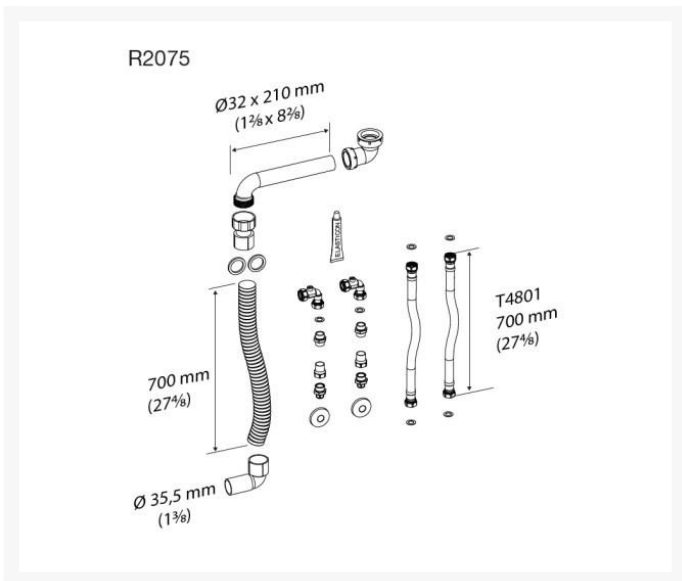
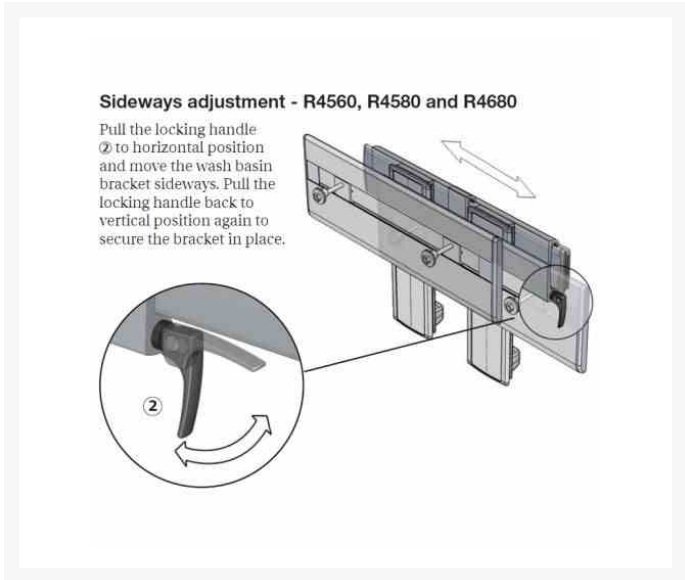
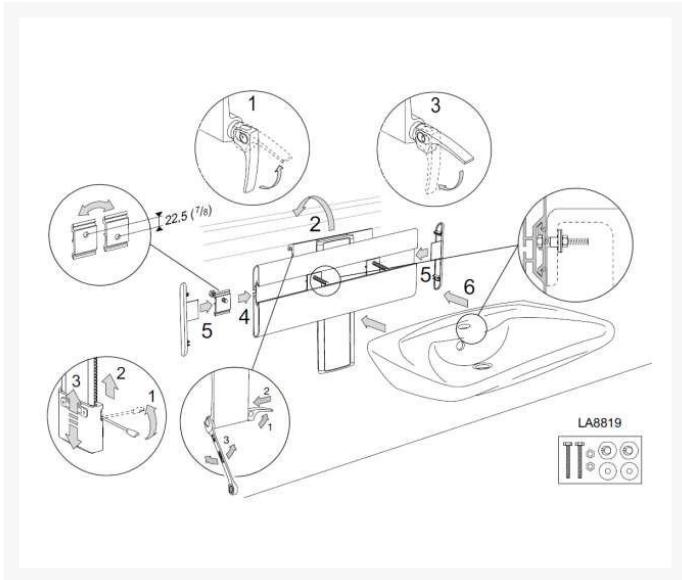
Pressalit PLUS Basin Bracket, Lever Control, Manually Height & Sideways ADJ

£737.70 Inc. VAT

Product Code: R4580112

Product Images





Product Code / Optional Pressalit feed and waste kit	R2075 / 700mm Flexible Feeds & 700mm Flexible Waste System	£219.95
	R2074 / 1200mm Flexible Feeds & 1500mm Flexible Waste System	£252.25

Description

Pressalit PLUS height and sideways adjustable washbasin bracket, the PLUS vertical track is finished with an anthracite grey cover plate. For mounting the Pressalit Matrix Curve, Matrix Curve II and Matrix Small wash basins.

The bracket is operated via a manual lever, making it suitable for occasional height adjustments.

Available separately, this product is designed to be mounted on a Pressalit PLUS horizontal wall track in range of lengths from 600 to 3900mm to facilitate sideways movement (Product Code: R98xx112) and Pressalit Track Stop End(s) (Product Code: RT761).

With the horizontal wall track mounted at the recommended height, the washbasin can be adjusted by 240mm from 680mm to 920mm above floor level.

Key benefits:

- Adapts to the progressive needs of individuals
- Suitable for occasional height adjustments up to 240mm
- For mounting on a Pressalit PLUS horizontal wall track (not included)
- Horizontal adjustability with manual sideways movement
- Manually operated height adjustable washbasin bracket with lever control
- Note: Height adjustment requires 2 people and involves supporting the weight of the basin and part of the bracket
- Vertical Plus wall track with anthracite grey cover plate
- The wash basin bracket suits all types of bolt-mounted wash basin
- The rounded, sleek design greatly facilitates cleaning
- Eliminates need for adaptation work in the future
- Suitable for wash basins that weigh 16-22kg
- Includes fixing kit for basin

Technical details:

- Height adjustment range (mm): 240
- Width of bracket (mm): 618
- Height of bracket (mm): 234
- Height of wall track (mm): 424
- Total projection from the wall, including wall track (excluding basin) (mm): 113
- Weight (kg): 8.9
- Maximum load (kg): 135
- Suitable for wash basins that weigh (kg): 16-22
- Colour: Anthracite grey

Materials:

- Washbasin bracket primarily made of 10-micrometre anodized aluminium
- Bracket ends are capped with ABS polymer

Declaration of conformity:

- CE UK MDR This product is in compliance with all relevant requirements of:
 - - Regulation (EU) 2017/745 on medical devices
 - For the UK: - Medical Device Regulation (MDR) 2002 on medical devices

Pressalit recommended optional; WRAS waste kit:

- 700mm Flexible Feeds and 700mm Flexible Waste System (Product Code: R2075)
- 1500mm Flexible Feeds and 1200mm Flexible Waste System (Product Code: R2074)

Warranty:

- 5 year manufacturer warranty

Former manufacturer code:

- The Pressalit PLUS range has superseded several former Pressalit products
- This item has replaced: R4540
- Please check for any changes to the product specification
- Please also note that items in the PLUS range cannot be mounted onto older Pressalit wall tracks, and vice versa

Additional Information

Manufacturer	Pressalit
Bracket Range	Pressalit PLUS
Bracket Operation	Manual
Bracket Adjustment	Manual Lever
Height Adjustment (mm)	240
For Wash Basin Range	MATRIX Curve, MATRIX Curve II, MATRIX Small
Bracket Mounting	Horizontal PLUS Track
Safety Stop	No