



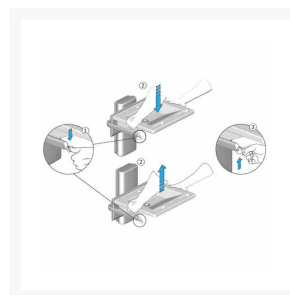
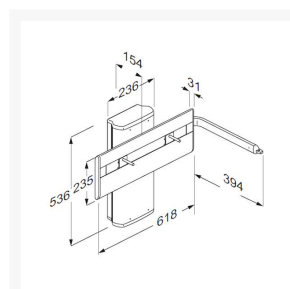
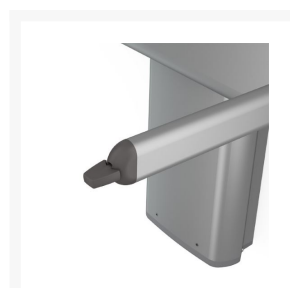
Independent 4 Life

# Pressalit PLUS Basin Bracket, Lever CONT, Manually Height ADJ, Gas Cylinder

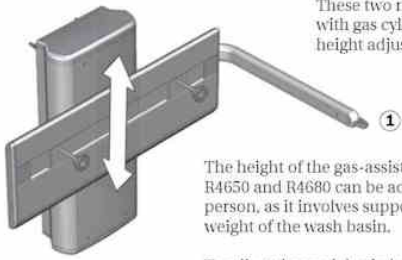
£1,854.00 Inc. VAT

Product Code: R4650

## Product Images



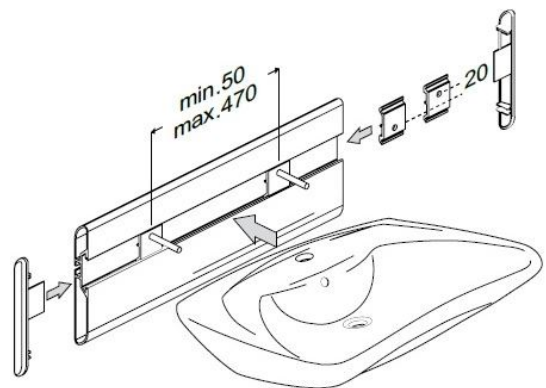
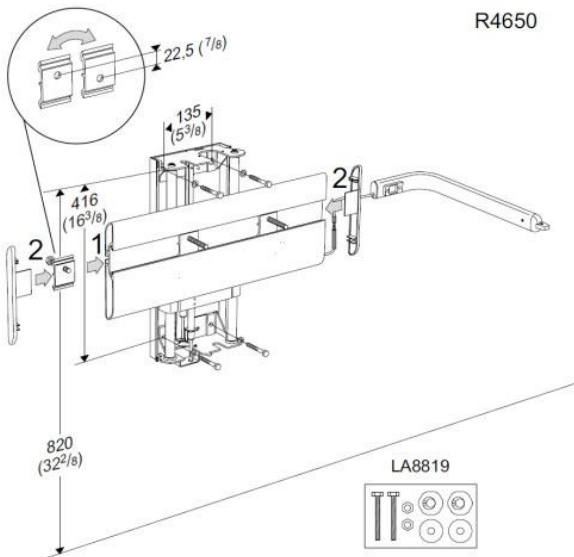
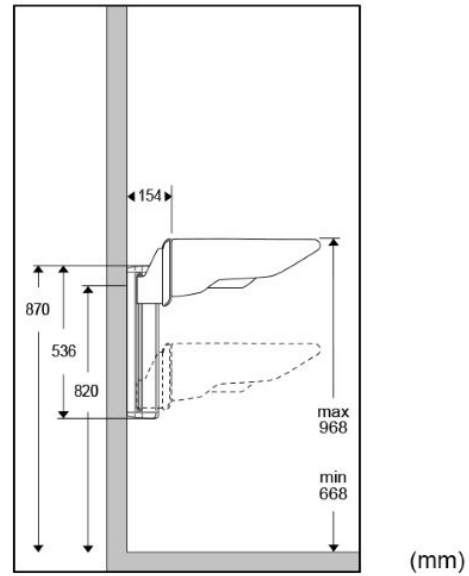
### Height adjustment - R4650 and R4680



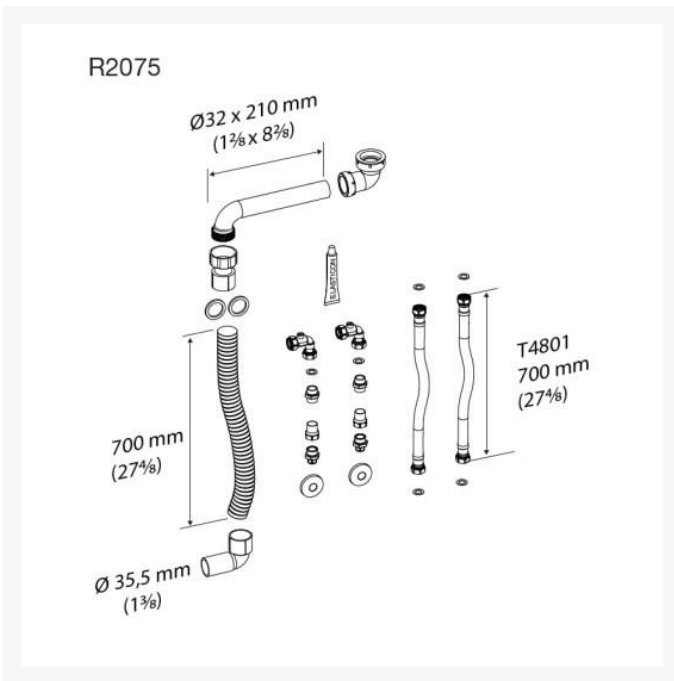
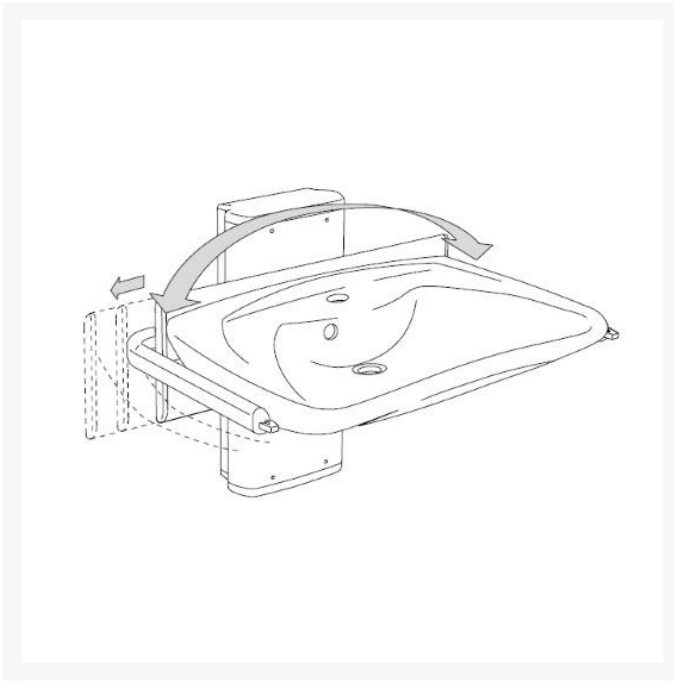
These two models are equipped with gas cylinders to ease the height adjustment.

The height of the gas-assisted wash basin bracket R4650 and R4680 can be adjusted by a standing person, as it involves supporting part of the weight of the wash basin.

To adjust the wash basin bracket, push the button ① downwards and lift the basin upwards or push the basin downwards. Release the button to lock the basin in position.



Bolt distance: Min. 50 – max. 470 mm.



## Additional Options

<b>Product Code / Optional Pressalit feed and waste kit</b>	R2075 / 700mm Flexible Feeds & 700mm Flexible Waste System	£219.95
	R2077 / 900mm Flexible Feeds & 900mm Flexible Waste System	£238.50

## Description

---

Pressalit PLUS wash basin bracket with lever control, manually height adjustable with gas cylinder for mounting the Pressalit Matrix Curve, Matrix Curve II and Matrix Small wash basins.

The height of the wash basin can easily be adjusted by means of the lever control. Assistance is required to push the rear of the basin on the downward stroke.

With the bracket mounted at the recommended height, the washbasin can be adjusted by 300mm from 668mm to 968mm above floor level.

### Key benefits:

- 300mm Stepless manual adjustment
- Adapts to progressive needs of individuals
- The height of the wash basin is easily adjusted by means of the lever control
- The lever control is placed by the front of the wash basin
- The lever control can be placed on the left or right-hand side of the wash basin
- Suitable for regular height adjustments on a daily basis
- Note: Assistance is required to push the rear of the basin on the downward stroke
- The arm that holds the lever control can function as a towel rail
- The wash basin bracket suits all types of bolt-mounted wash basins
- Rounded, sleek design greatly facilitates cleaning
- Eliminates need for adaptation work in the future
- Includes fixing kit for basin (excludes wall fixing kit)

### Technical details:

- Height adjustment range (mm): 300
- Width of basin mounting bracket (mm): 618
- Width of wall track (mm): 236
- Height of bracket (mm): 536
- Total projection from the wall (excluding basin) (mm): 154
- Length of lever control arm (mm): 394
- Weight (kg): 11.70
- Maximum load (kg): 135
- Gas cylinder supplied for washbasins weighing (kg): 16-22
- By special order for wash basins weighing (kg): 8-12 or 12-16 - please contact us with your requirements

### Materials:

- Washbasin bracket: Primarily made of 10-micrometre anodized aluminium
- Bracket ends: Capped with ABS polymer
- Lever control: ABS polymer switch at the end of an anodized aluminium arm

### Declaration of conformity:

- CE UK MDR-MASK This product is in compliance with all relevant requirements of:
  - - Regulation (EU) 2017/745 on medical devices
  - - Council Directive 2006/42/EC on machinery
- For the UK:
  - - Medical Device Regulation (MDR) 2002 on medical devices
  - - Supply of Machinery (Safety) Regulations 2008

### Optional Pressalit WRAS approved waste kits:

- 700mm Flexible Feeds and 700mm Flexible Waste System (Product Code: R2075)
- 900mm Flexible Feeds and 900mm Flexible Waste System (Product Code: R2077)

### Warranty:

- 5 year manufacturer warranty

### Former manufacturer code:

- The Pressali PLUS range has superseded several former Pressalit products
- This item has replaced: R4360
- Please check for any changes to the product specification

## Additional Information

---

Manufacturer	Pressalit
Bracket Range	Pressalit PLUS
Bracket Operation	Gas Assisted
Bracket Adjustment	Manual Lever
Height Adjustment (mm)	300
For Wash Basin Range	MATRIX Curve, MATRIX Curve II, MATRIX Small
Bracket Mounting	Wall
Safety Stop	No