



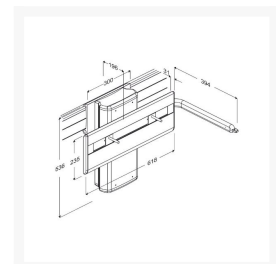
Independent 4 Life

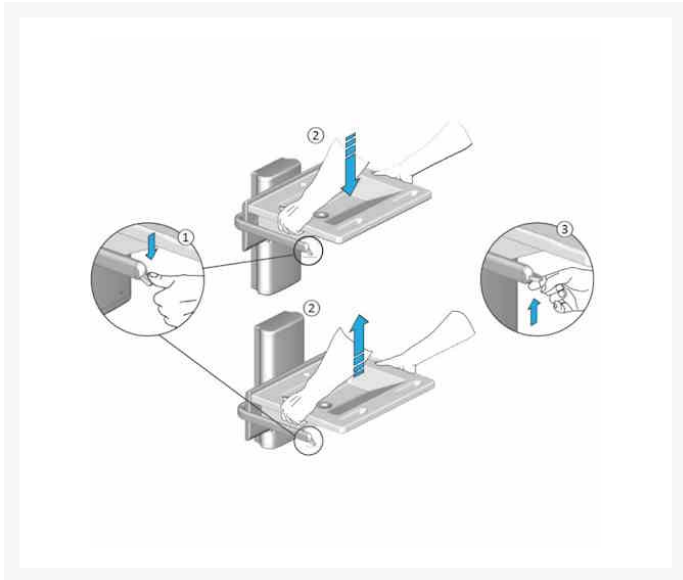
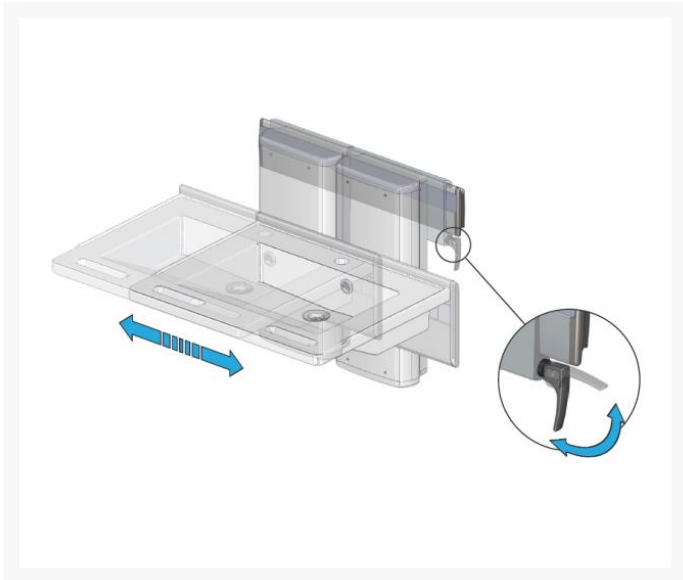
# Pressalit PLUS Basin Bracket, Lever CONT, Manually Height & Sideways ADJ, Gas Cylinder

£2,107.80 Inc. VAT

Product Code: R4680

## Product Images





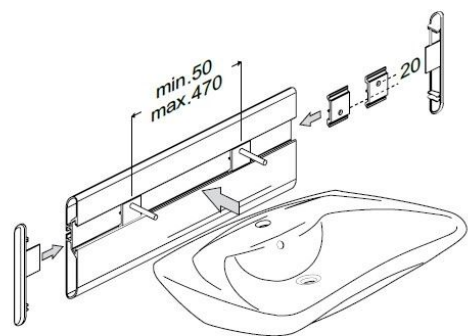
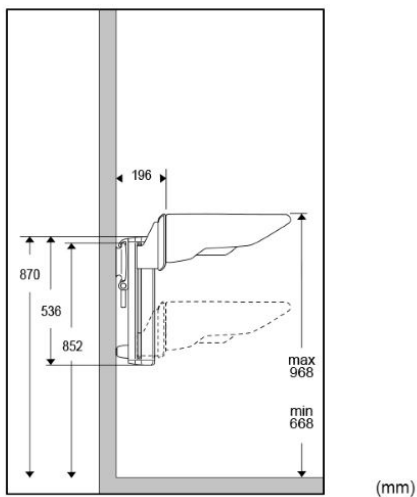
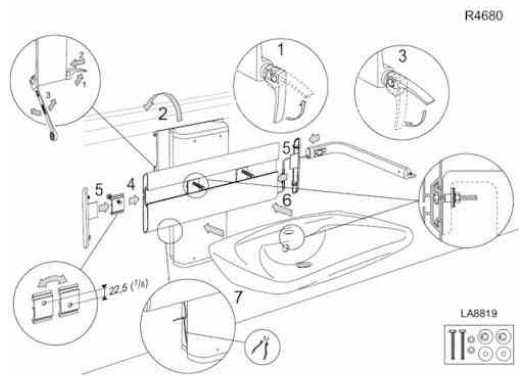
**Height adjustment - R4650 and R4680**



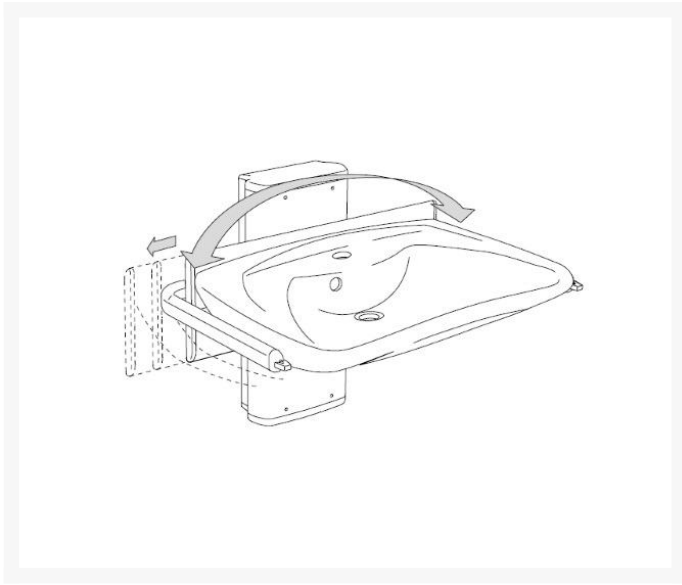
These two models are equipped with gas cylinders to ease the height adjustment.

The height of the gas-assisted wash basin bracket R4650 and R4680 can be adjusted by a standing person, as it involves supporting part of the weight of the wash basin.

To adjust the wash basin bracket, push the button ① downwards and lift the basin upwards or push the basin downwards. Release the button to lock the basin in position.



Bolt distance: Min. 50 – max. 470 mm.



## Additional Options

<b>Product Code / Optional Pressalit feed and waste kit</b>	R2075 / 700mm Flexible Feeds & 700mm Flexible Waste System	£219.95
	R2074 / 1200mm Flexible Feeds & 1500mm Flexible Waste System	£252.25

## Description

Pressalit PLUS washbasin bracket with lever control, manually height and sideways adjustable with gas cylinder. For mounting the Pressalit Matrix Curve, Matrix Curve II and Matrix Small wash basins.

The height of the wash basin can easily be adjusted by means of the lever control. Assistance is required to push the rear of the basin on the downward stroke.

Available separately, this product is designed to be mounted on a Pressalit PLUS horizontal wall track in range of lengths from 600 to 3900mm to facilitate sideways movement (Product Code: R98xx112) and Pressalit Track Stop End(s) (Product Code: RT761).

With the PLUS wall track mounted at the recommended height, the washbasin can be adjusted by 300mm from 668mm to 968mm above floor level.

### Key benefits:

- 300mm Stepless manual adjustment
- For mounting on the Pressalit PLUS horizontal wall track (not included), for manual sideways movement
- Manual lever lock - located to right hand side, behind the horizontal basin mounting
- Adapts to progressive needs of individuals
- The height of the wash basin is easily adjusted by means of the lever control
- The lever control is placed by the front of the wash basin

- The lever control can be placed on the left or right-hand side of the wash basin
- Suitable for regular height adjustments on a daily basis
- Note: Assistance is required to push the rear of the basin on the downward stroke
- The arm that holds the lever control can function as a towel rail
- The wash basin bracket suits all types of bolt-mounted wash basins
- Rounded, sleek design greatly facilitates cleaning
- Eliminates need for adaptation work in the future
- For mounting the Pressalit Matrix Small, Curve/Curve II wash basins
- Includes fixing kit for basin

#### **Technical details:**

- Height adjustment range (mm): 300
- Width of basin mounting bracket (mm): 618
- Width of wall track (mm): 236
- Height of bracket (mm): 536
- Total projection from the wall when mounted on the horizontal PLUS track (excluding basin) (mm): 196
- Length of lever control arm (mm): 394
- Weight (kg): 13.50
- Maximum load (kg): 135
- Gas cylinder supplied for washbasins weighing (kg): 16-22
- By special order for wash basins weighing (kg): 8-12 or 12-16 - please contact us with your requirements

#### **Materials:**

- Washbasin bracket: Primarily made of 10-micrometre anodized aluminium
- Bracket ends: Capped with ABS polymer
- Lever control: ABS polymer switch at the end of an anodized aluminium arm

#### **Declaration of conformity:**

- CE UK MDR-MASK This product is in compliance with all relevant requirements of:
  - - Regulation (EU) 2017/745 on medical devices
  - - Council Directive 2006/42/EC on machinery
- For the UK:
  - - Medical Device Regulation (MDR) 2002 on medical devices
  - - Supply of Machinery (Safety) Regulations 2008

#### **Optional Pressalit WRAS approved waste kits:**

- 700mm Flexible Feeds and 700mm Flexible Waste System (Product Code: R2075)
- 1200mm Flexible Feeds and 1500mm Flexible Waste System (Product Code: R2074)

#### **Warranty:**

- 5 year manufacturer warranty

#### **Former manufacturer code:**

- The Pressalit PLUS range has superseded several former Pressalit products
- This item has replaced: R4760
- Please check for any changes to the product specification
- Please also note that items in the PLUS range cannot be mounted onto older Pressalit wall tracks, and vice versa

## Additional Information

---

Manufacturer	Pressalit
Bracket Range	Pressalit PLUS
Bracket Operation	Gas Assisted
Bracket Adjustment	Manual Lever
Height Adjustment (mm)	300
For Wash Basin Range	MATRIX Curve, MATRIX Curve II, MATRIX Small
Bracket Mounting	Horizontal PLUS Track
Safety Stop	No