



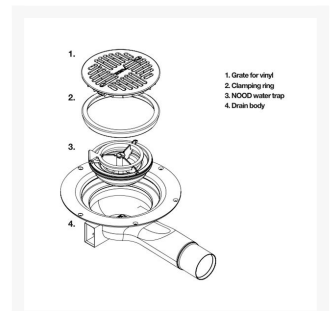
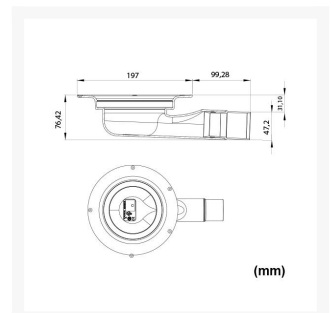
Independent 4 Life

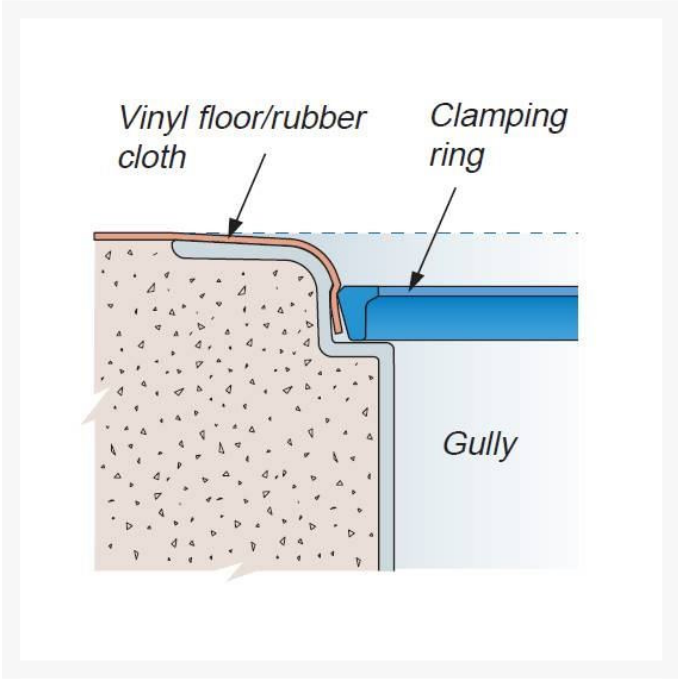
Purus Minimax 50, Horizontal Outlet - OPT Security Fixings

£55.09 Inc. VAT

Product Code: 7113764UK

Product Images





Additional Options

| | | |
|--|---|-------|
| Product Code / Optional security fixings | 7138417 / Purus fixings for plastic grate | £4.90 |
|--|---|-------|

Description

Purus single part trapped floor gully suitable for use with floor formers in both concrete and timber floor installations, with either vinyl flooring or tiled floor finishes.

The waste can also be installed in concrete/screed floors.

Key benefits:

- Strong - capable of supporting a sustained load of 470 kilos (75 Stone)
- NOOD sprung water trap, prevents foul air escaping. The weight of the water opens the trap
- The NOOD water trap is removable for easy cleaning
- Easy to clean
- 200mm overall diameter
- 130mm visible diameter
- Supplied with a circular plastic grate as standard
- Can be used with tiled flooring (see below for more information)
- Overall height of 76mm including 6mm fall
- Horizontal 50mm outlet with pre-fitted $1\frac{1}{2}$ " / (40mm) UK adapter solvent welded connector
- Flow rate 48 litres per minute, according to EN 1253
- Can be mounted in the Purus Plate 130 (Product Code: 7133681) that assists with building in falls for screed and timber floors, when not using a floor former

Compatibility:

- Vinyl flooring - The clamping ring retains the vinyl flooring, see PDF installation instructions
- Tiled flooring - The clamping ring retains the Fabric or Butyl Drain Gasket that should be bonded in place as part of your tanking system, see PDF installation instructions
- Can be used with a shower waste pump that has an external flow switch, requires 15mm pipework from the waste outlet

Options:

- Security fixing screws to prevent the removal of the grate - select if required
- Can be upgraded to a stainless-steel grate - Purus circular grates available separately
- Suitable for tiled flooring with the addition of a Purus tile adapter or square stainless-steel grate - available separately

Additional Information

| | |
|---------------------------|---|
| Manufacturer | Purus |
| Configuration | Gravity or Pumped Waste |
| Compatible Tray or Former | AKW - Tuff Form, AKW - Tuff Form8, AKW / Contour - ShowerDec, Maxxus |
| Installation | Floor Formers, Concrete / Screed Floors, Timber Floors |
| Application | Floor Former, Screed/Timber Floors w/ Purus Plate 130, Has Lockable Grate |
| Waste Diameter (mm) | 200 |
| Waste Outlet / Depth (mm) | Horizontal |
| Flow Rate / l/min | 48 |
| Floor Finish | Tiled Flooring, Vinyl Sheet Flooring |
| Grate Material / Finish | Plastic / White |