



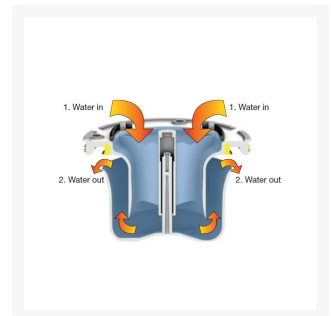
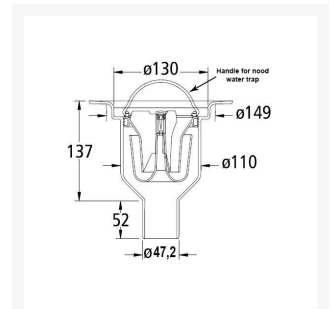
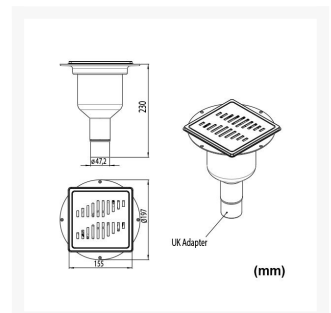
Independent 4 Life

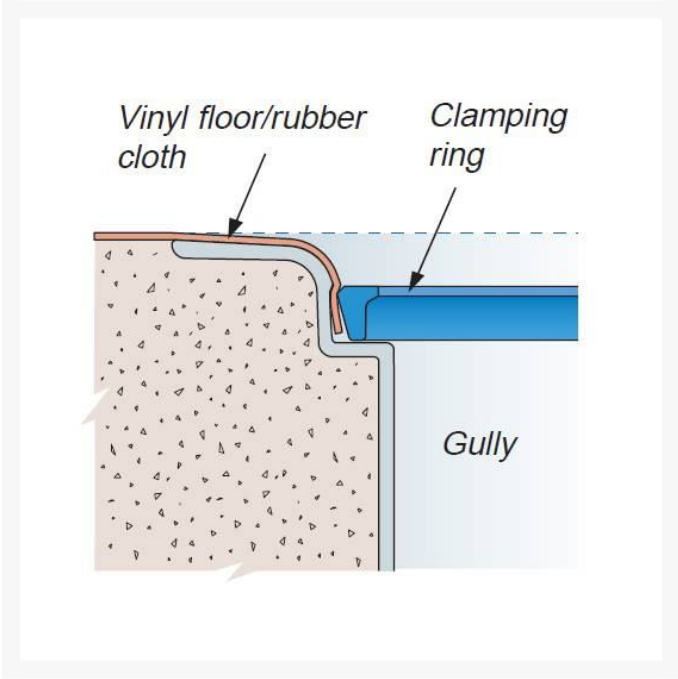
Purus Mini Brage 50, Vertical Waste Outlet - OPT Security Fixings

£69.35 Inc. VAT

Product Code: 7113539UK

Product Images





Additional Options

Product Code / Optional security fixings	7138417 / Purus fixings for plastic grate	£4.90
--	---	-------

Description

Purus single part trapped gravity floor gully suitable for use with floor formers for both concrete and timber floor installations, with either tiled or vinyl floor finishes.

Key benefits:

- Strong - capable of supporting a sustained load of 470 kilos (75 Stone)
- NOOD sprung water trap, prevents foul air escaping. The weight of the water opens the trap
- The NOOD water trap is removable for easy cleaning
- Easy to clean
- 200mm overall diameter
- 130mm visible diameter
- Supplied with a circular plastic grate as standard
- Can be used with tiled flooring when a tiling grate and drain gasket are fitted (see below for more information)
- Overall height of 189mm
- Vertical 50mm outlet with pre-fitted 1 $\frac{1}{2}$ " / (40mm) UK adapter solvent welded connector
- Flow rate 48 litres per minute
- Can be mounted in the Purus Plate 130 (Product Code: 7133681) that assists with building in falls for screed and timber floors, when not using a floor former

Compatibility:

- Vinyl flooring - The clamping ring retains the vinyl flooring, see PDF installation instructions
- Tiled flooring - The clamping ring retains the Fabric or Butyl Drain Gasket that should be bonded in place as part of your tanking system, see PDF installation instructions

Options:

- Security fixing screws to prevent the removal of the grate - select if required
- Can be upgraded to a stainless-steel grate - Purus circular grates available separately
- Suitable for tiled flooring with the addition of a Purus tile adapter or square stainless-steel grate - available separately

Additional Information

Manufacturer	Purus
Configuration	Gravity Waste
Compatible Tray or Former	AKW - Tuff Form, AKW - Tuff Form8, AKW / Contour - ShowerDec, Maxxus
Installation	Floor Formers, Concrete / Screed Floors, Timber Floors
Application	Floor Former, Screed/Timber Floors w/ Purus Plate 130, Has Lockable Grate
Waste Diameter (mm)	200
Waste Outlet / Depth (mm)	Vertical
Flow Rate / l/min	48
Floor Finish	Tiled Flooring, Vinyl Sheet Flooring
Grate Material / Finish	Plastic / White