



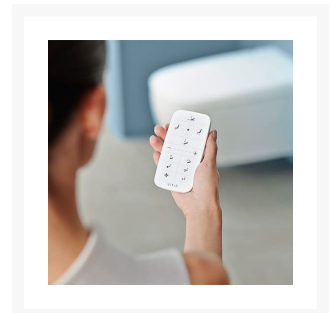
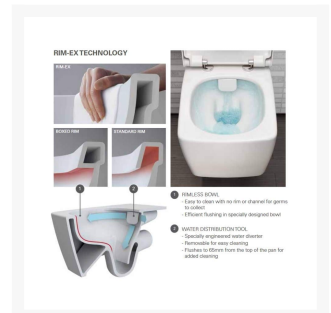
Independent 4 Life

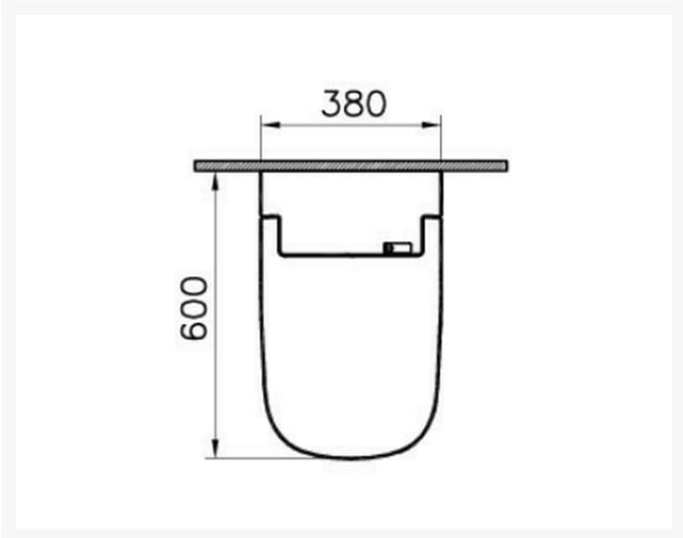
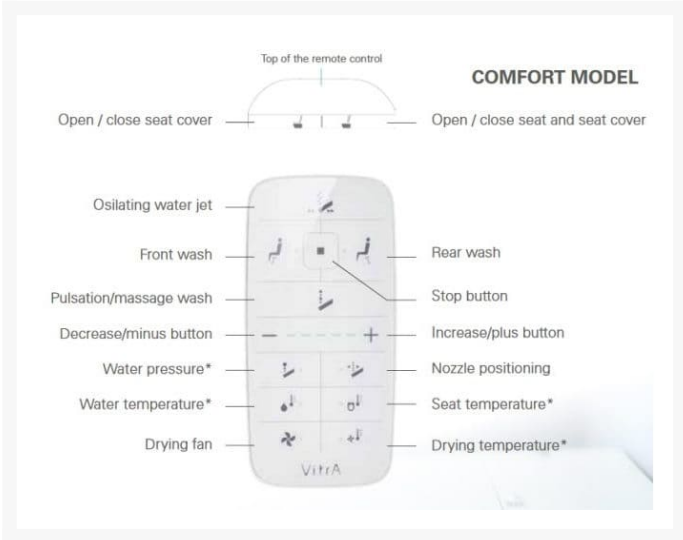
VitrA V-Care Comfort Wall-hung Shower Toilet

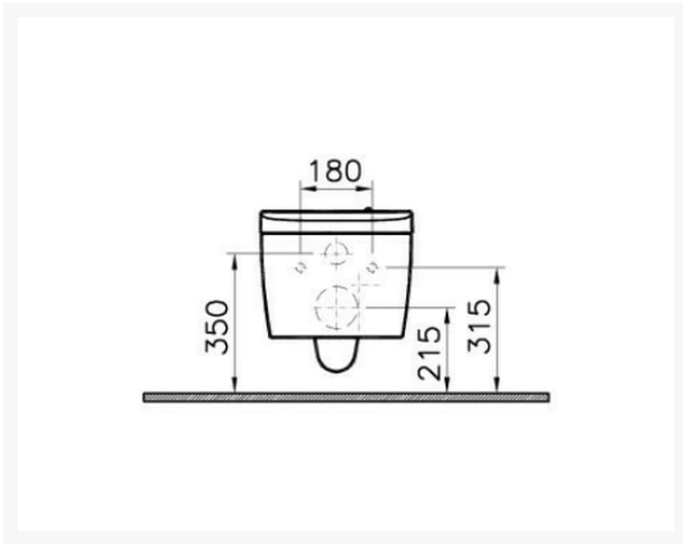
£3,024.00 Inc. VAT

Product Code: 5674B003-6104

Product Images







Description

The Vitra V-Care Comfort provides female and rear washing improving hygiene for all users, the comfort comes with additional features compared to the basic to provide extra comfort such as drying, oscillating and pulsating wash. Multi level adjustable settings give the user their ideal experience all easily control able from a simple to use remote.

User-friendly, the V-Care Smart WC Comfort is ideal for those who desire safety to be an important aspect since it comes with burn and freeze prevention alongside the ability to cut the electricity using the power switch located on the side.

Key benefits:

- Adjustable settings for user preference
- Improved personal hygiene - cleaning with water not paper
- Power saving mode
- Seat sensor prevents the seat functions from activating when there is no user
- Child mode that works even if the sensors do not sense the user
- When motion sensor is on automatically opens seat cover and closes after no movement is detected
- The user can turn on a motion sensor to automatically open and close the seat
- Deodorization automatically activates when the seat sensor sense a user
- Burn/Freeze prevention
- Nozzle ejection so the user can manually clean the nozzle
- The user can turn on/off the automatic deodorization
- LED light battery life indication on the remote
- Silent mode can be activated by pressing nozzle position and water pressure button
- Decalcification cycle
- Oscillating and pulsating wash
- Dryer for after washing

Technical details:

- Colour: White
- Weight load: 400kg
- Height (mm): 355

- Width (mm): 380
- Depth (mm): 600
- Horizontal outlet
- Bidet function: without bidet pipe
- Electric supply: AC 220/240v 50/60hz
- Maximum power consumption: 714 – 846W
- 5 adjustable nozzle levels available
- Needed water supply pressure: 0.069MPa – 0.735MPa
- Nozzle type: Motor operated on way (An integrated water way for rear washing and female washing)
- Water tank capacity: 760cc
- Water consumption: 720cc/min (480cc/40sec)
- Water heater power consumption: 641 – 763W
- Water pressure adjustment: 5 levels available
- Water temp adjustment: 6 levels available (Off, 32°C - 34°C – 36°C – 38°C – 40°C)
- Water safety equipment: Automatic resetting thermostat (50°C off and 40°C on) Thermal Fuse (53°C)
- Water safety equipment: Water level sensor and thermostat
- Drying temp adjustment 5 levels available
- Heater power consumption 200-238W
- Dryer Safety equipment: Resetting bimetal (105°C)
- Dryer Safety equipment: Thermal fuse (195°C)
- Seat heater capacity: 50 – 60W
- Heated seat safety equipment: Thermal fuse (72°C)
- Seat temp adjustment: 6 levels available (Off, 32°C - 34°C – 36°C – 38°C – 40°C)
- Low temperature burn prevention, Seat sensor (Electrostatic touch type)
- Remote: RF (2.4GHz) Type
- Electronic Damper Automatic opening/closing seat & seat cover
- Built-in circuit breaker (15mA within 0.1 sec)
- Power saving: 1 level available
- Power on/off: 2 available One turns on/off the other cuts off electricity completely
- Freeze protection turns on automatically when the temperature drops below 5deg;C
- Nozzle cleaning types : 2 available automatic cleanings before and after every use and manual cleaning
- Deodorization: Activated carbon filter

Manufacturer warranty:

- 2 year manufacture warranty - Seat & electrical cassette
- 10 year manufacture warranty - Ceramic

Please note:

- Due to the hygiene reasons and the custom nature of this item, this product is non-returnable

Additional Information

Manufacturer	VitrA
Brand / Model	VitrA / V-Care Comfort
Colour	White
Style / Type	Wall-hung WC
Max. Load (kg / St)	400 / 62.9
Technical Info.	Power Supply 220 - 240 AC, 50/60 Hz, Needed Water Supply Pressure: 0.069 Mpa - 0.735 MPa
Installed WC Pan Height (mm)	N/A (Wall Hung)
Flush Operation	Fixed Side Control Buttons, Remote Control
Seat Length (mm)	600
Seat Width (mm)	380
Technologies	Seat Sensor, Decalcification Cycle, Child Mode, Silent Mode, Motion Sensor On/Off, Deodorization On/Off, Power Saving On/Off, Burn/Freeze Prevention, Rear Wash Douche, Feminine Wash Douche, 5 Levels - Water Pressure, Remote Control, 6-Stage Water Temp Control (32 - 40°C), 5 Levels - Nozzle Position, 6 Levels - Seat Temp , Pulsating Spray, Oscillating Spray, Nozzle Ejection, Dryer - 5 Temp Setting , Control Buttons
Approvals	CE Mark, Kiwa Approved