



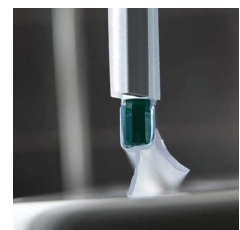
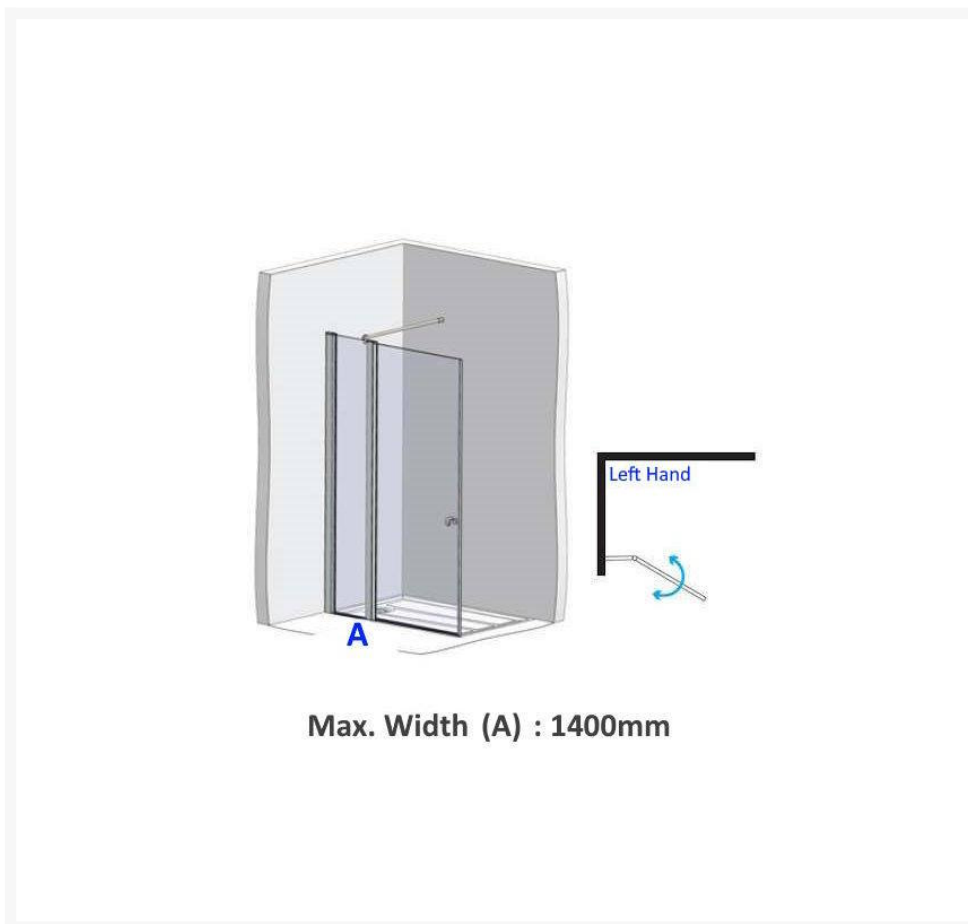
Independent 4 Life

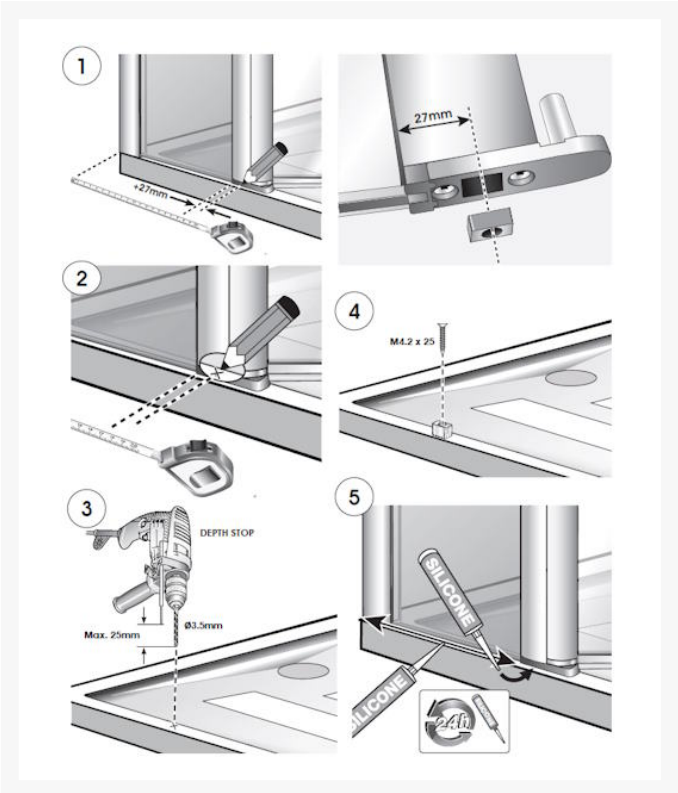
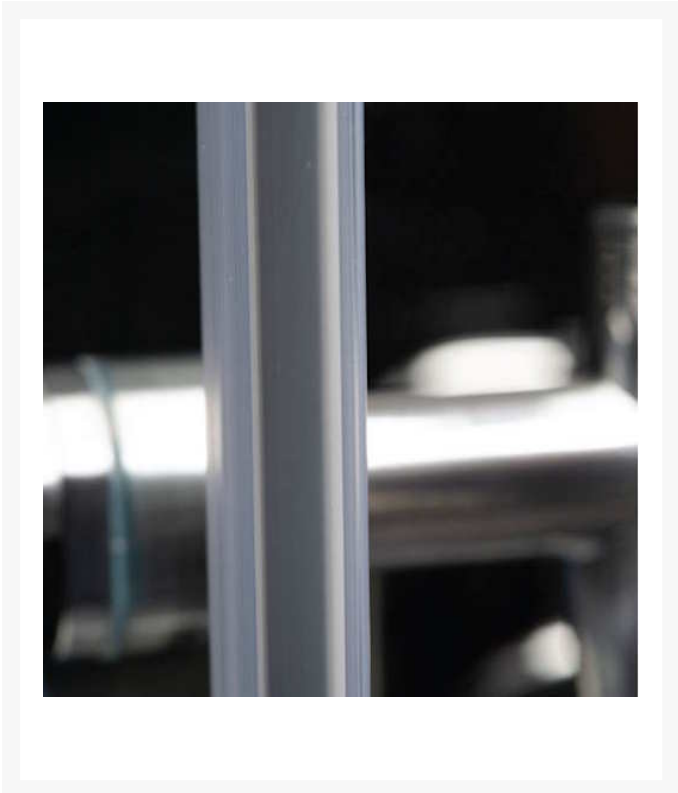
EASA Elegance LH Fixed Panel w/ Full Height Door - Custom Size (A) Min. 800, Max. 1400mm

£1,101.60 Inc. VAT

Product Code: L6L-WIDE

Product Images







Additional Options

Overall width of (A) left-hand fixed panel and door (min. 800, max. 1400mm)		£0.00
Total width of left-hand fixed panel (min. 300, max. 400mm)		£0.00
Wall profile compensator	Square - Shower Trays or Floor Tiles	£0.00
Type of door handle	Door Knob	£0.00
	Large Easy Grip Handle	£80.00
Installation type	Inline (Alcove)	£0.00
	Corner	£0.00
Optional - Upgrade to Privacy Glazing	Frosted Glass	£40.00

Description

The wider version of the L6L with a left-hand EASA 1900mm full height custom width fixed panel with a custom width door hung off the fixed panel.

The stylish design adds a touch of elegance and sophistication to the shower tray area. The doors are well-designed with 6mm thermally toughened safety glass, which is three times stronger than non-tempered

glass.

The and panel are manufactured from high-quality materials that are easy to clean and maintain with a glass anti-limescale coating.

EASA specialise in the design and manufacture of shower enclosures to suit those with disabilities, reduced mobility and multi-generational living.

The fixed panel and full door can be used on its own or configured with other EASA Elegance doors and fixed panels to create your own bespoke assisted easy access shower tray enclosure.

Key benefits:

- The glass is anti-limescale, for easier cleaning
- Adjustable wall profile
- The standard doorknob, can be upgraded to a large easy grip ergonomic handle
- Customisable total width (mm): 800-1400
- 100% recyclable

Components:

- 1x left-hand full-height custom width panel and door
- 6mm toughened safety glass
- A satin finish bracket secures the fixed panel to a shower tray
- 1x stainless-steel wall compensator, with chrome cover cap
- Includes a doorknob with a satin anodised finish
- Upgrade to an ergonomic handle
- Seals and gaskets reduce the risk of water leakage and ensure a watertight seal
- Water deflectors on the bottom of the door help to further mitigate water leakage
- The wall profile has a 180-degree door hinge
- Stainless-steel 1000mm fixed panel lateral support bar (cut to length)

Technical details:

- Overall total width of fixed panel and door (Min./Max. mm): 800 to 1400
- Door height (mm): 1900
- Wall compensator height (mm): 1920
- Wall profile adjustment for off plumb walls of +15mm to -24mm
- Fixed panel custom width (Min./Max. mm): 300 to 400
- Door custom width (Min./Max. mm): 500 to 1000
- Please contact us if you require a custom height
- Optional - Frosted toughened glass for increased privacy

Compatibility:

- Can be retro-fitted onto a shower tray with a 40mm flat perimeter
- Wall compensator for shower trays

Accreditations:

- EU Construction Products Regulation (EU) No 305/2011 (CPR)
- BS EN 14428: 2015 + A1: 2018 Shower Enclosures/Doors
- BS EN 12150-1: 2015 + A1: 2019 Glass in building. Thermally toughened soda lime silicate safety glass
- BS EN 12600: 2002 Glass in building. Pendulum test. Impact test method and classification for their flat glass

Warranties:

- Accessories have a two-year warranty
- Lifetime warranty against manufacturing and material defects, excluding normal wear and tear in general domestic applications
- The rubber door seals are not covered by the warranty

Please note:

- This full height fixed panel and shower door are custom made and **non-returnable**
- The minimum width (A) the "fixed panel" can be manufactured to is **300mm** and the maximum width is **400mm**
- The minimum width (A) the "door" can be manufactured to is **500mm** and the maximum width is **1000mm**
- Please ensure accurate dimensions are taken from tile face to tile face or
- The free width of the "flat perimeter" of your shower tray

Additional Information

Manufacturer	Easa Group
Height (mm)	1900
Shape	Full HT Fixed Panel & Door (Left)
Tray Size (mm)	Custom Shower Tray Size
Handing	Left Hand
Front - ADJ Size (mm)	Custom Size 500 to 1000
Fixed Front Panel Width (mm)	Custom Size 300 to 400
Door Entry Width (mm)	Custom Width
For Installation On	Shower Trays Only
Glass Thickness (mm)	6
Glazing	Clear - Toughened Safety Glass (TSG)
Finish	Chrome / Stainless Steel