



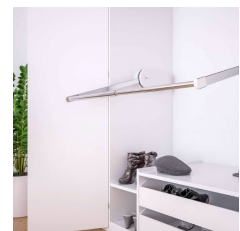
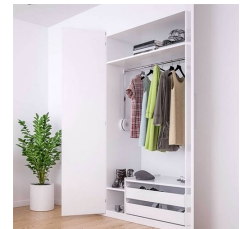
Independent 4 Life

Granberg Butler 720 Electric Wardrobe Lift, 1000-1600mm - Choose Colour & Controls

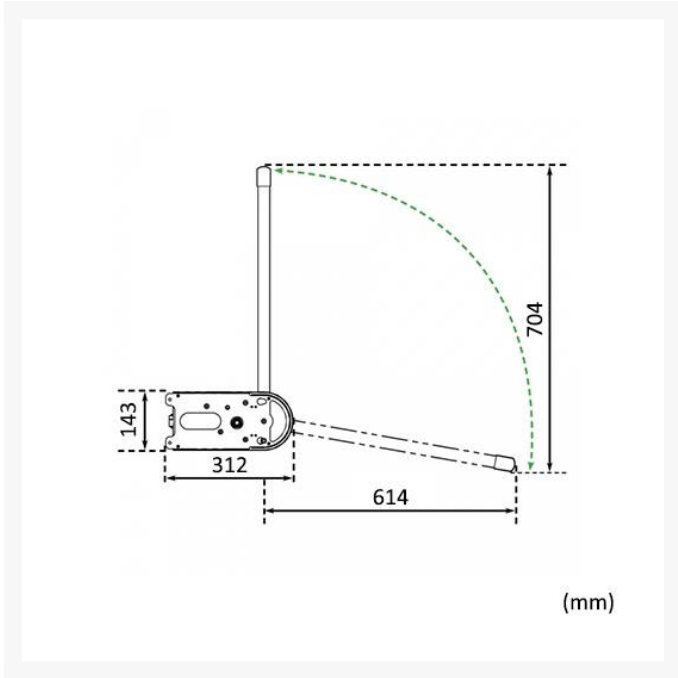
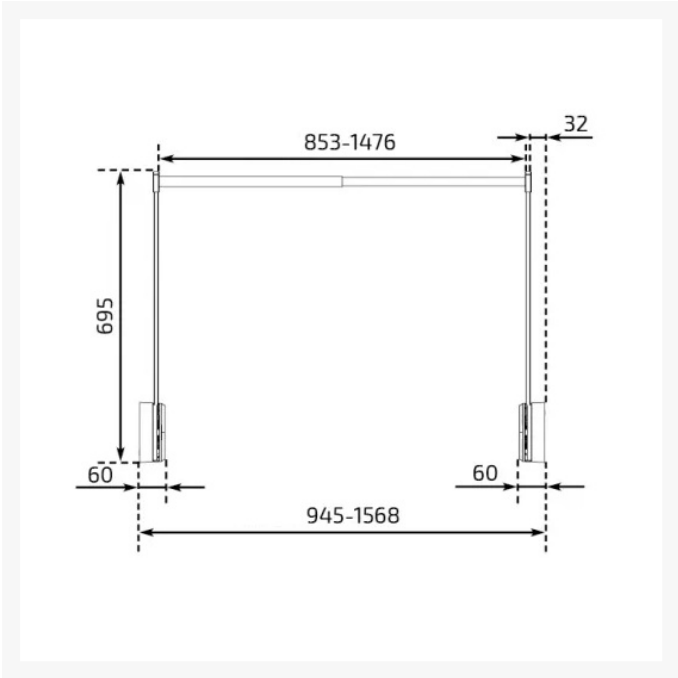
£2,495.64 Inc. VAT

Product Code: 720-100

Product Images



Grey, RAL 7035





Product Options

Finishes - Covers / Arms	Price Inc. VAT
Grey, RAL 7035 - Covers / Chrome Arms	£2,495.64
White, RAL 9003 - Covers / Chrome Arms	£2,601.48
Black, RAL 9005 - Covers / Chrome Arms	£2,601.48

Additional Options

Product Code / Control options	61251 / Recessed Corded Control Button, Alu-design, 5m Cable	£0.00
	61253 / White Corded Hand Control	£211.50
	61255 / Radio Remote Hand Control, 1x Lifting System	£211.50
	61251+61355 / Wired Alu-design Control Button, Extension Frame	£220.50

Description

The Butler 720 is an electric wardrobe lift which lowers the clothes rail downwards in an arc to a seated user. Stylish and discreet, the lift features quiet motors with hard wearing metal gears, ensuring a smooth and secure lifting operation. It also has a built-in safety stop feature, which prevents the lift's downward movement in the event of an obstruction.

Suitable for wardrobe widths of 1000-1600mm, the Butler 720 is available with either grey, white or black coloured motor covers and a choice of controls.

Key benefits:

- Electric wardrobe lift
- Mechanically lowers the clothes rail down to a comfortable height for a seated user
- Stylish and discreet design
- Very quiet motors with hard wearing metal gears
- Integrated safety stop - stops movement on collision
- Suitable for wardrobe widths of 1000-1600mm
- Telescopic hanging rail for internal wardrobe dimensions from 945-1568mm in width
- Internal telescopic rail dimensions from 853-1476mm in width

Includes:

- 1x Wardrobe lift
- 1x Control unit with 2 connection cables
- 1x Power supply unit with UK plug, 2m length of motor cable

Custom options:

Choice of motor cover trim colours:

- Cover of grey plastic RAL 7035, chromed steel arms and telescopic clothes rail
- Cover of white plastic RAL 9003, chromed steel arms and telescopic clothes rail
- Cover of black plastic RAL 9005, chromed steel arms and telescopic clothes rail

Choice of controls:

- Corded hand control
- Wired fixed Alu-design control button for recessing with 5m cable - requires 25mm clear depth for installation
- Wired fixed Alu-design control button with Extension frame for surface mounting with 5m cable -

www.independent4life.co.uk | info@independent4life.co.uk | Tel: 0800 500 3001 | VAT No: 942447711

EORI GB942447711000

protrudes 52mm

- Remote control for 1x Butler lifting system. If you are fitting more than one Butler, multi-channel remotes for up to 5 lifts are also available

Technical details:

- Height adjustment: Arc motion, steplessly adjustable 704mm downwards, 614mm outwards
- Speed (mm / sec): 47
- Electrical connection: Plug for 100-240VAC, 50/60hz, 2.0 A
- Lifting force (kg): 30
- Noise level (dB): 52
- Materials: Powder-lacquered steel parts, plastic cover, chromed clothes rod
- Delivered weight (kg): 12.5

Warranty:

- 2 year manufacturer warranty

Additional Information

Manufacturer	Granberg
Min. / Max. Load (kg)	0 / 30
For Wardrobe Width (mm)	1000-1600
Operation	Electric