



Independent 4 Life

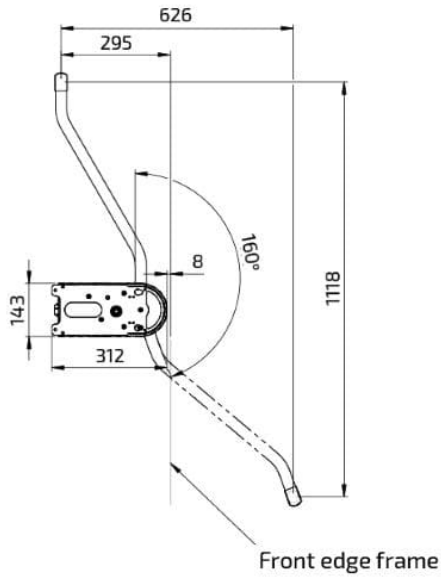
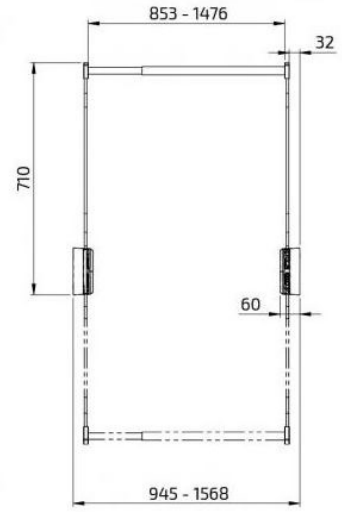
# Granberg Butler 722 High Level Electric Wardrobe Lift, 1000-1600mm - Choose Colour & Controls

£2,725.68 Inc. VAT

Product Code: 722-100

## Product Images







## Product Options

Finishes - Covers / Arms	Price Inc. VAT
Grey, RAL 7035 - Covers / Arms	£2,725.68
White, RAL 9003 - Covers / Arms	£2,830.44
Black, RAL 9005 - Covers / Arms	£2,830.44

## Additional Options

---

<b>Product Code / Control options</b>	61251 / Recessed Corded Control Button, Alu-design, 5m Cable	£0.00
	61253 / White Corded Hand Control	£211.50
	61255 / Radio Remote Hand Control, 1x Lifting System	£211.50
	61251+61355 / Wired Alu-design Control Button, Extension Frame	£220.50

## Description

---

The Butler 722 is an electric wardrobe lift which lowers a clothes rail down from a high level wardrobe to a comfortable height for a standing user.

This electric wardrobe lift has been designed to make use of redundant or inaccessible space at high level, ideal for rooms with limited space and retail applications.

Stylish and discreet, the lift features quiet motors with hard wearing metal gears, ensuring a smooth and secure lifting operation. It also has a built-in safety stop feature, which prevents the lift's downward movement in the event of an obstruction.

Suitable for wardrobe widths of 1000-1600mm, the Butler 722 is available with coloured arms and motor covers in either grey, white or black colours with a choice of controls.

### Key benefits:

- Electric wardrobe lift
- Mechanically lowers a clothes rail down from an overhead wardrobe space to a comfortable height for a standing user
- Stylish and discreet design
- Very quiet motors with hard wearing metal gears
- Integrated safety stop - stops movement on collision
- Suitable for wardrobe widths of 1000-1600mm
- Telescopic hanging rail for internal wardrobe dimensions from 945-1568mm in width
- Internal telescopic rail dimensions from 853-1476mm in width

### Includes:

- 1x Wardrobe lift
- 1x Control unit with 2 connection cables
- 1x Power supply unit with UK plug, 2m length of motor cable

### Custom options:

#### Choice of arm and motor cover trim colours:

- Cover of grey plastic RAL 7035, powder-lacquered arms RAL 7035, chromed clothes rod
- Cover of white plastic RAL 9003, powder-lacquered arms RAL 9003, chromed clothes rod
- Cover of black plastic RAL 9005, powder-lacquered arms RAL 9005, chromed clothes rod

### Choice of controls:

[www.independent4life.co.uk](http://www.independent4life.co.uk) | [info@independent4life.co.uk](mailto:info@independent4life.co.uk) | Tel: 0800 500 3001 | VAT No: 942447711  
EORI GB942447711000

- Corded hand control
- Wired fixed Alu-design control button for recessing with 5m cable - requires 25mm clear depth for installation
- Wired fixed Alu. design control button with Extension frame for surface mounting with 5m cable - protrudes 52mm
- Remote control for 1x Butler lifting system. If you are fitting more than one Butler, multi-channel remotes for up to 5 lifts are also available

**Technical details:**

- Height adjustment: Arc motion, steplessly adjustable 1118mm downwards, 626mm outwards
- Speed (mm / sec): 47
- Electrical connection: Plug for 100-240VAC, 50/60hz, 2.0 A
- Lifting force (kg): 30
- Noise level (dB): 52
- Materials: Powder-lacquered steel parts, plastic cover, chromed clothes rod
- Delivered weight (kg): 12.5

**Warranty:**

- 2 year manufacturer warranty

**Additional Information**

---

Manufacturer	Granberg
Min. / Max. Load (kg)	0 / 30
For Wardrobe Width (mm)	1000-1600
Operation	Electric