



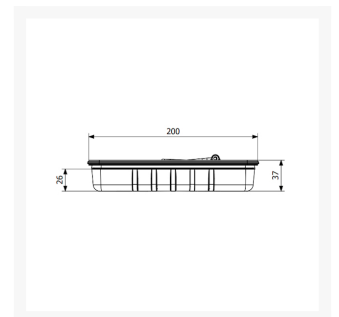
Independent 4 Life

Purus Water Trap Purusline NOOD Low 52mm

£41.12 Inc. VAT

Product Code: 53480

Product Images



Description

The Purus water trap, NOOD low is great for maintaining infection control and preventing foul odours with the mechanical spring-loaded bowl closing when there is no water supply.

Comes with a steel wire handle and is easily removable from the floor drain for easy cleaning.

Standard in the low-rise floor drains in the design series Purusline Vinyl Plus, Purusline DK and Purus Living

UK.

Technical details:

- Mechanical odour prevention
- Odour prevent works even if the lock dries out
- Withstands dehydration
- Suitable for environments with non-existent or little water supply for a longer
- Removable for ease of cleaning
- Steel wire handle
- Colour: Grey
- Material: PP
- Overall length (mm): 200
- Depth of waste insert (mm): 26
- Overall height (mm): 37
- Included with standard in the low-rise floor drains in the design series Purusline Vinyl Plus, Purusline DK and Purus Living UK

Compatible with Product Codes:

- 52739, 52745, 52742, 52748, 53304, 53310, 53316, 53322, 53328

Additional Information

Manufacturer	Purus
Waste Diameter (mm)	200