



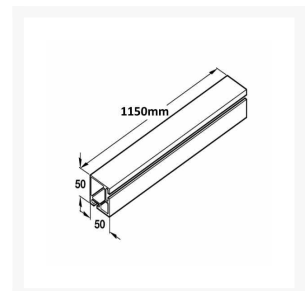
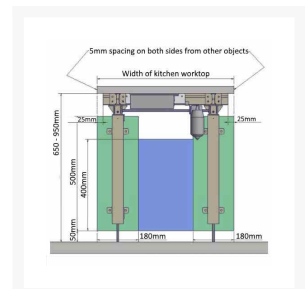
Independent 4 Life

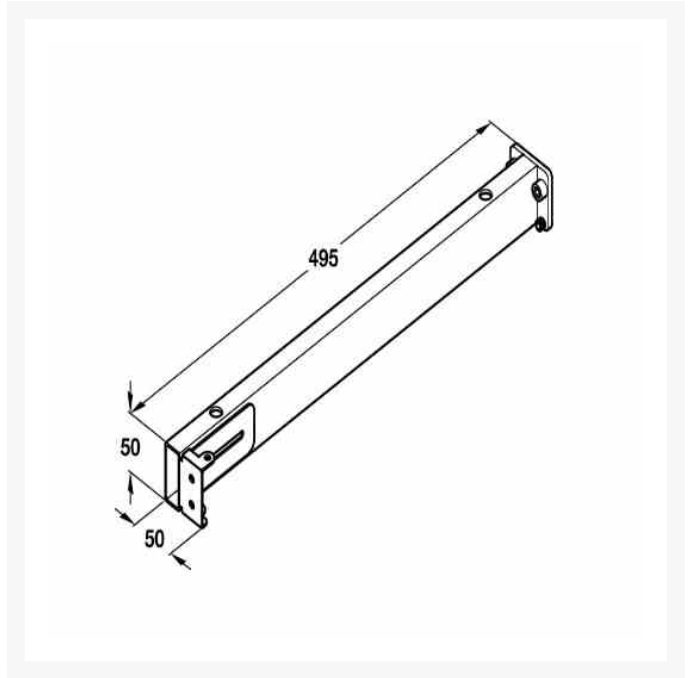
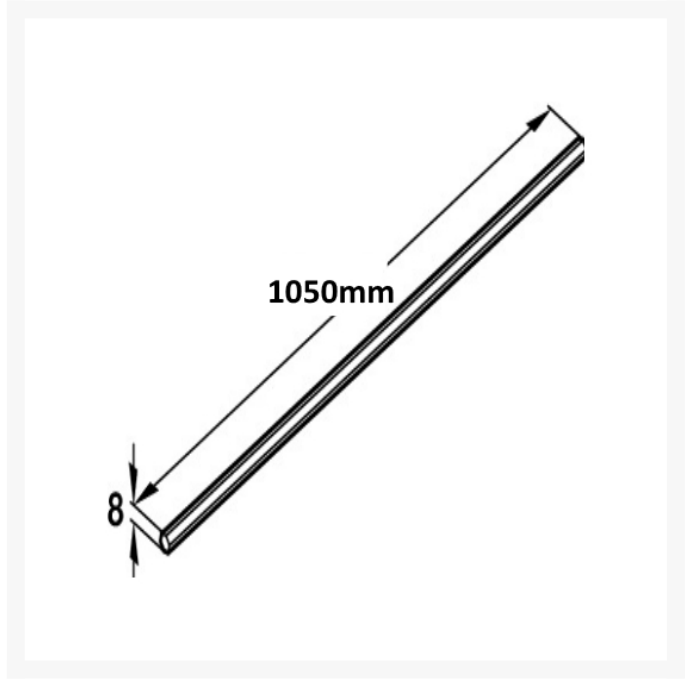
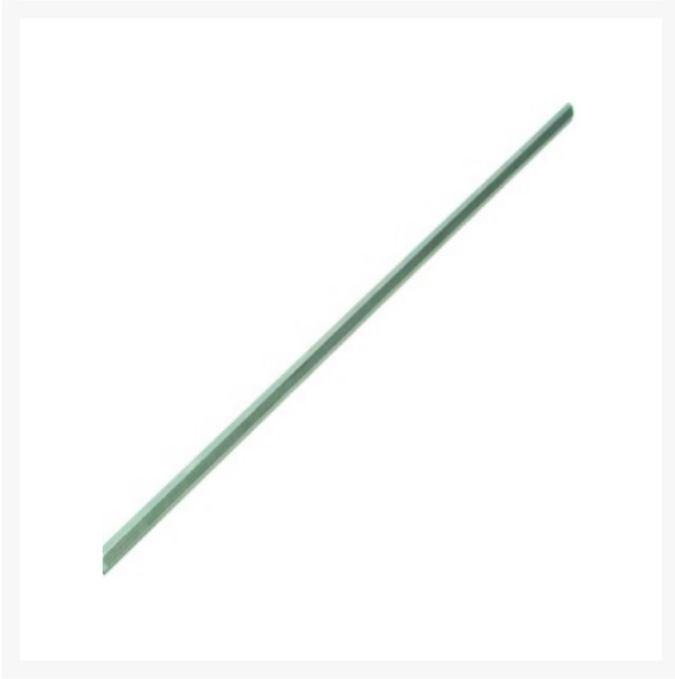
# Ropox FlexiManual Height ADJ Worktop Frame Assembly 500-1200mm

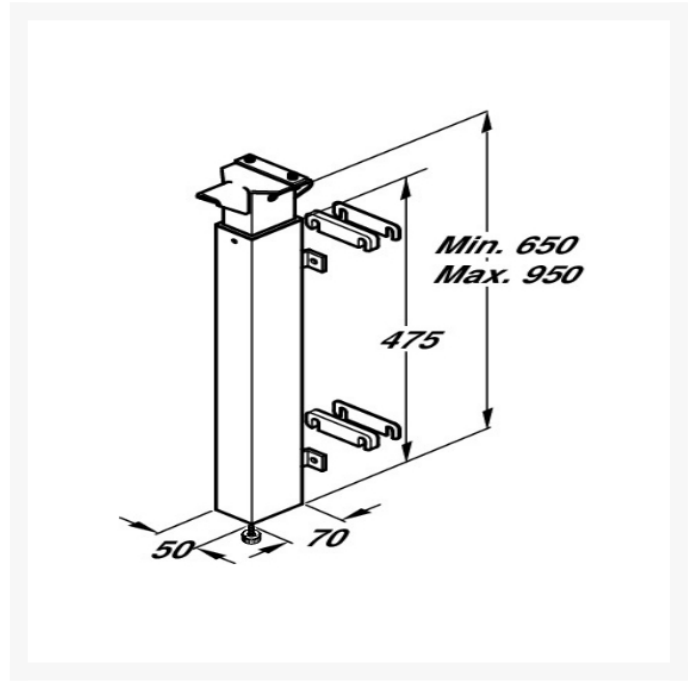
£1,765.70 Inc. VAT

Product Code: 4G4RMK1

## Product Images







## Description

---

Ropox self assembly FlexiManual rise and fall worktop frame with 650 to 950mm vertical height adjustment via a manual winding handle.

A cost effective way of purchasing this system compared to the ready assembled units, they are non-handed, allowing you to choose the location of the winding handle upon assembly.

- Ideal for single person use of the kitchen where occasional adjustment is required
- Economical alternative to the electric system
- Suitable for installing an insulated shallow bowl kitchen sink with a flexible plumbing kit
- 150kg maximum load - evenly distributed

- Standard RAL 9010, matt white
- 300mm Manual adjustment via winding handle
- Frame vertically height adjustable from 650 - 950mm

**Kit includes:**

- 1x Wall Bar Profile (1150mm length) and Spindle (1050mm length)
- 2x Support Legs
- 2x Support Arms
- 1x Winding Handle Assembly and Winding Handle - can be installed in desired position upon assembly

**Available separately:**

- Support feet - to be used if the supporting wall is of insufficient strength
- Height adjustable leg covers - for use with or without support feet
- FlexiCorner Bracket Set - joins 2x Flexi height adjustable worktop frame assemblies together

**Please note:**

- The wall bar and spindle will have to be cut to your required length - the wall bar profile should be 50mm shorter than worktop length
- Worktop, wall fixings and front fascia for mounting on the support arms are not included

**Warranty:**

- 1 year manufacturer warranty

## Additional Information

Manufacturer	Ropox
Mounting / Model	Wall / FlexiManual
Max. Load (kg / St)	150 / 23.5
Method of Operation	Manual - Winding Handle
Height Adjustment (mm)	300
Mounting	Wall Mounted, Floor - Optional Feet